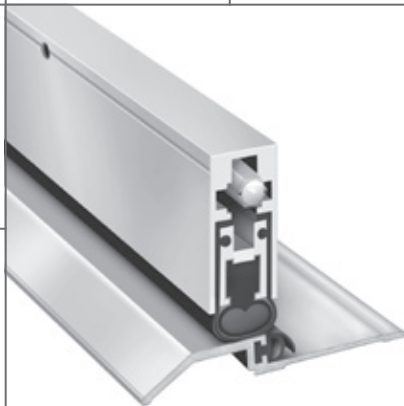
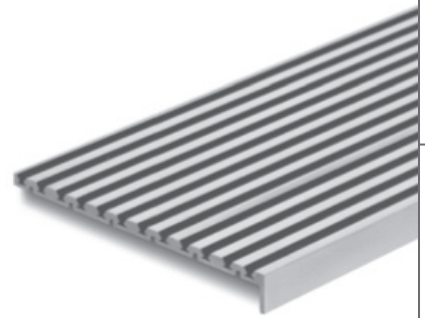




Price book 5

Effective April 4, 2020 • Rev 10/20



This price list supersedes and cancels all previous price lists. Prices shown are subject to change without notice.

Administrative Offices

Allegion Administrative Office
11819 N. Pennsylvania St.
Carmel, IN 46032
allegion.com/us

Placing orders

You can place orders with Allegion via the fax numbers or emails listed below:

Zero International
Fax#: 1-800-851-0000
Email: Allegion_Orders@allegion.com

Mechanical Locks & Key Systems
Fax#: 1-800-452-0665
Email: Allegion_Orders@allegion.com

FastTrack
Fax#: 1-800-288-4242
Email: Order_Fasttrack@allegion.com

Customer Care

Our Customer Care Representatives are available for questions or assistance.

You can reach the Zero International customer care team at **800-635-5335**.

You can contact Allegion customer care at **877-671-7011** (Press 1 for Sales Support | Press 2 for Product Support | Press 3 for RSO) or through the email addresses listed below:

Sales Support

support@allegion.com

Technical Product Support

Zero Accessories

Accessories_TechProdSupport@allegion.com

Request for Quote

Carolinas

(North Carolina, South Carolina, Virginia)
Carolinas.Quotes@allegion.com

Central

(Arkansas, Illinois, Iowa, Kansas, Missouri, Nebraska, Oklahoma)
Central.Quotes@allegion.com

Chicago

(Illinois-Northern, Wisconsin)
Chicago.Quotes@allegion.com

Florida

Florida.Quotes@allegion.com

Great Lakes

(New York, Pennsylvania)
GreatLakes.Quotes@allegion.com

Metro New York

Metro.Quotes@allegion.com

Michigan

Michigan.Quotes@allegion.com

Mid Atlantic North

(New York, Pennsylvania)
Mid.Atlantics.north.quotes@allegion.com

Mid Atlantic South

(Delaware, Maryland, New Jersey)
Mid.Atlantics.south.quotes@allegion.com

Midwest

(Indiana, Kentucky, Ohio, West Virginia)
Midwest.Quotes@allegion.com

Mountain States

(Colorado, Idaho, Montana, Nevada, Utah, Wyoming)
Mtn.States.Quotes@allegion.com

New England

(Connecticut, Main, Massachusetts, New Hampshire, Rhode Island, Vermont)
NewEngland.Quotes@allegion.com

North Central

(Minnesota, North Dakota, South Dakota)
NorthCentral.Quotes@allegion.com

Northern California

NoCal.Quotes@allegion.com

Northwest

(Alaska, Oregon, Washington)
Northwest.Quotes@allegion.com

South

(Alabama, Georgia, Louisiana, Mississippi, Tennessee)
South.Quotes@allegion.com

Southern California

(California-Southern, Hawaii)
SoCal.Quotes@allegion.com

Southwest

(Arizona, New Mexico)
Southwest.Quotes@allegion.com

Texas

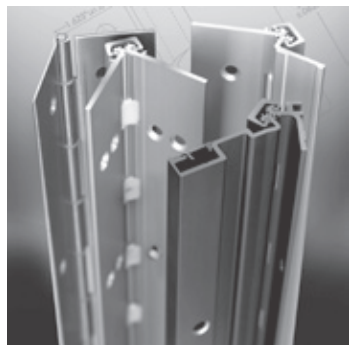
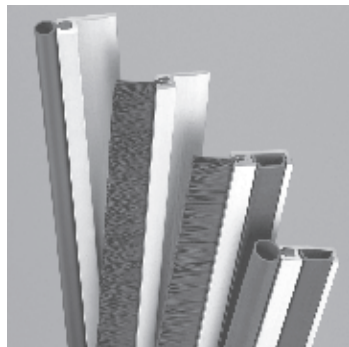
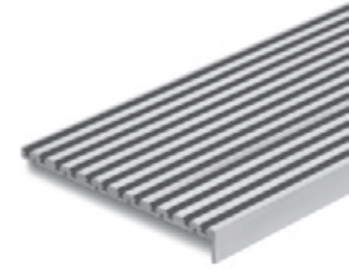
Texas.Quotes@allegion.com

Supersedes all previous lists.
Subject to change without notice.



"When Nothing Else Is Good Enough For Long Enough"

Since 1923



MINIMUM CHARGE:

\$50.00 Net. Surcharge may apply. Material charged to next stock size.

CLAIMS:

All claims for shortage or improper filling of order should be made within 10 days of receipt.

RETURNS:

No returns accepted without prior authorization. Returns should be made within 30 days of authorization, freight prepaid, 45% restocking and handling charge will apply. Returns made after 30 days from date of delivery will receive a credit to their account to be applied to future orders. Nonstandard and specialty fabricated items are not returnable.

CANCELLATION CHARGE:

20% If order is fabricated and packed.

TERMS:

Payable in U.S. Currency.
Material charged to next stock size.
All prices are F.O.B. factory.

GUARANTEE:

One year against defects in material or workmanship. Defective material will be replaced, however, no back charges for damage incurred or work done thereon will be allowed.

WARRANTY:

The following is made in lieu of all warranties, express or implied, including warranties or merchantability and fitness for a particular purpose: Purchase or use of this product constitutes an agreement with Seller and Manufacturer that, if this product proves to be defective or in any way unsuitable, Seller's and Manufacturer's limit of liability for all damages, including but not limited to incidental or consequential damages, and User's or Purchaser's exclusive remedy, regardless of legal theory, including theories of breach of warranty, negligence and strict liability, shall be to receive, at Seller's or Manufacturer's option, repair of the defective product, an equivalent quantity of replacement product or a refund of the purchase price.

■ Main Office And Manufacturing

ZERO INTERNATIONAL

2720 Tobey Drive, Indianapolis, IN 46219

Phone: 877-671-7011

Fax: 800-851-0000

E-mail: support@allegion.com

us.allegion.com

TERMS & CONDITIONS

Allegion General Terms and Conditions of Sale and Service

1. GENERAL/ACCEPTANCE. (a) This Agreement contains the only terms and conditions by which Company will quote and sell Deliverables to Customer; (b) The terms "purchase order" or "order" for the purposes of this Agreement include the term "request for quotation," as appropriate; (c) This Agreement supersedes all pre-printed or boilerplate terms and conditions set forth in any purchase order issued by Customer; (d) No reference herein to Customer's purchase order will in any way incorporate different or additional terms and conditions, all of which Company hereby expressly objects to; (e) **ANY ACCEPTANCE BY COMPANY OF CUSTOMER'S PURCHASE ORDER IS EXPRESSLY CONDITIONED ON THE CUSTOMER'S ASSENT TO AND ACCEPTANCE OF THE TERMS AND CONDITIONS CONTAINED IN THIS AGREEMENT;** (f) Company reserves the right to decline any order, in whole or in part, for any reason.

2. ORDERS.

a. **Order Processing.** When Customer wishes to place an order for Deliverables, it will deliver to Company a purchase order. All such purchase orders must (i) be in a written format acceptable to Company, (ii) be legible, (iii) include a purchase order number, (iv) include Customer's account number, invoice address, ship to address, shipping method, shipper's letter of instruction for international shipments, part number, pricing, and designated contact information, (v) include, if applicable, any special configuration ID numbers, necessary programming information, special factory instructions, and requested specifications regarding a particular finish, handing, design, backset, or strike, (vi) reference any applicable pricing discounts under an ongoing buying program or based on a written quote from Company, along with the applicable buying program number or quotation number, and (vii) not combine buying program and quoted product on the same order.

b. **Minimum Orders.** In the event the order value does not meet any required minimum net Deliverable value, Company may, at its sole discretion, (i) increase the quantity of items in the order to meet the minimum net Deliverable value requirement; (ii) apply a minimum order charge; (iii) reject the order, or (iv) waive the requirement, provided that the waiver of a requirement for one order shall not constitute a waiver of the requirement for any future orders.

c. **Acceptance of Purchase Orders.** Company will endeavor to (i) acknowledge receipt of each purchase order issued in accordance with this Agreement, and (ii) notify Customer whether Company accepts or rejects the purchase order. If Company fails to accept or reject a purchase order within a reasonable time period, such failure to respond will be deemed a rejection of the entire order. Orders that combine buying program and quoted product on the same order will be routed back to your local RSO office in order to review subject purchase order.

d. **Changes to Order/ Cancellation of Orders.** Additional terms and conditions regarding order changes and cancellations are available on the Allegion customer website, **WHICH TERMS ARE EXPRESSLY INCORPORATED HEREIN BY REFERENCE.** Unless otherwise provided herein, Customer acknowledges that (i) requesting a Change Order may cause a delay in the scheduled shipment date, a longer lead time or result in a new scheduled shipment date; (ii) Orders may not be changed after 48 hours of Company's order acknowledgment; (iii) After 48 hours of Company's order acknowledgment, all changes to an accepted purchase order will be subject to a Change Order charge of 25% of the net Deliverable value, plus the cost of labor and fabrication or raw material that Company incurred prior to the receipt of the Change Order from Customer, or that may be required due to the Change Order; (iv) the requested change may result in additional charges for labor, fabrication, and raw material, and (v) if Customer cancels an order or portion of an order that includes Deliverables that have been manufactured and prepped for shipping, a 45% restocking fee will apply. Notwithstanding the foregoing, Customer cannot change or cancel credential orders, reader orders, biometrics orders or any non-cataloged, special, custom or nonstandard items once they have been placed. All cancelled orders for a Non Recurring Expense (NRE), credential orders, reader orders, biometrics orders, and/or Custom orders will be subject to a cancellation charge of 100% of the acknowledged price.

e. **Add-ons.** Add-on orders will not be accepted. Additions to orders will be entered as separate stand-alone orders and must qualify for all terms of sale, including discounts, on an individual basis.

f. **Fast-Track Orders.** No changes or cancellations will be accepted on the 24-Hour Fast Track Program. For 3-day Fast Track orders, changes and cancellations may only be requested by Customer within 24 hours of Company's order acknowledgment if the order has not shipped. For 5-Day Fast Track orders, changes and cancellations may only be requested by Customer if the order has not shipped and if the request is made to Company within 48 hours of Company's order acknowledgment. Return Material Authorization (RMA) for Deliverables must be processed through Fast Track Customer Service.

g. **Steelcraft Orders.** For all Steelcraft orders, changes or cancellations are allowed without penalty only if made within 48 hours of Company's order acknowledgment, and provided that the order has not shipped. Some exceptions do apply – please consult the factory. Changes are not allowed on Rapid Program orders after the order has been entered and acknowledged. After 48 hours of Company's order acknowledgment, all changes or cancellations are subject to a charge of 25% of the order. Unless otherwise specified by Company in writing, any changes to orders acknowledged by Company that affect the delivery date will be deemed a new order and will require acknowledgment by Company as provided in this Section. Additional products, features, terms and conditions regarding the Rapid Program are available on the Allegion customer website, **WHICH TERMS ARE EXPRESSLY INCORPORATED HEREIN BY REFERENCE.**

3. PRICES, INVOICES AND PAYMENT.

a. **Prices.** The prices in Company's Price Book are subject to change at any time, without notice to Customer. Company may charge Customer additional amounts if Customer requests special packing, marking, shipment, product modification, or engineering services. Oral prices specified by Company are null and void. Quote numbers must be referenced on Customer's purchase order in order for the Company's quoted pricing to apply. Orders that do not reference a quote number will receive buy program pricing or book net pricing. Quoted prices are for those specific products quoted for a specified job, and are subject to the Price Book in effect at the time Company receives the order.

b. **Taxes.** Prices do not include any present or future federal, state or local property, license, privilege, sales, use, excise, gross receipts or other like taxes or assessments which may result from transactions or any services performed in connection therewith. Any taxes, charges, or duties imposed by any governmental authority on the sale of Deliverables will be paid by Customer, in addition to the selling price specified by Company. Credits for U.S. sales tax applied to invoices will only be granted if valid exemption documentation is provided within 30-days of the invoice date and a case is initiated by customer service. Exemption documentation may be emailed to sales.tax.certificates@allegion.com, this e-mail address cannot be used to request a credit for sales tax charged all such requests must be made with customer service. All certificates sent to the e-mail address must include the following information: (1) Customer account number(s); (2) Customer name; and (3) Allegion brand(s) the certificate should be applied to.

c. **Payment Terms.** Company will deliver to Customer an invoice with each shipment of Deliverables hereunder. Customer will pay all invoiced amounts within 35 days of the invoice date (subject to any early pay discounts that may be offered to Customer by Company in its sole discretion). Customer will make all payments in United States dollars. Past due invoices will be subject to a late payment service charge of 1.5% per month on any overdue unpaid balance, equivalent to 18% per annum, or the maximum rate permitted by law, whichever is less. Customer shall reimburse Company for all costs of collection, including, without limitation, reasonable attorneys' fees, for any overdue amount owed by Customer to Company, and such collection costs shall also be subject to interest charges.

4. QUOTATIONS.

a. **Project Quotations.** Project or new construction quotes are restricted to the specific project quoted for the quantities, finishes, and series of Deliverables referenced on the quote. Company reserves the right to require proof of sale of Company products for any quoted project.

b. **Stock Quotations.** Deliverables fulfilling stock quotations may only be used for the following: (i) Stocking of the Customer's shelves for small, quick-turn, discretionary projects, or (ii) Sale to a general contractor or installer for new construction. Stock quotations may not be used for any project containing any Company non-substitution, specified products. Deliverables purchased under Stock Quotations cannot be redistributed to other Customer branch locations or re-sold to other resellers or used for aftermarket sales, end-user annual contracts or sold over the counter to any walk in trade.

c. **General.** All quotes are subject to this Agreement, unless otherwise specified by Company, and are subject to change at any time prior to Company's acceptance of a purchase order referencing the applicable quote number. Company, its representatives and employees reserve the right, in their sole discretion and for any reason, to refuse a Customer's request to quote a price other than the standard list price, regardless of whether Company or its representatives or employees have previously quoted discounted prices to the Customer on some or all of its orders. Customer's failure to comply with this Section 4 will be considered a material breach of this Agreement, and will entitle Company to immediately terminate any purchase orders and/or Customer's ability to distribute Company's products.

5. SECURITY INTEREST. Customer grants Company, and Company retains, a purchase money security interest and lien on any and all of Customer's rights, title and interest in each Deliverable sold by Company to Customer, wherever located, until the invoice for the applicable Deliverable(s) is paid in full, including any late charges and costs of collection. Customer authorizes Company to, and will assist Company in, taking all necessary steps to perfect and maintain Company's interest in such Deliverables.

6. CREDIT TERMS. Unless Customer pre-pays all of its purchase orders in advance, its purchase orders will be subject to the credit limit and other terms of credit ("Credit Terms") set forth in Company's credit application, which Credit Terms Customer acknowledges are subject to change by Company at any time. Company reserves the right to request payment in advance of shipment or any order or to request adequate assurances for Customer's payment of an order and may withhold or stop shipment, without any liability to Company, until Customer submits payment or adequate assurance of payment.

7. RESALE OF DELIVERABLES. Customer agrees and warrants that it will offer Company products in support of Company-written specifications and will maintain sufficient inventory to adequately support End Users, installers, and/or general contractors' needs. Company may implement an MSRP or a resale pricing programs at any time in its sole discretion. Failure to comply with such program(s) will be considered a material breach of this Agreement, and will entitle Company to immediately terminate any purchase order and/or Customer's ability to distribute Company's products. Customer shall, at its own expense, gain and maintain sufficient knowledge of the industry and products competitive with Deliverables so as to be able to (a) explain in detail to End Users, installers, and/or general contractors the differences between the Deliverables and competing products, (b) ensure that an adequate number of trained, capable and qualified technical personnel with sufficient knowledge of the Deliverables and who have obtained all necessary licenses and permits are available to assist End Users, installers, and/or general contractors, and (c) respond to such End Users, installers, and/or general contractors with respect to the general operation and use of the Deliverables including, but not limited to, (1) acting as a liaison between the End Users, installers and/or general contractors and Company in matters requiring Company participation, (2) providing general product information and configuration support on standard protocols and features, (3) collecting relevant technical problem identification information, and (4) posting and distributing any warranty information concerning the Products in accordance with Company's instructions. Customer is responsible for all service and support resulting from the re-sale of any Deliverable to End-Users, installers and/or general contractors, examples of which may include, but are not limited to, support activities such as installation, initialization, software set-up, training, trouble-shooting, technical support and field service. In the event Customer is unwilling or unable to perform said support activities, Company reserves the right to recover from Customer any and all expenses incurred by Company to resolve the afore-mentioned End-User, installer and/or general contractor issues. Technical product training is recommended for Customer in order to fully service and support Deliverables purchased from Company that are resold to End-Users, installers and/or general contractors.

8. DEFAULT. If Customer is in default of payment or otherwise with respect to any purchase order or other contract with Company, Company shall have the right, in addition to all other legal remedies and without prejudice to any of its right hereunder, to defer further shipments under that or any other purchase order until such default is corrected and to declare all outstanding bills of Customer to be immediately due and payable.

9. INSPECTION AND DELIVERY.

a. **Inspection.** Customer will inspect all Deliverables immediately after receiving them. Customer will be deemed to have accepted the Deliverables unless Customer notifies Company in writing of any nonconformance within 10 days of delivery and provides Company written evidence reasonably documenting that nonconformance. Inspection of Deliverables at Company's facility is not permitted.

b. **Delivery.** Delivery schedules for Deliverables are based upon current production capacities, material or component availability, and inventory, and may be changed by Company as conditions require. Delivery schedules for services are based upon Company's prompt receipt of, and prompt access to, Customer's equipment and all information necessary to complete the services. In no event will any delivery date be construed as falling within the meaning of "time of the essence." Partial delivery shall be accepted by Customer and paid for at the price and on the terms stated herein. Any partial delivery shall constitute a separate sale, and payment shall be separately made when due. If any part of a delivery hereunder is not delivered by Company in accordance with Customer's purchase order, this Agreement shall not be affected thereby.

10. TITLE & RISK OF LOSS. Unless otherwise specified by Company, (i) where the Customer is located in the United States, all Deliverables will be sold "Uniform Commercial Code, FOB Origin, Company's factory"; and (ii) where the Customer is located outside of the United States, all Products will be sold "Ex-works, Company's factory (Incoterms 2010)." In either instance, title and risk of loss will pass to Customer upon delivery to the carrier at Company's factory, provided, however, as set forth herein, Company shall retain a security interest in the Deliverables until full payment has been made therefore, and Customer agrees, upon request, to do all things and acts necessary to protect Company's interest by adequately insuring the Deliverables against loss or damage from any cause and to have Company named as an additional insured. Customer will promptly provide Company with a copy of the relevant certificate of insurance upon Company's request.

11. SHIPPING.

a. **Freight Charges.** Company will ship all Deliverables in accordance with Company's freight shipment guidelines, which are set forth on the My Allegion Portal ("Freight Shipping Guidelines"), **WHICH TERMS ARE EXPRESSLY INCORPORATED HEREIN.**

b. **Rush Charges.** Expedited order options are available as set forth in Company's Freight Shipping Guidelines.

c. **Packing and Marking.** Company will pack, mark, and ship Deliverables according to its standard procedures for shipment, unless the parties agree, in writing, that Company will comply with any special instructions provided by Customer. Special instructions may result in an increased price.

d. **International Shipments.** For all international orders, a Shipper's letter of instruction must be submitted in writing with the order. Failure to do so will result in the order being rejected. Complete adherence to this order requirement will be strictly enforced. Company will not be held liable for any charges resulting from delays due to lack of complete required information being supplied.

e. Once received by the Company, a purchase order cannot be combined with any other order to increase average order size as it relates to Company's Freight Shipping Guidelines. However, for orders placed under Company's FastTrack 24 Hour/5 Day Program (available for Schlage, Von Duprin, LCN and Glynn-Johnson products); ii) FastTrack 24 Hour/3 Day Program (available for Ives products); or ProExpress (available for specific product lines stated in the ProExpress price book for Falcon, Ives, Glynn Johnson, LCN, Schlage and Von Duprin products), the applicable brands or product categories may, subject to certain order requirements identified by Company, be combined on a single order to increase average order size used in Company's Freight Shipping Guidelines.

12. CLAIMS. All claims must be submitted in writing to Company as follows: (i) All claims for prices must be submitted within thirty (30) days from the date of invoice; (ii) All claims regarding Deliverable quantity or incorrect orders must be submitted within ten (10) days from the date of delivery; (iii) All claims for damage to Deliverables (while in the care, custody, and control of Company) must be submitted within thirty (30) days from the date of invoice; (iv) All claims for loss or damage to Deliverables while in the care, custody, and/or control of a carrier will be the responsibility of Customer, unless otherwise agreed by the parties.

13. PRODUCT CHANGES. Company's product policy is one of ongoing update and revision, and accordingly, Company reserves the right to change, without notice, the design of, or the process of manufacturing, the Deliverables covered by this Agreement.

14. PRODUCT USAGE LIMITATION. Customer agrees: (i) not to sell or use a Deliverable in any manner contrary to the manner in which the Deliverable is intended to be used; and/or (ii) not to modify the design of any Deliverable for use with another product without the prior written consent of Company.

15. PRODUCT RETURNS. Unless otherwise agreed by the parties in writing, Deliverables that are correctly furnished by Company per the purchase order may not be returned unless Customer receives written authorization from Company. If returns are authorized by Company, a return merchandise authorization ("RMA") number must be provided by Company. Deliverables identified under such RMA must be returned to Company within 90 days of issuance of the RMA. Such RMA number and any accompanying RMA documents, the original invoice number, and a written explanation for the return must be included with the returned Deliverables in order for Company to inspect and approve a credit for the return. **For warranty returns,** a credit in the amount of the original purchase price will only be issued if, after Company's receipt and inspection of the returned Deliverables, Company confirms, in its sole discretion, the defect is valid and approves the return. **For non-warranty returns/convenience returns,** in the event Company approves such a return, in its sole discretion, the following shall apply: (a) the total amount of Deliverables requested to be returned shall be a minimum of \$250.00; (b) a credit will be made to Customer's account in the amount of the original purchase price less freight and a handling charge of 45% of the net material on the original invoice; and (c) only Deliverables that are new, current, standard, non-obsolete, non-specially manufactured, unused, in their original condition as at the time of sale by Company to Customer, in their original packaging and in Customer's inventory less than 180 days from the date of shipment by the Company, and not ordered as part of a master key solution may be considered by Company for return. Such credit will only be issued if, after Company's receipt and inspection of Deliverables, Company approves the return. The amount of final credit will be determined upon receipt at the factory and following Company's inspection and analysis of the condition of the returned material. Company retains the right to deny credit to anyone for any reason.

16. CONFIDENTIAL INFORMATION.

a. **Non-Use And Non-Disclosure.** Customer shall not use the Confidential Information of the Company except for the purpose of performing its obligations under this Agreement or exercising the rights granted herein (the "Purpose"). Customer shall protect Confidential Information of the Company from disclosure and unauthorized use in the same manner that it protects its own Confidential Information, but in no event shall such standard of care be less than reasonable care. Customer may disclose Confidential Information of the Company only to its employees who require such information for the Purpose and who are subject to confidentiality obligations at least as protective as those set forth herein.

b. **Proprietary Information and Advice.** (a) All designs, data, and specifications provided by Company are proprietary and may not be disclosed or reused by Customer without the prior written consent of Company; (b) Company assumes no obligation or liability for any advice given by Company, the results obtained, or damages incurred as a result of such advice, and all such advice is given and accepted at Customer's risk.

c. **Return.** Upon the termination or expiration of a purchase order or this Agreement or upon the request of the Company, the Customer agrees to end all further use of, to immediately return to the Company the original version of, and to delete or destroy all copies of, any and all Confidential Information of the Company.

17. TRADEMARKS. Except as agreed to by Company in writing, Customer agrees not to (a) use Company's name in any form of publicity; or (b) use, create, register or market, directly or indirectly, in whole or in part, Company's names, logos, brands, or any other trademarks, or names that are now or may hereafter be owned by Company, as part of Customer's corporate or business name, as part of an internet domain name, uniform resource locator (URL), or in any way connected with Customer's business, trade address or other designations. Upon termination of this Agreement or upon the request of company for any reason, any use of Company's trademarks or names will be immediately discontinued.

18. LIMITED WARRANTY.

COMPANY MAKES NO OTHER WARRANTIES EXCEPT THOSE STATED IN COMPANY'S LIMITED WARRANTY IN EFFECT ON THE DATE COMPANY ACCEPTS EACH APPLICABLE PURCHASE ORDER ("LIMITED WARRANTY"). THE LIMITED WARRANTY MAY BE FOUND IN THE APPLICABLE PRICE BOOK AND ON THE ALLEGION CUSTOMER WEBSITE, WHICH TERMS ARE EXPRESSLY INCORPORATED HEREIN BY REFERENCE. COMPANY WILL MAIL CUSTOMER A HARD COPY OF THIS WARRANTY UPON CUSTOMER'S WRITTEN REQUEST. IN THE EVENT THAT CERTAIN DELIVERABLE WARRANTIES ARE NOT FURNISHED BY THE COMPANY TO CUSTOMER, COMPANY WARRANTS ONLY TO CUSTOMER THAT THE DELIVERABLES WILL BE FREE FROM DEFECTS IN MATERIAL AND WORKMANSHIP FOR A PERIOD OF 12 MONTHS FROM THE DATE OF SHIPMENT OF THE DELIVERABLES. COMPANY'S SOLE OBLIGATION UNDER THIS WARRANTY IS LIMITED TO REPAIRING OR REPLACING, AT COMPANY'S OPTION, THE DEFECTIVE DELIVERABLE, PROVIDED WRITTEN NOTICE OF THE DEFECT OR NONCONFORMANCE IS PROVIDED BY CUSTOMER WITHIN 30 DAYS OF DISCOVERY OF THE DEFECT OR NONCONFORMANCE. COMPANY DISCLAIMS ALL OTHER WARRANTIES, EXPRESS OR IMPLIED, WITH RESPECT TO THE DELIVERABLES, INCLUDING BUT NOT LIMITED TO, ANY IMPLIED WARRANTIES OF NON-INFRINGEMENT, MERCHANTABILITY, OR FITNESS FOR A PARTICULAR PURPOSE.

a. **Exclusions.** The provisions of this Limited Warranty do not apply to Deliverables that: (A) are not the proper size for the application; (B) are not installed in accordance with Company's published installation instructions; (C) are installed with improper or incorrect parts and/or are used for purposes for which they are not designed or intended; (D) have been repaired or altered without the Company's prior written consent; (E) have been subjected to misuse, abuse, negligence or accident; (F) have been improperly stored, installed, maintained or operated; (G) have been used in violation of written instructions provided by Company to Customer; (H) have been subjected to improper temperature, humidity, or other environmental conditions, or (I) have been affected by normal wear and tear. In addition, the provisions of this Limited Warranty do not apply to any defects or issues with the design or performance of equipment or products not manufactured by Company, nor does it apply to any code compliance or permit requirements for the assembly, installation, erection or construction of any goods. Company is not responsible for loss or damage resulting from use of Deliverables in conjunction with parts or systems not manufactured by Company. Accessories or products furnished by the Company, but manufactured by others, shall carry whatever warranty the manufacturers have conveyed to the Company and which can be passed to Customer.

b. **Services.** Company warrants that its services will be free from defects in material and workmanship for a period of 12 months from the date of completion of the particular items of service. Company's sole obligation under this service warranty is limited to repair or reperformance, at its option of the service, provided however, if repair or reperformance is either impractical or impossible, the Company will refund to Customer that portion of the price paid to Company for any defective service, provided written notice of the defect or nonconformance is provided by Customer within 30 days of discovery of the nonconformance.

c. **Notification.** Customer agrees to immediately notify Company in writing if any claim is made against Customer for any damages caused by any modules, parts, products, service or other Deliverables which may be the direct result of any defect in the manufacture of such aforementioned products. Customer agrees to cooperate with Company and its counsel in the defense of such claim and Customer agrees not to settle such claim without Company's written consent. If Customer fails to notify Company of such claim or fails to cooperate in such defense as aforesaid, then Company shall be discharged from any obligations under this Section and shall have no further liability to Customer.

d. **Exceptions.** The following costs and expenses are not covered by the provisions of these limited warranties: (i) labor costs for the removal and reinstallation of Deliverables or other manufacturer's products; (ii) shipping and freight expenses required to return Deliverables to Company; (iii) normal maintenance; and (iv) economic losses. In addition, the provisions of this warranty are not applicable to anything other than defects in Company's material (products only) or workmanship.

19. LIMITATION OF REMEDIES.

CUSTOMER'S EXCLUSIVE AND SOLE REMEDY ON ACCOUNT OF, OR IN RESPECT OF, THE FURNISHING OF NON-CONFORMING DELIVERABLES, SHALL BE TO (A) SECURE REPAIR OR REPLACEMENT OF THE PRODUCTS; OR (B) SECURE REPAIR OR RE-PERFORMANCE OF THE SERVICES OR TO OBTAIN A REFUND OF THE PRICE PAID FOR THE DEFECTIVE SERVICE, ALL AT COMPANY'S OPTION. IN NO EVENT WILL THE COMPANY'S MAXIMUM LIABILITY EXCEED THE SELLING PRICE FOR THE DELIVERABLE. THE WARRANTY, OBLIGATIONS AND LIABILITIES OF COMPANY (INCLUDING ITS SUPPLIERS) AND THE RIGHTS AND REMEDIES OF CUSTOMER ARE EXCLUSIVE AND ARE IN LIEU OF AND CUSTOMER HEREBY WAIVES AND RELEASES ALL OTHER WARRANTIES, OBLIGATIONS, REPRESENTATIONS OR LIABILITIES EXPRESS OR IMPLIED ARISING BY LAW, IN CONTRACT, TORT (INCLUDING NEGLIGENCE OR STRICT LIABILITY) OR OTHERWISE, INCLUDING BUT NOT LIMITED TO (I) ANY IMPLIED WARRANTY OF MERCHANTABILITY OR FITNESS FOR A PARTICULAR PURPOSE OR ANY WARRANTY IMPLIED THROUGH COURSE OF PERFORMANCE, COURSE OF DEALING, OR USAGE OF TRADE OR (II) CLAIMS ARISING OUT OF THE NEGLIGENCE OF COMPANY OR COMPANY'S SUPPLIERS OR (III) ANY OTHER CLAIM ARISING OUT OF, CONNECTED WITH, OR RESULTING FROM THE PERFORMANCE OF COMPANY OR FROM THE DESIGN, MANUFACTURE, SALE, REPAIR, LEASE OR USE OF THE DELIVERABLE, OR ANY COMPONENT THEREOF, DELIVERED OR RENDERED HEREUNDER OR OTHERWISE.

20. INDEMNIFICATION AND LIMITATION OF LIABILITY.

a. Customer shall indemnify, defend and hold Company, and its officers, directors, employees, customers, Affiliates, suppliers, users and agents, (collectively the "Indemnitees") harmless from and against any and all damages, claims, losses, expenses, costs, obligations, liabilities, including without limiting the generality of the foregoing, liabilities for court costs and attorneys' fees, suffered directly or indirectly by an Indemnitee by reason of, or arising out of any injury, death or loss to any person, or injury to any property (collectively, "Damages"), received or sustained by any person(s) or property, arising out of, occasioned by, attributable or related to i) any breach of any representation or warranty made by Customer, its officers, directors, employees, affiliates, users, agents, representatives or customers to Company or any third party, (ii) any failure by

TERMS & CONDITIONS

Customer to perform or fulfill any of its covenants, acts and/or omissions to Company or to any third party, or (iii) any litigation, proceeding or claim by any third party relating in any way to the obligations of Customer and/or the Deliverables sold by Company to Customer hereunder. Customer shall not consummate any settlement of any indemnified claim without the Indemnitees' prior written consent. Customer's obligation to indemnify Indemnitees will continue in full force and effect notwithstanding the termination or expiration of any order under this Agreement. In any claim against an Indemnitee by an employee of Customer or any subcontractor or anyone directly or indirectly employed by any of them or anyone for whose acts they may be liable, the indemnification obligations set forth in this Section shall not be limited in any way by or for Customer or any subcontractor under any applicable worker's compensation act, disability or other employee benefit act, or insurance coverage. This provision shall survive termination of any order or Agreement. **IN NO EVENT WILL COMPANY, ITS OFFICERS, DIRECTORS, EMPLOYEES, CUSTOMERS, AFFILIATES, USERS AND AGENTS, (NOR COMPANY'S SUPPLIERS) BE LIABLE FOR ANY INCIDENTAL, CONSEQUENTIAL, INDIRECT, SPECIAL, OR PUNITIVE DAMAGES OF ANY KIND OR NATURE UNDER ANY CIRCUMSTANCES INCLUDING, BUT NOT LIMITED TO, LOSS OF USE OF THE PRODUCTS, SERVICE INTERRUPTION, LOSS OF PROFITS, LOSS OF REVENUE, LOSS OF INTEREST, LOST GOODWILL, LOSS OF DATA, WORK STOPPAGE, IMPAIRMENT OF OTHER GOODS, LOSS BY REASON OF SHUTDOWN OR NON-OPERATION, INCREASED EXPENSES OF OPERATION, OR CLAIMS OF CUSTOMER'S CUSTOMERS, OR ANY OTHER LOSSES OR DAMAGES ARISING OUT OF ANY LACK OR LOSS OF USE OF THE DELIVERABLES WHETHER BASED ON CONTRACT, WARRANTY, TORT (INCLUDING, BUT NOT LIMITED TO, STRICT LIABILITY OR NEGLIGENCE), PATENT INFRINGEMENT, OR OTHERWISE, EVEN IF ADVISED OF THE POSSIBILITY OF SUCH DAMAGES.**

b) **INTELLECTUAL PROPERTY INDEMNITY.** Company makes no representation or warranty to the Customer that the Deliverables shall not infringe any intellectual property rights including, without limitations, claims arising from patent, copyright, trademark, trade secret, or other intellectual property infringement. Customer agrees to hold Company harmless from and defend the Company against any such claim of intellectual property infringement, including any Damages resulting from that claim, the cost of complying with any preliminary or permanent injunction, and all other costs of defense (including the attorneys' fees and costs), in connection with the foregoing.

c) To the extent that applicable law does not permit any limitations set out in this Agreement, such limitation shall not be applied or invoked. Nothing in this Agreement will be interpreted to disclaim liability of Company or the Indemnitees for gross negligence or willful misconduct. The limitations of remedy and liability herein shall not be interpreted to affect Company's obligations, if any, for claims for (i) property damage, (ii) personal injury, or (iii) wrongful death asserted by persons who are not parties to or beneficiaries of this Agreement. Further, the limitations of remedy and liability herein shall not be interpreted to limit Company's or Customer's right, if permitted by applicable law, to assert a claim for contribution among joint tortfeasors in connection with a claim by a person who is not a party to this Agreement.

21. CERTIFICATIONS. Certification of Deliverables for compliance with UL and ANSI standards are tested and performed by third-party independent laboratories. Any field modification or alteration of certified Deliverables will void certification and Company is not liable to Customer to certify any modified or altered Deliverable.

22. TERM FOR CLAIMS. NO ACTION ARISING OUT OF ANY CLAIMED BREACH OF THIS AGREEMENT BY COMPANY MAY BE BROUGHT BY CUSTOMER MORE THAN ONE (1) YEAR AFTER THE CAUSE OF ACTION HAS ARISEN.

23. CONSUMER PRODUCTS

WITH RESPECT TO "CONSUMER PRODUCTS" AS DEFINED UNDER THE MAGNUSON-MOSS WARRANTY ACT ("MMWA"), THE FOLLOWING STATEMENTS ARE MADE. (A) SOME STATES OR LOCAL LAWS DO NOT ALLOW LIMITATIONS ON HOW LONG AN IMPLIED WARRANTY LASTS, SO THE ABOVE LIMITATION MAY NOT APPLY TO YOU; (B) IF ANY IMPLIED WARRANTY IS PROVIDED UNDER THE MMWA, IT IS LIMITED TO THE DURATION OF THE WARRANTY PROVIDED IN SECTION 18 ABOVE. (C) SOME STATES OR LOCAL LAWS DO NOT ALLOW THE EXCLUSION OR LIMITATION OF INCIDENTAL OR CONSEQUENTIAL DAMAGES, SO THE ABOVE LIMITATION OR EXCLUSION MAY NOT APPLY TO YOU; AND (D) THIS WARRANTY GIVES YOU SPECIFIC LEGAL RIGHTS AND YOU MAY ALSO HAVE OTHER RIGHTS WHICH VARY FROM STATE TO STATE OR LOCATION TO LOCATION.

24. FORCE MAJEURE/EXCUSABLE DELAY. Any delay or failure of Company to perform its obligations hereunder will be excused to the extent that it is caused by an event or occurrence beyond Company's control such as, by way of example and not by way of limitation, acts of God, acts by any governmental authority (whether valid or invalid), governmental laws and regulations not presently in effect, fires, floods, windstorms, explosions, riots, natural disasters, wars, sabotage, accidents, labor problems (including, without limitation, lockouts, strikes, and slowdowns) at Company's facility, its source plant or their suppliers, inability to obtain power, material, labor equipment, or transportation, or court injunction or order. The delivery date will be extended for a time equal to that of the delay and the schedule for Company's performance will be deemed adjusted to that effect.

25. ENTIRE AGREEMENT AND AMENDMENT. This Agreement, together with the attachments, exhibits, webpages, or supplements specifically referenced and incorporated herein, constitute the entire agreement between Company and Customer with respect to the matters contained herein and supersede all previous communications, representations, or agreements, either oral or written between Company and Customer. No agreement or understanding varying or expanding this Agreement will be binding upon either party unless it is in writing and signed by a duly authorized representative of each party hereto.

26. CONFLICTS. In the event of any conflict or inconsistency between the terms of any agreement, or any part of an agreement or the various documents (including, but not limited to, electronic documents) between Company and Customer, unless the parties agree otherwise in writing, the various components of the agreements shall be given the following precedence (in descending order of precedence): a) any master agreement or long term agreement between Company and Customer; b) any specific terms, conditions and/or warranties of the individual products or Deliverables; c) the terms and conditions of this Agreement, and d) any purchase order.

27. UNSATISFACTORY CREDIT/TERMINATION FOR INSOLVENCY OR DEFAULT.

Customer shall furnish Company with statements evidencing Customer's financial condition as Company may, from time to time, reasonably request, and shall notify Company immediately of any and all events that may have a material adverse effect on Customer's business or financial

condition. If Company determines, in its sole discretion, that Customer's financial condition or creditworthiness is inadequate or unsatisfactory, then in addition to Company's other rights, Company may without liability or penalty, take any of the following actions: (i) modify the payment terms for any outstanding and/or future purchases; (ii) cancel any previously accepted orders; (iii) delay any further shipment of Deliverables to Customer; or (iv) any combination of the above.

Company may immediately terminate an order from Customer by giving written notice to Customer in the event of the happening of any of the following or any other comparable event: (i) insolvency of the Customer; (ii) filing of a petition in bankruptcy by or against the Customer; (iii) appointment of a receiver or trustee for the Customer; (iv) execution of an assignment for the benefit of creditors by the Customer, all of which will allow Company to demand reclamation of all affected orders; (v) Customer ceases or threatens to cease to trade; (vi) Company determines that Customer does not meet or no longer meets the credit requirements of Company or Customer's credit account is closed; (vii) any Customer violation of law, specifically including, without limitation, those laws set forth in this Agreement.

In the event of termination in accordance with this section, Company will not be obligated to accept any existing or additional orders from Customer and Company will be released from its obligation to deliver under orders accepted prior to such termination. The rejection or termination of any order by Company will not entitle Customer to any termination or severance compensation, or to any payment in respect to any goodwill established by Customer, or render Company liable for damages on account of the loss of prospective profits, or on account of any loss, expenditure, investment or obligation incurred or made by Customer.

No action taken under this Section 27 by Company (nor any failure of Company to act under this Section 27) will constitute a waiver by Company of any of its rights to enforce Customer's obligations, including the obligation of Customer to make payments as required under this Agreement. Upon termination of any order, all amounts owed by Customer to Company will become immediately due and payable, whether or not otherwise then due or payable.

28. CREDIT RISK ON RESALE OF DELIVERABLES. Customer is responsible for all credit risks with respect to, and for collecting payment for, all Deliverables sold to third parties (including End Users, installers, and/or general contractors) whether or not Customer has made full payment to Company for such Deliverables. The inability of Customer to collect payment for any Deliverable shall not affect Customer's obligation to pay Company for any Deliverable.

29. GOVERNING LAW; VENUE; AND EXPENSES. Any dispute or claim relating to this Agreement shall be governed by and construed according to the laws of the State of Indiana (excluding its conflict of laws principles); and not by the provisions of the 1980 United Nations Convention on the International Sale of Goods. Any disputes or claims shall be instituted and maintained in the courts of the State of Indiana. Customer consents to the exercise of jurisdiction over it by such courts and agrees that Indiana is not an inconvenient forum for any action arising from or relating to this Agreement. Customer agrees to pay for all expenses (including, but not limited to, collection costs, court costs and attorneys' fees) incurred by Company in enforcing the obligations of Customer under this Agreement.

30. RELATIONSHIP OF THE PARTIES. Nothing in this Agreement or any other document creates an employment, partnership, joint venture, or agency relationship between Company and Customer, including that of franchisee/franchisor. No party will have any power or authority to enter into any commitment on behalf of or otherwise bind the any other party on any matter. No employee of Customer will be deemed to be an employee of Company. If any provision of this Agreement is deemed to create a franchise relationship or business opportunity between the Parties, then Company may terminate any purchase order or this Agreement or the Parties shall negotiate in good faith to modify this Agreement so as to effect the original intent of the Parties as closely as possible in a mutually acceptable manner in order that the transactions contemplated hereby are consummated as a reseller agreement and not a franchise or business opportunity agreement.

31. SETOFF. Customer does not have the right to setoff or to back charge against any amounts which become payable to Company under this Agreement or otherwise. Company will not accept responsibility for backcharges for the cost of material or labor by Customer or any third party.

32. ELECTRONIC COMMUNICATIONS AND ELECTRONIC SIGNATURES. Both parties expressly agree to electronic transactions and acknowledge that documents they sign electronically will bind them to the same extent as a paper signature. Customer represents and warrants to Company that only employees authorized to bind Customer legally shall electronically sign any document under this Agreement. Customer shall comply with any method of electronic communication/payment processing specified by Company, including electronic funds transfer, pay-on-receipt processes/systems, order transmission, releases, electronic signature, and electronic communication systems, including, without limitation, the use of electronic data interchange ("EDI") portals. Notwithstanding the foregoing, e-mails, even those containing a signature block of one of Company's representatives, shall not constitute a signed writing.

33. COMPLIANCE WITH APPLICABLE LAWS.

a. General. Company and Customer will comply with all applicable federal, state and municipal laws, regulations, codes, ordinances and orders that pertain to the Deliverables, including but not limited to full compliance with any applicable provisions of The Health Insurance Portability and Accountability Act. Where the Customer is located outside the United States, or where the customer intends to ship the product outside the United States, the Customer shall be responsible for compliance with all U.S. export laws, and for filing all U.S. Electronic Export Information, as applicable.

b. The Customer acknowledges and agrees that: (i) it shall not violate applicable laws and regulations in performing its duties under this Agreement; (ii) it does not and shall not engage in any conduct that shall violate any applicable anti-bribery or anti-corruption laws or regulations; (iii) it (and its owners, officers, directors, employees and agents) shall not pay, offer, promise or authorize the payment of, either directly or indirectly, anything of value (including but not limited to cash, gifts and entertainment) to (a) any government official or employee of any government; (b) any official or employee of any department, agency, or instrumentality of a government; (c) any employee of any corporation or entity owned or controlled by a government; (d) any family member of such officials or employees; (e) any political party, party official, or political candidate; or (f) any other persons, owners, officers, directors, employees and agents of any corporation or entity; to improperly or illegally assist in obtaining or retaining business (including but not limited to any contracts, avoidance of duties or reduction of tariffs, reduction of taxes or

to obtain money owed, or to obtain regulatory approval) or for the purpose of causing, soliciting or inducing the sale and purchase of the Deliverables by any party, and (iv) it has full knowledge of and will comply with the Company's Code of Conduct for Business Partners as set forth on the Allegion customer website, **WHICH IS HEREBY INCORPORATED BY REFERENCE.**

c. The Customer shall indemnify and hold the Company harmless from any claim, demand, expense or cost arising from any breach of this Article.

d. The Customer shall permit the Company to conduct an audit or review of the Customer's financial books and records and business operations at such other times that the Company considers it necessary to confirm compliance with this provision. Such audit may be conducted by representatives of the Company or, at the Company's sole discretion, by a certified public accounting firm selected by the Company. The Customer shall cooperate with any inquiries from the Company's Ethics & Compliance Group.

e. A violation of this provision constitutes a material breach of this Agreement and the Company may terminate any purchase order or this Agreement immediately, with no opportunity to cure, in accordance with Section 27 of this Agreement.

f. Notwithstanding the foregoing provisions of this Section 33, (i) Company is not responsible for obtaining or maintaining any permits for the performance of services or the verification or compliance with any code requirements relative to the performance of services, (ii) to the extent any sale of Deliverables pursuant to this Agreement may require approval of the U.S. Government, Company's obligations under this Agreement are conditioned upon the grant of such approval and upon compliance by Customer with any restrictions imposed by the U.S. Government in connection with such approval, and (iii) in the event the Deliverables are to be used in a nuclear facility, the Customer shall, prior to such use, arrange for insurance or governmental indemnity protecting Company against liability. The Customer hereby releases and agrees to indemnify Company and its suppliers for any nuclear damage including, but not limited to, loss of use, in any manner arising out of the nuclear incident, whether alleged to be due, in whole or in part by Company or its suppliers.

g. **No Inducements.** Each party represents to each other that neither it nor any person acting on its behalf has, in contravention of any applicable law, given or offered to give or will give or offer to give, any sum of money or other material consideration to any person, directly or indirectly, as an inducement to obtain business hereunder or to influence the granting of licenses or other governmental permissions to enter into this Agreement or perform obligations hereunder.

h. **Equal Employment Opportunity.** Company is a U.S. federal contractor that complies with Executive Order 11246, as amended, and applicable regulations in 41 CFR Parts 60-1 through 60-60, 29 U.S.C. § 793 and applicable regulations in 41 CFR § 60-741; and 38 U.S.C. § 4212 and applicable regulations in 41 CFR Part 60-250 and 60-300. **THE FOLLOWING PROVISIONS ARE INCORPORATED HEREIN BY REFERENCE:** Executive Order 11246, as amended by Executive Order 13672, and 41 CFR § 60-4.3(a); Executive Order 11701 and 41 CFR §§ 60-250.5(a), 60-300.5; Executive Order 11758 and 41 CFR § 60-741.5(a); U.S. immigration laws, including the L-1 Visa Reform Act of 2004 and the H-1B Visa Reform Act of 2004; and Executive Order 13496.

i. **Ethical Business Conduct.** Customer shall adopt and comply with Company's Business Partner Code of Conduct which is **EXPRESSLY INCORPORATED HEREIN BY REFERENCE.**

34. REPRESENTATIONS AND WARRANTIES. Customer represents, warrants and covenants to Company that: (a) it has the right, power, and authority to enter into this Agreement and fully perform its obligations hereunder; (b) it has all necessary rights in and to its respective Content and Marks for use within the scope of this Agreement, including the licenses granted herein; and (c) it complies, and at all times shall comply, with all laws, rules, and regulations in effect that are applicable to its performance under this Agreement, including obtaining all such approvals and/or permits as may be required hereunder.

35. NO THIRD-PARTY BENEFICIARY. Each party is entering into this Agreement solely based on the representations contained herein for its own purposes and not for the benefit of any third party.

36. NOTICES AND CHANGE OF ADDRESS. All notices or other communications under this Agreement shall be in writing and delivered in person, or sent by receipted courier, express mail, e-mail, or postage prepaid certified or registered mail, addressed to the party for whom it is intended, at the addresses set forth in this Agreement. Either party may change its address for notice by giving written notice to the other party. Any notice or other communication shall be deemed given no later than the date actually received. Notice by courier, express mail, certified mail, or registered mail shall be deemed given on the date it is officially recorded as delivered and, in the absence of such record of delivery, it shall be rebuttably presumed to have been delivered on the third Business Day after it was deposited. Notices sent by e-mail require tangible confirmation of receipt from addressee.

37. ASSIGNMENT. Customer may not assign this Agreement without the prior written consent of Company. Company may assign its rights and delegate its duties under this Agreement, without the prior consent of Customer, to an Affiliate, or to a third party in the event of a spin-off, merger, business combination, consolidation or sale of all, or substantially all, of its assets or business that are related to this Agreement. The rights and duties in this Agreement shall bind and inure to the benefit of any such assignee.

38. SEVERABILITY. If any provision of this Agreement is held to be invalid, illegal, or unenforceable under any statute, regulation, ordinance, executive order, or other rule of law, that provision will be deemed severed to the extent necessary to comply with such statute, regulation, ordinance, order, or rule. In the event such provision is deemed severed, the parties will negotiate in good faith to arrive at an alternative arrangement approximating the original business objective of the parties. The remaining terms and conditions of this Agreement will remain in effect.

39. NO IMPLIED WAIVER. The failure of either party at any time to require performance by the other party of any provision of this Agreement will in no way affect the right to require such performance at any time thereafter, nor will the waiver of either party of a breach of any provision of this Agreement constitute a waiver of any succeeding breach of the same or any other provision.

40. MISCELLANEOUS. (a) This Agreement does not make either party the agent or legal representative of the other party. Neither party is authorized to create any obligation on behalf of the other party including, but not limited to, the obligation for payment of any service or warranty obligation hereunder; (b) The rights and remedies herein reserved to Company are cumulative and additional to any other rights and remedies provided at law or equity; (c) The official text of this Agreement is in the English language. If this Agreement is translated into another language, the English text will govern any question with respect to interpretation;

(d) The headings in this Agreement are for convenience of reference only and do not affect the meaning of this Agreement in any manner.

DEFINITIONS.

Capitalized terms have the meanings set forth in this Section, or in the Section in which they first appear in this Agreement.

"Agreement" means these Allegion Terms and Conditions of Sale and Service, together with any applicable Country Supplement or Region Supplement provided by Company, and all of the documents referenced herein or therein.

"Affiliate" means any Person that directly or indirectly, through one or more intermediaries, controls, is controlled by, or is under common control with, the Company. The term "control" (including the terms "controlled by" and "under common control with") means the possession, directly or indirectly, of the power to direct or cause the direction of the management and policies of a Person, whether through the ownership of voting securities, by contract or otherwise.

"Business Day" means any day except Saturday, Sunday or any other day on which commercial banks located in the United States are authorized or required by Law to be closed for business.

"Company" means Schlage Lock Company, LLC or any subsidiary or affiliate thereof selling products that are part of the Allegion product portfolio. Schlage Lock Company and/or its subsidiary or affiliates will be severally but not jointly liable under the Agreement.

"Company Marks" refers to the Marks of Company.

"Confidential Information" shall mean any and all information provided by either party to the other party pertaining to the disclosing party's business. Confidential Information shall include, but not be limited to, any bidding lists, formulae for products, manufacturing processes, production techniques, packaging processes, methods, research materials, ideas, marketing plans and related materials, quality standards, test results and data, apparatus, engineering drawings, contract documents, computer software, hardware, or firmware, business activities information such as financial information, reports, projections, books and records, customer and supplier information, and operations, customer and supplier lists and data, specifications, know how, and other Proprietary Information or Trade Secrets (as defined herein) that either party may furnish to the other party. Confidential Information shall not include information that:

(a) is or becomes publicly known if such public knowledge or disclosure is not the result of any act or failure to act on the part of the receiving party; (b) is, at the time of disclosure, already known to the Receiving Party without utilizing the Confidential Information; (c) is information disclosed to the Receiving Party by a third party which is not to the Receiving Party's knowledge, after inquiry of the third party, under a duty of confidentiality to the Disclosing Party; or (d) is independently developed by the Receiving Party without the use of Confidential Information. The Receiving Party shall have the burden of proof as to prior knowledge and absence of breach. Confidential Information may be furnished in any tangible or intangible form including, but not limited to, writings, drawings, computer and other electronic media, logic diagrams, component specifications, graphs, prototypes, samples, or verbal communications and regardless of whether such information is marked or designated as "confidential." For the avoidance of doubt, all information, knowledge or data disclosed by Company to Customer, regardless of whether disclosed in written, tangible, oral, visual or other form, including, without limitation, sample products, equipment, software, or other objects or material, provided by Company to Customer, and all information, knowledge or data which was obtained by Customer from visits to Company's facilities, shall be considered "Confidential Information" under this Agreement.

"Content" means all information (including without limitation any text, music, sound, photographs, video, graphics, data or software), in any medium, on a particular Company Web page or Website or in Marketing Materials.

"Customer" means the purchaser of Deliverables from Company.

"Deliverables" means any good or service or both purchased by Customer from Company under these General Terms and Conditions of Sale and Service.

"End Users" means the purchaser that (a) has acquired a Deliverable from Customer for (i) its own and its Affiliate's/Affiliates' internal use and not for resale, remarketing or distribution or (ii) incorporation into its own products and (b) is an individual or entity, other than any federal, state or local agency, office or division.

"IP" means all intellectual property and industrial property rights comprising or relating to/ of the following: (a) Patents; (b) Trademarks; (c) internet domain names, whether or not Trademarks, registered by any authorized private registrar or Governmental Authority, web addresses, web pages, website and URLs; (d) works of authorship, expressions, designs and design registrations, whether or not copyrightable, including copyrights and copyrightable works, software and firmware, application programming interfaces, architecture, files, records, schematics, data, data files, and databases and other specifications and documentation; (e) Trade Secrets; and (f) all other intellectual property and industrial property rights, and all rights, interests and protections that are associated with, equivalent or similar to, or required for the exercise of, any of the foregoing, however arising, in each case whether registered or unregistered and including all registrations and applications for, and renewals or extensions of, such rights or forms of protection pursuant to the Laws of any jurisdiction throughout in any part of the world.

"Marketing Materials" means all marketing brochures, buckslips, pamphlets, emails, text, call scripts or other material, whether in printed format, audio or audiovisual format, or in any other format, that contain any (i) Content relating to the Company Deliverables or (ii) Company Marks.

"Marks" means collectively the domain names, trademarks, trade names, service marks, trade dress, logos, and the like used or provided by either party for use in connection with this Agreement.

"Patents" means all patents (including all reissues, divisionals, provisionals, continuations and continuations-in-part, re-examinations, renewals, substitutions and extensions thereof), patent applications, and other patent rights and any other Governmental Authority-issued indicia of invention ownership (including inventor's certificates, petty patents and patent utility models).

"Person" means a person or entity.

"Price Books" mean Company's current Price Book in effect for the applicable Deliverable being purchased by Customer.

"Trade Secrets" means and includes business or technical information of either party, including processes, formulas, devices, techniques, compilations and other material that a party attempts to maintain in secret and that derive commercial value for such party from not being generally known to the public or readily ascertainable through independent development or reverse engineering.

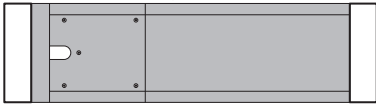
CUSTOM CHARGE: Special door markings and bulk packaging markings available at no charge.

FABRICATION:

- All items cut with tolerance -0+1/8" (3.2) to 1/2" (12.7)
- Drilling according to industry practice.
- All threshold straight cut.
- NH - No Holes Standard List - All models where NH is standard can have holes drilled as Engineered special, customer must submit template with order. See threshold chart for options.
- PIVOT HOLES \$ 45.42 list each
- COPING (Detail required):
 - L cut \$ 45.42 list price each
 - U cut \$ 90.85 list price each
- RETURN ENDS \$204.67 added to total list price threshold
- MITER \$ 10.24 list each
- RIPPING \$ 12.76 list per foot
- SPOT WELD \$ 18.46 list per foot
- BEVELING \$ 12.76 list per foot
- FLOOR CLOSER COVER: Prices are addition to threshold list prices.
- LONG LENGTH THRESHOLD CHARGE (applies to thresholds > 10'. All thresholds above 10', only 11', 12', 13', 14' and 14'6" lengths can be ordered. 14'6" only available for A mill aluminum finish.) \$9.73
- MAXIMUM LENGTHS: Thresholds 174" (168" for anodized finishes)

TYPE 1

For Doors Hung in Center of Frame

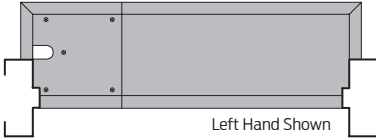


Left Hand Shown

\$ 139.68 list adder single door
\$ 285.51 list adder double door

TYPE 3

For Use with All Offset Closers and Pivot Sets

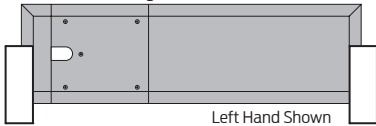


Left Hand Shown

\$ 397.40 list adder single door
\$ 794.82 list adder double door

TYPE 4

For Doors Hung Flush with Face of Frame

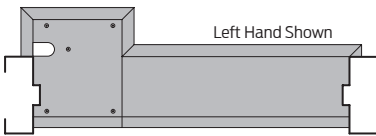


Left Hand Shown

\$ 397.40 list adder single door
\$ 794.82 list adder double door

TYPE 5

For Use with Offset Closers and Pivot Sets



Left Hand Shown

\$ 496.77 list adder single door
\$ 993.54 list adder double door

OPTIONS:

| | | | |
|--------|---|---------|--|
| • E | Epoxy Tread | \$10.86 | List price adder x width in inches x length per foot. See table for specific model widths. |
| • EL | Photoluminescent and Epoxy Tread | \$10.86 | |
| • V3 | Full Body Fill for Thresholds | \$15.53 | |
| • EV3 | Epoxy Tread and V3 Full Body Fill | \$26.39 | |
| • ELV3 | Photoluminescent and Epoxy Tread with V3 Full Body Fill | \$26.39 | |

Use Threshold adder chart for widths and available options.

Example: 655A-V3-36"

Threshold - \$18.72 *3 (ft) = \$56.16

V3 Adder - \$15.53 *5 (inches in width)* 3 (feet in length) = \$232.95

Total Price: \$56.16 + \$232.95 = \$289.11

| | | | |
|-------|--|---------|---------------------|
| • FLO | Air Flow Configuration (Sweeps, Shoes, and Door Bottoms) | \$3.89 | List Adder per foot |
| • LS | Light Spring for Door Bottoms | | |
| • PSA | Pressure Sensitive Adhesive (Weather Stripping and Intumescent) | | |
| • SEC | Security Screws | | |
| • Z49 | Z49 Door Bottom End cap System (with Pull Out, standard) | \$20.19 | |
| | Z49 Door Bottom End cap System (without Pull out, must specify Z49 only) | \$13.43 | |
| | Pull Out Feature (PL) | \$6.76 | |
| • ZAG | Anti Ligature (Weather Stripping and Head and Jamb) | \$1.42 | List Adder per foot |

FASTENERS:

Supplied at no charge except drive screws & nails (see page 22). Flathead wood screws supplied with threshold, expansion shields extra.

ROUNDING RULES:

Thresholds round up to next 1/2 foot. (except 600CP, 601CP)

Door Sweeps - round up to the next 1/2 foot.

Head & Jamb -

Set: Width to next 1/2 foot * (height to next 1/2 foot * 2)

Stick: round up to the next 1/2 foot.

Gasketing/Weatherstripping- round up to the next full foot.

FINISH DESIGNATIONS / ABBREVIATIONS:

| | |
|---|--|
| A = Aluminum, Mill finish | B-ORB = Oil Rubbed Bronze finish |
| AA = 204R1/202R1 Clear Anodized Finish | B-POL = High Buff Polished Bronze |
| B = Architectural Bronze, Mill finish | B-SAT = Stain Polished Bronze |
| BK = Black Anodized 315AN | SP = Steel Prime |
| D = 2 Step Dark Bronze Anodized (Dark Brown) | STST = Stainless Steel |
| G = 204R1/202R1 Gold Anodized finish | |

Note: Black, Dark Bronze and Gold anodized finishes will show wear over time and are not included in the standard warranty. Also, color anodized finishes may require an extended lead time for finishing.

BRONZE FINISHING:

| | |
|---|-----------------------|
| • B-ORB (Oil Rubbed Bronze Finish) | Add 40% to list price |
| • B-POL (High Buff Polished Bronze - models 7000, 7332, 7334, 7335, 7336, 7338 only) | Add 40% to list price |
| • B-SAT (Satin Polished Bronze - models 7000, 7332, 7334, 7335, 7336, 7338 only) | Add 40% to list price |

*No E, EL, V3, EV3 or ELV3 if B-ORB is requested.

THRESHOLD MODELS AND OPTIONS

| MODEL | NH - OPTIONAL OR STANDARD | THRESHOLD WIDTH FOR ADDER | EOR EL AVAILABLE | V3 AVAILABLE | MODEL | NH - OPTIONAL OR STANDARD | THRESHOLD WIDTH FOR ADDER | EOR EL AVAILABLE | V3 AVAILABLE |
|-------|---------------------------|---------------------------|------------------|--------------|-------|---------------------------|---------------------------|------------------|--------------|
| 15 | Standard | N/A | | | 601CP | Standard | N/A | ✓ | |
| 48 | Standard | N/A | | | 622 | Optional | 2" | ✓ | ✓ |
| 49 | Standard | N/A | | | 623 | Optional | 3" | ✓ | ✓ |
| 63 | Standard | 3" | ✓ | ✓ | 624 | Optional | 4" | ✓ | ✓ |
| 64 | Optional | 3" | ✓ | ✓ | 625 | Optional | 5" | ✓ | ✓ |
| 65 | Optional | 5" | ✓ | ✓ | 626 | Optional | 6" | ✓ | ✓ |
| 68 | Standard | N/A | | | 627 | Optional | 2" | ✓ | ✓ |
| 69 | Standard | N/A | | | 628 | Optional | 3" | ✓ | ✓ |
| 70 | Optional | 2"/3" | ✓ | ✓ | 643 | Optional | 3" | ✓ | ✓ |
| 73 | Optional | 2"/4" | ✓ | ✓ | 647 | Standard | 7" | ✓ | ✓ |
| 76 | Optional | 2"/4" | ✓ | ✓ | 653 | Optional | 3" | ✓ | ✓ |
| 80 | Optional | 2"/5" | ✓ | ✓ | 654 | Optional | 4" | ✓ | ✓ |
| 102 | Standard | 6" | ✓ | | 655 | Optional | 5" | ✓ | ✓ |
| 103 | Standard | 7" | ✓ | | 656 | Standard | 6" | ✓ | ✓ |
| 104 | Standard | 6" | ✓ | | 657 | Standard | 7" | ✓ | ✓ |
| 105 | Standard | N/A | | | 663 | Standard | 3" | ✓ | ✓ |
| 106 | Standard | N/A | | | 664 | Optional | 4" | ✓ | ✓ |
| 107 | Standard | N/A | | | 672 | Standard | 2" | ✓ | |
| 164 | Optional | 4" | ✓ | ✓ | 673 | Standard | 3" | ✓ | |
| 168 | Standard | N/A | | | 674 | Standard | 4" | ✓ | |
| 175 | Optional | 3"/5" | ✓ | ✓ | 675 | Standard | 5" | ✓ | |
| 232 | Standard | 6" | ✓ | ✓ | 676 | Standard | 6" | ✓ | |
| 233 | Standard | 3" | ✓ | | 678 | Standard | 8" | ✓ | |
| 234 | Standard | 3" | ✓ | | 1545 | Optional | 3" | ✓ | ✓ |
| 235 | Standard | 3" | ✓ | | 1673 | Optional | 3" | ✓ | ✓ |
| 236 | Standard | 6" | ✓ | | 1674 | Optional | 4" | ✓ | ✓ |
| 237 | Standard | 4" | ✓ | | 1675 | Optional | 5" | ✓ | ✓ |
| 238 | Standard | 4" | ✓ | | 1682 | Optional | 2" | ✓ | ✓ |
| 259R | Standard | N/A | | | 1684 | Optional | 4" | ✓ | ✓ |
| 265 | Optional | 5" | ✓ | ✓ | 1685R | Standard | N/A | | |
| 267 | Optional | 2" | ✓ | | 1686R | Standard | N/A | | |
| 268 | Standard | N/A | | | 2361 | Standard | 4" | ✓ | |
| 269 | Standard | N/A | | | 2673 | Standard | 3" | ✓ | |
| 304 | Optional | 2" | | ✓ | 2676 | Standard | 6" | ✓ | |
| 469 | Standard | N/A | | | 3672 | Standard | 2" | ✓ | |
| 522 | Optional | 2" | ✓ | ✓ | 3673 | Standard | 3" | ✓ | |
| 523 | Optional | 3" | ✓ | ✓ | 3674 | Standard | 4" | ✓ | |
| 524 | Optional | 3" | ✓ | ✓ | 3675 | Standard | 5" | ✓ | |
| 525 | Optional | 5" | ✓ | ✓ | 3676 | Standard | 6" | ✓ | |
| 526 | Optional | 6" | ✓ | ✓ | 6570 | Standard | 7" | ✓ | ✓ |
| 544 | Optional | 4" | ✓ | ✓ | 6575 | Standard | 8" | ✓ | ✓ |
| 545 | Optional | 5" | ✓ | ✓ | 6710 | Standard | 10" | ✓ | |
| 546 | Standard | 6" | ✓ | ✓ | 7000 | Optional | N/A | | |
| 547 | Standard | 7" | ✓ | ✓ | 7332 | Optional | N/A | | |
| 548 | Standard | 8" | ✓ | ✓ | 7334 | Optional | N/A | | |
| 560 | Optional | 5" | ✓ | ✓ | 7335 | Optional | N/A | | |
| 561 | Optional | 5" | ✓ | ✓ | 7336 | Optional | N/A | | |
| 563 | Optional | 4" | ✓ | ✓ | 7337 | Optional | N/A | | |
| 564 | Optional | 4" | ✓ | ✓ | 8452 | Optional | 2" | ✓ | |
| 565 | Optional | 5" | ✓ | ✓ | 8655 | Optional | 5" | ✓ | ✓ |
| 566 | Optional | 5" | ✓ | ✓ | 8724 | Optional | 6" | ✓ | ✓ |
| 568 | Optional | 6" | ✓ | ✓ | 8726 | Optional | 8" | ✓ | ✓ |
| 600CP | Standard | N/A | ✓ | | 8729 | Optional | 7" | ✓ | ✓ |

CATALOG ITEMS NUMERICAL INDEX

| PART NUMBER | DESCRIPTION | TYPE | LIST PRICE PER FOOT | LIST PRICE PER METER |
|-------------|---|--------------------|---------------------|----------------------|
| 4B | Bronze Jamb 1 3/4" (44.5) Top Sash | Weather Stripping | \$ 10.60 | \$ 34.78 |
| 4Z | Zinc Jamb 1 3/4" (44.5) Top Sash | Weather Stripping | \$ 3.41 | \$ 11.18 |
| 5B | Bronze Jamb 2 1/8" (54.0) Lower Sash | Weather Stripping | \$ 11.56 | \$ 37.92 |
| 5Z | Zinc Jamb 2 1/8" (54.0) Lower Sash | Weather Stripping | \$ 3.73 | \$ 12.23 |
| 11A | Aluminum Rain Drip | Rain Drip | \$ 4.69 | \$ 15.39 |
| 11BK | Dark Bronze Anodized Rain Drip | Rain Drip | \$ 6.49 | \$ 21.28 |
| 11D | Dark Bronze Anodized Rain Drip | Rain Drip | \$ 6.49 | \$ 21.28 |
| 11G | Gold Anodized Rain Drip | Rain Drip | \$ 6.49 | \$ 21.28 |
| 15B** | Bronze Butt Threshold 1 1/4" (35.6) | Threshold | \$ 38.16 | \$ 125.22 |
| 18B | Cushion Bronze 9/16" (14.2) | Weather Stripping | \$ 1.85 | \$ 6.07 |
| 19B | Cushion Bronze 3/4" (19.1) | Weather Stripping | \$ 2.12 | \$ 6.96 |
| 19WB | Cushion Bronze 1 1/8" (28.6) | Weather Stripping | \$ 2.17 | \$ 7.11 |
| 23B | Bronze Sill Hook | Weather Stripping | \$ 7.23 | \$ 23.76 |
| 25AA | Clear Anodized Extruded Aluminum Angle | Gasketing | \$ 2.68 | \$ 8.82 |
| 25D | Dark Bronze Anodized Angle | Gasketing | \$ 5.10 | \$ 16.69 |
| 25G | Gold Anodized Angle | Gasketing | \$ 5.10 | \$ 16.69 |
| 31AA | Clear Anodized Bumper Strip / Silicone | Gasketing | \$ 8.22 | \$ 26.98 |
| 31BK | Black Anod. Bumper Strip/ Silicone | Gasketing | \$ 11.67 | \$ 38.31 |
| 31D | Dark Bronze Anod. Bumper Strip/ Silicone | Gasketing | \$ 11.67 | \$ 38.31 |
| 31G | Gold Anodized Bumper Strip/ Silicone | Gasketing | \$ 11.67 | \$ 38.31 |
| 32AA | Clear Anodized Bumper Strip / Brush | Gasketing | \$ 8.22 | \$ 26.98 |
| 32BK | Black Anodized Bumper Strip/ Brush | Gasketing | \$ 11.67 | \$ 38.31 |
| 32D | Dark Bronze Anodized Bumper Strip/ Brush | Gasketing | \$ 11.67 | \$ 38.31 |
| 32G | Gold Anodized Bumper Strip / Brush | Gasketing | \$ 11.67 | \$ 38.31 |
| 32P-BK | Self Adhesive Pile Brush, Black | Replacement Gasket | \$ 2.06 | \$ 6.77 |
| 32P-GY | Self Adhesive Pile Brush, Gray | Replacement Gasket | \$ 2.06 | \$ 6.77 |
| 33AA | Clear Anodized / Silicone Lip | Gasketing | \$ 8.22 | \$ 26.98 |
| 33BK | Black Anodized / Silicone Lip | Gasketing | \$ 11.67 | \$ 38.31 |
| 33D | Dark Bronze Anodized / Silicone Lip | Gasketing | \$ 11.67 | \$ 38.31 |
| 33G | Gold Anodized / Silicone Lip | Gasketing | \$ 11.67 | \$ 38.31 |
| 34AA | Clear Anodized / Brush / Adjustable | Meeting Stile | \$ 11.36 | \$ 37.24 |
| 34BK | Black Anodized / Brush / Adjustable | Meeting Stile | \$ 15.93 | \$ 52.27 |
| 34D | Dark Bronze Anodized / Brush / Adjustable | Meeting Stile | \$ 15.93 | \$ 52.27 |
| 34G | Gold Anodized / Brush / Adjustable | Meeting Stile | \$ 15.93 | \$ 52.27 |
| 34P-BK | Pile Brush, Black | Replacement Gasket | \$ 4.75 | \$ 15.55 |
| 34P-GY | Pile Brush, Gray | Replacement Gasket | \$ 4.75 | \$ 15.55 |
| 34P-BK-PSA | Self Adhesive Pile Brush, Black | Gasketing | \$ 4.66 | \$ 15.25 |
| 34P-GY-PSA | Self Adhesive Pile Brush, Gray | Gasketing | \$ 4.66 | \$ 15.25 |
| 35AA | Clear Anodized/ Silicone Lip/ Adjustable | Meeting Stile | \$ 11.36 | \$ 37.24 |
| 35BK | Dark Bronze Anod./ Silicone Lip/ Adjustable | Meeting Stile | \$ 15.93 | \$ 52.27 |
| 35D | Dark Bronze Anod./ Silicone Lip/ Adjustable | Meeting Stile | \$ 15.93 | \$ 52.27 |
| 35G | Gold Anodized/ Silicone Lip/ Adjustable | Meeting Stile | \$ 15.93 | \$ 52.27 |
| 36AA | Clear Anodized/ Silicone Lip/ Adjustable | Meeting Stile | \$ 11.19 | \$ 36.69 |
| 36BK | Black Anod./ Silicone Lip/ Adjustable | Meeting Stile | \$ 15.93 | \$ 52.27 |
| 36D | Dark Bronze Anod./ Silicone Lip/ Adjustable | Meeting Stile | \$ 15.93 | \$ 52.27 |
| 36G | Gold Anodized / Silicone Lip/ Adjustable | Meeting Stile | \$ 15.93 | \$ 52.27 |
| 38AA | Clear Anodized / Solid Insert | Meeting Stile | \$ 11.19 | \$ 36.69 |
| 38BK | Black Anodized / Solid Insert | Meeting Stile | \$ 15.93 | \$ 52.27 |
| 38D | Dark Bronze Anodized / Solid Insert | Meeting Stile | \$ 15.93 | \$ 52.27 |
| 38G | Gold Anodized / Solid Insert | Meeting Stile | \$ 15.93 | \$ 52.27 |
| 39A | Aluminum / Solid Neoprene 1/2" (12.7) | Door Sweep | \$ 8.29 | \$ 27.19 |
| 39BK | Black Anodized/Solid Neoprene 1/2" (12.7) | Door Sweep | \$ 11.19 | \$ 36.70 |
| 39D | Dark Bronze Anodized/Solid Neoprene 1/2" (12.7) | Door Sweep | \$ 11.19 | \$ 36.70 |
| 39G | Gold Anodized/Solid Neoprene 1/2" (12.7) | Door Sweep | \$ 11.19 | \$ 36.70 |
| 39WA | Aluminum / Solid Neoprene 1 1/4" (31.8) | Door Sweep | \$ 11.36 | \$ 37.24 |
| 39WBK | Black Anodized /Solid Neoprene 1 1/4" | Door Sweep | \$ 15.20 | \$ 49.87 |
| 39WD | Dark Bronze Anodized /Solid Neoprene 1 1/4" | Door Sweep | \$ 15.20 | \$ 49.87 |
| 39WG | Gold Anodized /Solid Neoprene 1 1/4" | Door Sweep | \$ 15.20 | \$ 49.87 |
| 40AA | Clear Anodized Astragal / Magnet Vinyl | Meeting Stile | \$ 18.40 | \$ 60.35 |
| 40D | Dark Bronze Anod. Astragal / Magnet Vinyl | Meeting Stile | \$ 27.46 | \$ 90.05 |
| 41AA | Clear Anodized Security Astragal | Meeting Stile | \$ 16.24 | \$ 53.29 |
| 41BK | Dark Bronze Anodized Security Astragal | Meeting Stile | \$ 17.54 | \$ 57.55 |
| 41D | Dark Bronze Anodized Security Astragal | Meeting Stile | \$ 17.54 | \$ 57.55 |
| 41G | Gold Anodized Security Astragal | Meeting Stile | \$ 17.54 | \$ 57.55 |
| 43SP | Steel Prime Astragal 2 1/4" (57.2) | Meeting Stile | \$ 15.44 | \$ 50.68 |
| 43STST | Stainless Steel Astragal 2 1/4" (57.2) | Meeting Stile | \$ 32.30 | \$ 105.99 |
| 44STST | Stainless Steel Astragal 1 1/2" (38.1) | Meeting Stile | \$ 19.33 | \$ 63.49 |

| PART NUMBER | DESCRIPTION | TYPE | LIST PRICE PER FOOT | LIST PRICE PER METER |
|-------------|---|--------------------|---------------------|----------------------|
| 47A | Aluminum astragal 1 3/4" (44.5) x 1/8" (3.2) | Meeting Stile | \$ 9.43 | \$ 30.91 |
| 47BK | Black Anod. astragal 1 3/4" (44.5) x 1/8" (3.2) | Meeting Stile | \$ 13.06 | \$ 42.85 |
| 47D | Dark Bronze Anod. astragal 1 3/4" (44.5) x 1/8" (3.2) | Meeting Stile | \$ 13.06 | \$ 42.85 |
| 47G | Gold Anod. astragal 1 3/4" (44.5) x 1/8" (3.2) | Meeting Stile | \$ 13.06 | \$ 42.85 |
| 48A | Aluminum Plate 3/16" (4.7) x 1 1/2" (38.1) | Threshold | \$ 8.53 | \$ 27.99 |
| 49A | Aluminum Plate 1/8" (3.2) x 1 3/4" (44.5) | Threshold | \$ 9.43 | \$ 30.93 |
| 50AA | Aluminum / Neoprene | Gasketing | \$ 6.65 | \$ 21.83 |
| 50BK | Black Anodizing / Neoprene | Gasketing | \$ 9.27 | \$ 21.83 |
| 50D | Dark Bronze Anodizing / Neoprene | Gasketing | \$ 9.27 | \$ 21.83 |
| 50G | Gold Anodizing / Neoprene | Gasketing | \$ 9.27 | \$ 21.83 |
| 50MAA | Aluminum / Beveled Neoprene | Door Sweep | \$ 7.51 | \$ 24.63 |
| 50MBK | Black Anodizing / Beveled Neoprene | Door Sweep | \$ 10.45 | \$ 34.31 |
| 50MD | Dark Bronze Anodizing / Beveled Neoprene | Door Sweep | \$ 10.45 | \$ 34.31 |
| 50MG | Gold Anodizing / Beveled Neoprene | Door Sweep | \$ 10.45 | \$ 34.31 |
| 51A-90 | 6.5" W rubber, grey. For doors that open to 90° | Finger Guard | \$ 15.29 | \$ 50.17 |
| 51BK-90 | 6.5" W rubber, grey. For doors that open to 90° | Finger Guard | \$ 21.41 | \$ 70.24 |
| 51D-90 | 6.5" W rubber, grey. For doors that open to 90° | Finger Guard | \$ 21.41 | \$ 70.24 |
| 51G-90 | 6.5" W rubber, grey. For doors that open to 90° | Finger Guard | \$ 21.41 | \$ 70.24 |
| 51A-180 | 8.5" W rubber, grey. For doors that open to 180° | Finger Guard | \$ 16.34 | \$ 53.59 |
| 51BK-180 | 8" W rubber, grey. For doors that open to 180° | Finger Guard | \$ 22.79 | \$ 74.78 |
| 51D-180 | 8" W rubber, grey. For doors that open to 180° | Finger Guard | \$ 22.79 | \$ 74.78 |
| 51G-180 | 8" W rubber, grey. For doors that open to 180° | Finger Guard | \$ 22.79 | \$ 74.78 |
| 51N-5-GY | 5" Flexible Strip - EPDM Rubber | Replacement Gasket | \$ 4.49 | \$ 14.78 |
| 51N-6-GY | 6.5" Wide EPDM Gray | Replacement Gasket | \$ 9.87 | \$ 32.38 |
| 51N-8-GY | 8.5" Wide EPDM Gray | Replacement Gasket | \$ 13.95 | \$ 45.84 |
| 52A | Neoprene in Aluminum Track, 1 7/16" (36.5) | Door Sweep | \$ 10.79 | \$ 35.39 |
| 52N | 1.64" Wide Track Seal - Neoprene | Replacement Gasket | \$ 5.50 | \$ 18.06 |
| 53A | Neoprene in Aluminum Track, 3/4" (19.1) | Door Sweep | \$ 8.21 | \$ 26.98 |
| 53N | 1.06 Wide Track Seal - Neoprene | Replacement Gasket | \$ 4.35 | \$ 14.26 |
| 55AA | Clear Anodized / Solid Insert /Adjustable Astragal | Meeting Stile | \$ 22.54 | \$ 73.94 |
| 55BK | Black Anodized / Solid Insert Intumescent, Adjustable Surface Astragal | Meeting Stile | \$ 33.05 | \$ 108.46 |
| 55D | Dark Bronze Anodized / Solid Insert Intumescent, Adjustable Surface Astragal | Meeting Stile | \$ 33.05 | \$ 108.46 |
| 55G | Gold Anodized / Solid Insert Intumescent, Adjustable Surface Astragal | Meeting Stile | \$ 33.05 | \$ 108.46 |
| 55FS-AA | Clear Anodized / Solid Insert Intumescent, Adjustable Surface Astragal | Meeting Stile | \$ 29.92 | \$ 98.19 |
| 55FS-BK | Black Anodized / Solid Insert Intumescent, Adjustable Surface Astragal | Meeting Stile | \$ 37.51 | \$ 123.17 |
| 55FS-D | Dark Bronze Anodized / Solid Insert Intumescent, Adjustable Surface Astragal | Meeting Stile | \$ 37.51 | \$ 123.09 |
| 55FS-G | Gold Anodized / Solid Insert Intumescent, Adjustable Surface Astragal | Meeting Stile | \$ 37.51 | \$ 123.17 |
| 56AA | Clear Anodized Adjustable Mortised Astragal | Meeting Stile | \$ 22.54 | \$ 73.94 |
| 56BK | Black Anodized / Solid Insert Intumescent, Adjustable Mortised Astragal | Meeting Stile | \$ 33.05 | \$ 108.46 |
| 56D | Dark Bronze Anodized / Solid Insert Intumescent, Adjustable Mortised Astragal | Meeting Stile | \$ 33.05 | \$ 108.46 |
| 56G | Gold Anodized Adjustable Mortised Astragal | Meeting Stile | \$ 33.05 | \$ 108.46 |
| 56FS-AA | Clear Anodized Intumescent Fire Stop | Meeting Stile | \$ 28.56 | \$ 93.72 |
| 56FS-BK | Black Anod. Intumescent Fire Stop | Meeting Stile | \$ 38.98 | \$ 127.85 |
| 56FS-D | Dark Bronze Anod. Intumescent Fire Stop | Meeting Stile | \$ 38.98 | \$ 127.85 |
| 56FS-G | Gold Anodized Intumescent Fire Stop | Meeting Stile | \$ 38.98 | \$ 127.85 |
| 58FS-AA | Clear Anodized Intumescent Fire Stop | Gasketing | \$ 10.97 | \$ 35.96 |
| 58FS-BK | Black Intumescent Fire Stop | Gasketing | \$ 13.99 | \$ 45.88 |
| 58FS-D | Dark Bronze Intumescent Fire Stop | Gasketing | \$ 13.99 | \$ 45.88 |
| 58FS-G | Gold Anodized Intumescent Fire Stop | Gasketing | \$ 13.99 | \$ 45.88 |
| 59FS-A | Aluminum / Intumescent / Neoprene Blade PSA | Gasketing | \$ 17.75 | \$ 58.23 |

| PART NUMBER | DESCRIPTION | TYPE | LIST PRICE PER FOOT | LIST PRICE PER METER |
|-------------|--|--------------------|---------------------|----------------------|
| 59N | Lip Seal for Mortise Aluminum Track | Replacement Gasket | \$ 2.61 | \$ 8.59 |
| 63A | Aluminum Threshold 3"(76.2) x 1/4"(6.4) | Threshold | \$ 8.93 | \$ 29.33 |
| 63BK | Black Anod. Threshold 3"(76.2) x 1/4"(6.4) | Threshold | \$ 12.34 | \$ 40.47 |
| 63D | Dark Bronze Anod. Threshold 3"(76.2) x 1/4"(6.4) | Threshold | \$ 12.34 | \$ 40.47 |
| 63G | Gold Threshold 3"(76.2) x 1/4"(6.4) | Threshold | \$ 12.34 | \$ 40.47 |
| 64A | Aluminum Threshold 2 1/2" (63.5) | Threshold | \$ 6.43 | \$ 21.09 |
| 64BK | Black Anod. Threshold 2 1/2" (63.5) | Threshold | \$ 8.92 | \$ 29.26 |
| 64D | Dark Bronze Anod. Threshold 2 1/2" (63.5) | Threshold | \$ 8.92 | \$ 29.26 |
| 64G | Gold Threshold 2 1/2" (63.5) | Threshold | \$ 8.92 | \$ 29.26 |
| 65A | Aluminum Threshold / Silicone Stop 5" (127.0) wide 1/2" (12.7) high | Threshold | \$ 19.52 | \$ 64.06 |
| 65BK | Black Anod. Threshold / Silicone Stop 5" (127.0) wide 1/2" (12.7) high | Threshold | \$ 26.89 | \$ 98.86 |
| 65D | Dark Bronze Anod. Threshold / Silicone Stop 5" (127.0) wide 1/2" (12.7) high | Threshold | \$ 26.89 | \$ 98.86 |
| 65G | Gold Threshold / Silicone Stop 5" (127.0) wide 1/2" (12.7) high | Threshold | \$ 26.89 | \$ 98.86 |
| 65B | Bronze Threshold / Silicone Stop 5" (127.0) wide 1/2" (12.7) high | Threshold | \$ 125.54 | \$ 411.88 |
| 68A** | Aluminum Threshold Rest 1/2" (12.7) | Threshold | \$ 6.67 | \$ 21.89 |
| 68BK** | Black Anod. Threshold Rest 1/2" (12.7) | Threshold | \$ 9.29 | \$ 30.48 |
| 68D** | Dark Bronze Anod. Threshold Rest 1/2" (12.7) | Threshold | \$ 9.29 | \$ 30.48 |
| 68G** | Gold Threshold Rest 1/2" (12.7) | Threshold | \$ 9.29 | \$ 30.48 |
| 68B** | Bronze Threshold Rest 1/2" (12.7) | Threshold | \$ 31.98 | \$ 104.95 |
| 69A** | Aluminum Plate 1/4"(6.4) x 11/8"(28.6) | Threshold | \$ 6.43 | \$ 21.09 |
| 69BK** | Black Anod. Plate 1/4"(6.4) x 11/8"(28.6) | Threshold | \$ 8.94 | \$ 29.34 |
| 69D** | Dark Bronze Anod. Plate 1/4"(6.4) x 11/8"(28.6) | Threshold | \$ 8.94 | \$ 29.34 |
| 69G** | Gold Plate 1/4"(6.4) x 11/8"(28.6) | Threshold | \$ 8.94 | \$ 29.34 |
| 70B | Bronze Threshold 3" (76.2) | Threshold | \$ 62.64 | \$ 205.53 |
| 72A | Neoprene in Aluminum Track | Door Sweep | \$ 13.15 | \$ 43.17 |
| 72N | 2-5/8" Wide Neoprene Strip | Replacement Gasket | \$ 7.64 | \$ 25.08 |
| 73A | Aluminum 4"(10.6) / Neoprene Stop | Threshold | \$ 14.94 | \$ 49.04 |
| 73BK | Black Anod. 4"(10.6) / Neoprene Stop | Threshold | \$ 20.85 | \$ 68.39 |
| 73D | Dark Bronze Anod. 4"(10.6) / Neoprene Stop | Threshold | \$ 20.85 | \$ 68.39 |
| 73G | Gold Anod. 4"(10.6) / Neoprene Stop | Threshold | \$ 20.85 | \$ 68.39 |
| 76B | Bronze / Water Return option 3 1/2" (88.9) | Threshold | \$ 92.97 | \$ 305.02 |
| 80B | Bronze 4 1/4" (108.0) | Threshold | \$ 84.87 | \$ 278.51 |
| 84R-PSA | Traction Tread Neoprene with PSA, 1" (25.4) Wide x 1/4" (6.4) Thick | Threshold | \$ 6.84 | \$ 22.44 |
| 93A | Aluminum 3" (76.2) Loop Neoprene | Door Sweep | \$ 17.98 | \$ 59.04 |
| 93BK | Black Anod 3" (76.2) Loop Neoprene | Door Sweep | \$ 25.17 | \$ 82.66 |
| 93D | Dark Bronze Anodized 3" (76.2) Loop Neoprene | Door Sweep | \$ 25.17 | \$ 82.66 |
| 93G | Gold Anodized 3" (76.2) Loop Neoprene | Door Sweep | \$ 25.17 | \$ 82.66 |
| 93N | 3" Wide Bulb Seal-Neoprene | Replacement Gasket | \$ 2.61 | \$ 8.59 |
| 95A | Aluminum / Neoprene | Gasketing | \$ 11.28 | \$ 37.03 |
| 95BK | Black Anod. / Neoprene | Gasketing | \$ 15.83 | \$ 51.93 |
| 95D | Dark Bronze Anod. / Neoprene | Gasketing | \$ 15.83 | \$ 51.93 |
| 95G | Gold Anod. / Neoprene | Gasketing | \$ 15.83 | \$ 51.93 |
| 96P | 1.125" Nylon Brush | Replacement Gasket | \$ 11.66 | \$ 38.28 |
| 96A | Aluminum / Brush | Door Sweep | \$ 19.39 | \$ 63.60 |
| 96BK | Black Anod. / Brush | Door Sweep | \$ 27.15 | \$ 90.13 |
| 96D | Dark Bronze Anod. / Brush | Door Sweep | \$ 27.15 | \$ 90.13 |
| 96G | Gold Anod. / Brush | Door Sweep | \$ 27.15 | \$ 90.13 |
| 98A | Aluminum / Pile | Gasketing | \$ 7.33 | \$ 24.03 |
| 98A-PSA | Aluminum / Pile / PSA | Meeting Stile | \$ 7.80 | \$ 25.60 |
| 98BK | Black Anodized / Brush | Gasketing | \$ 10.84 | \$ 35.52 |
| 98BK-PSA | Black Anodized / Brush / PSA | Meeting Stile | \$ 11.30 | \$ 37.07 |
| 98D | Dark Bronze Anodized / Brush | Gasketing | \$ 10.84 | \$ 35.52 |
| 98D-PSA | Dark Bronze Anodized / Brush / PSA | Meeting Stile | \$ 11.30 | \$ 37.07 |
| 98G | Gold Anodized / Brush | Gasketing | \$ 10.84 | \$ 35.52 |
| 98G-PSA | Gold Anodized / Brush / PSA | Meeting Stile | \$ 11.30 | \$ 37.07 |
| 99A | Aluminum / Silicone | Gasketing | \$ 7.33 | \$ 24.03 |
| 99BK | Black Anodized / Silicone | Gasketing | \$ 10.90 | \$ 35.76 |
| 99D | Dark Bronze Anodized / Silicone | Gasketing | \$ 10.90 | \$ 35.76 |
| 99G | Gold Anodized / Silicone | Gasketing | \$ 10.90 | \$ 35.76 |
| 100A | Aluminum / Silicone Lip | Gasketing | \$ 7.33 | \$ 24.03 |

| PART NUMBER | DESCRIPTION | TYPE | LIST PRICE PER FOOT | LIST PRICE PER METER |
|-------------|---|--------------------|---------------------|----------------------|
| 100BK | Black Anodized / Silicone Lip | Gasketing | \$ 10.84 | \$ 35.52 |
| 100D | Dark Bronze Anodized / Silicone Lip | Gasketing | \$ 10.84 | \$ 35.52 |
| 100G | Gold Anodized / Silicone Lip | Gasketing | \$ 10.84 | \$ 35.52 |
| 102A** | Aluminum 5 1/2" (139.7) Off Set Threshold | Threshold | \$ 15.12 | \$ 49.59 |
| 102BK** | Black Anod. 5 1/2" (139.7) Off Set Threshold | Threshold | \$ 20.80 | \$ 68.21 |
| 102D** | Dark Bronze Anod. 5 1/2" (139.7) Off Set Threshold | Threshold | \$ 20.80 | \$ 68.21 |
| 102G** | Gold Anod. 5 1/2" (139.7) Off Set Threshold | Threshold | \$ 20.80 | \$ 68.21 |
| 103A** | Aluminum 7" (177.8) Off Set Threshold | Threshold | \$ 18.44 | \$ 60.53 |
| 103BK** | Black Anod. 7" (177.8) Off Set Threshold | Threshold | \$ 25.26 | \$ 82.83 |
| 103D** | Dark Bronze Anod. 7" (177.8) Off Set Threshold | Threshold | \$ 25.26 | \$ 82.83 |
| 103G** | Gold Anod. 7" (177.8) Off Set Threshold | Threshold | \$ 25.26 | \$ 82.83 |
| 104A** | Aluminum 6" (152.4) Off Set Threshold | Threshold | \$ 17.42 | \$ 57.14 |
| 104BK** | Black Anod. 6" (152.4) Off Set Threshold | Threshold | \$ 23.89 | \$ 78.36 |
| 104D** | Dark Bronze Anod. 6" (152.4) Off Set Threshold | Threshold | \$ 23.89 | \$ 78.36 |
| 104G** | Gold Anod. 6" (152.4) Off Set Threshold | Threshold | \$ 23.89 | \$ 78.36 |
| 105A** | Aluminum Bulkhead Door Threshold 3" (76.2) | Threshold | \$ 16.68 | \$ 54.70 |
| 105BK** | Black Anod. Bulkhead Door Threshold 3" (76.2) | Threshold | \$ 22.93 | \$ 75.21 |
| 105D** | Dark Bronze Anod. Bulkhead Door Threshold 3" (76.2) | Threshold | \$ 22.93 | \$ 75.21 |
| 105G** | Gold Anod. Bulkhead Door Threshold 3" (76.2) | Threshold | \$ 22.93 | \$ 75.21 |
| 106A** | Aluminum Bulkhead Door Threshold 3/4" (19.1) | Threshold | \$ 12.23 | \$ 40.06 |
| 106BK** | Black Anod. Bulkhead Door Threshold 3/4" (19.1) | Threshold | \$ 16.77 | \$ 54.98 |
| 106D** | Dark Bronze Anod. Bulkhead Door Threshold 3/4" (19.1) | Threshold | \$ 16.77 | \$ 54.98 |
| 106G** | Gold Anod. Bulkhead Door Threshold 3/4" (19.1) | Threshold | \$ 16.77 | \$ 54.98 |
| 107B** | Bronze Bulkhead Door Threshold 1 7/8" (47.6) | Threshold | \$ 69.04 | \$ 226.54 |
| 110AA | Clear Anodized Door Shoe / Pile | Door Sweep | \$ 11.51 | \$ 37.75 |
| 110BK | Black Anodized Door Shoe / Pile | Door Sweep | \$ 16.05 | \$ 52.64 |
| 110D | Dark Bronze Anodized Door Shoe / Pile | Door Sweep | \$ 16.05 | \$ 52.64 |
| 110G | Gold Anodized Door Shoe / Pile | Door Sweep | \$ 16.05 | \$ 52.64 |
| 111AA | Clear Anodized Door Shoe / Neoprene | Door Sweep | \$ 11.51 | \$ 37.75 |
| 111BK | Black Anodized Door Shoe / Neoprene | Door Sweep | \$ 16.05 | \$ 37.75 |
| 111D | Dark Bronze Anodized Door Shoe / Neoprene | Door Sweep | \$ 16.05 | \$ 37.75 |
| 111G | Gold Anodized Door Shoe / Neoprene | Door Sweep | \$ 16.05 | \$ 37.75 |
| 111FS-AA | Clear Anodized Door Shoe / Intumescent | Door Sweep | \$ 12.49 | \$ 40.99 |
| 111FS-BK | Black Anodized Door Shoe / Intumescent | Door Sweep | \$ 17.60 | \$ 57.75 |
| 111FS-D | Dark Bronze Anodized Door Shoe / Intumescent | Door Sweep | \$ 17.60 | \$ 57.75 |
| 111FS-G | Gold Anodized Door Shoe / Intumescent | Door Sweep | \$ 17.60 | \$ 57.75 |
| 117S-BK | Black Silicone Seal / Self Adhesive | Weather Stripping | \$ 1.49 | \$ 4.89 |
| 118B | Cushion Bronze / Adhesive 9/16" (14.2) | Weather Stripping | \$ 2.29 | \$ 7.49 |
| 119B | Cushion Bronze / Adhesive 3/4" (19.1) | Weather Stripping | \$ 2.87 | \$ 9.46 |
| 119WB | Cushion Bronze / Adhesive 1 1/8" (28.6) | Weather Stripping | \$ 3.21 | \$ 10.55 |
| 133 | Glass Edge Protection 1/2"(12.7) PVC/ Brush | Meeting Stile | \$ 9.38 | \$ 30.80 |
| 134 | Glass Edge Protection 1/2"(12.7) PVC/ Neoprene | Meeting Stile | \$ 9.38 | \$ 30.80 |
| 135 | Glass Edge Protection 1/2"(12.7) PVC | Meeting Stile | \$ 5.82 | \$ 19.06 |
| 136 | Glass Edge Protection 3/4"(19.1) PVC | Meeting Stile | \$ 8.06 | \$ 26.45 |
| 137 | PVC/ Pile for 1/2" (12.7) Glass Door | Meeting Stile | \$ 7.70 | \$ 25.27 |
| 137P-BK-PSA | Polypropylene Pile - .270"w x .250"h, Black w/PSA | Miscellaneous | \$ 2.57 | \$ 8.42 |
| 137P-GY-PSA | Polypropylene Pile - .270"w x .250"h, Grey w/PSA | Miscellaneous | \$ 2.57 | \$ 8.42 |
| 137TAPE | Dual sided closed cell foam tape, white, 3/8"w x 1/32" x 216' roll. | Miscellaneous | \$ 25.05 | each |
| 138 | PVC/ Pile for 3/4" (19.1) Glass Door | Meeting Stile | \$ 10.01 | \$ 32.84 |
| 138TAPE | Dual sided closed cell foam tape, white, 5/8"w x 1/32" x 216' roll. | Miscellaneous | \$ 36.12 | each |
| 139A | Aluminum / Neoprene | Gasketing | \$ 7.98 | \$ 26.18 |
| 139BK | Black Anodized / Neoprene | Gasketing | \$ 10.74 | \$ 35.25 |
| 139D | Dark Bronze Anodized / Neoprene | Gasketing | \$ 10.74 | \$ 35.25 |
| 139G | Gold Anodized / Neoprene | Gasketing | \$ 10.74 | \$ 35.25 |
| 139N | Neoprene 1 1/4" (31.8) x 1/8" (3.2) | Replacement Gasket | \$ 3.69 | \$ 12.08 |
| 139N-PSA | Neoprene 1 1/4" (31.8) x 1/8" (3.2) with PSA | Replacement Gasket | \$ 5.89 | \$ 19.34 |
| 140A | Aluminum / Neoprene | Gasketing | \$ 10.10 | \$ 33.11 |

**Supplied without mounting holes.

| PART NUMBER | DESCRIPTION | TYPE | LIST PRICE PER FOOT | LIST PRICE PER METER |
|-------------|--|--------------------|---------------------|----------------------|
| 140BK | Black Anodized / Neoprene | Gasketing | \$ 14.07 | \$ 46.14 |
| 140D | Dark Bronze Anodized / Neoprene | Gasketing | \$ 14.07 | \$ 46.14 |
| 140G | Gold Anodized / Neoprene | Gasketing | \$ 14.07 | \$ 46.14 |
| 141AA | Clear Anodized Extruded Rain Drip | Rain Drip | \$ 9.18 | \$ 30.14 |
| 141BK | Black Anodized Extruded Rain Drip | Rain Drip | \$ 14.58 | \$ 45.41 |
| 141D | Dark Bronze Anodized Extruded Rain Drip | Rain Drip | \$ 14.58 | \$ 45.41 |
| 141G | Gold Anodized Extruded Rain Drip | Rain Drip | \$ 14.58 | \$ 45.41 |
| 142AA | Clear Anodized Extruded Rain Drip | Rain Drip | \$ 7.88 | \$ 25.87 |
| 142BK | Black Anodized Rain Drip | Rain Drip | \$ 13.29 | \$ 43.62 |
| 142D | Dark Bronze Anodized Rain Drip | Rain Drip | \$ 13.29 | \$ 43.62 |
| 142G | Gold Anodized Rain Drip | Rain Drip | \$ 13.29 | \$ 43.62 |
| 144AA | Clear Anodized Extruded Hook / Silicone Tube | Gasketing | \$ 4.27 | \$ 14.03 |
| 153A | Aluminum / Neoprene | Door Sweep | \$ 10.36 | \$ 33.99 |
| 153BK | Black Anodized / Neoprene | Door Sweep | \$ 15.63 | \$ 51.27 |
| 153D | Dark Bronze Anodized / Neoprene | Door Sweep | \$ 15.63 | \$ 51.27 |
| 153G | Gold Anodized / Neoprene | Door Sweep | \$ 15.63 | \$ 51.27 |
| 153N | Thin Neoprene - Five Finger Extrusion | Replacement Gasket | \$ 5.24 | \$ 17.18 |
| 154A | Aluminum Angle Track / Pile | Door Sweep | \$ 11.85 | \$ 38.83 |
| 154BK | Black Anodized Angle Track / Pile | Door Sweep | \$ 15.92 | \$ 52.22 |
| 154D | Dark Bronze Anodized Angle Track / Pile | Door Sweep | \$ 15.92 | \$ 52.22 |
| 154G | Gold Anodized Angle Track / Pile | Door Sweep | \$ 15.92 | \$ 52.22 |
| 155AA | Clear Anodized / Pile Brush Surface Mounted, Adjustable Astragal | Meeting Stile | \$ 23.66 | \$ 77.65 |
| 155BK | Black Anodized / Pile Brush Surface Mounted, Adjustable Astragal | Meeting Stile | \$ 34.70 | \$ 113.89 |
| 155D | Dark Bronze Anodized / Pile Brush Surface Mounted, Adjustable Astragal | Meeting Stile | \$ 34.70 | \$ 113.89 |
| 155G | Gold Anodized / Pile Brush Surface Mounted, Adjustable Astragal | Meeting Stile | \$ 34.70 | \$ 113.89 |
| 156AA | Clear Anodized / Pile Brush, Mortised, Adjustable | Meeting Stile | \$ 22.54 | \$ 73.94 |
| 156BK | Black Anodized / Pile Brush Mortised, Adjustable Astragal | Meeting Stile | \$ 33.05 | \$ 108.46 |
| 156D | Dark Bronze Anodized / Pile Brush Mortised, Adjustable Astragal | Meeting Stile | \$ 33.05 | \$ 108.46 |
| 156G | Gold Anodized / Pile Brush Mortised, Adjustable Astragal | Meeting Stile | \$ 33.05 | \$ 108.46 |
| 159FS-A | Aluminum Track Intumescent Fire Stop | Meeting Stile | \$ 15.48 | \$ 50.78 |
| 164A | Aluminum / Smooth Top 4" (101.6) x 1/2" (12.7) | Threshold | \$ 15.70 | \$ 51.51 |
| 164BK | Black Anod. / Smooth Top 4" (101.6) x 1/2" (12.7) | Threshold | \$ 21.60 | \$ 70.84 |
| 164D | Dark Bronze Anod. / Smooth Top 4" (101.6) x 1/2" (12.7) | Threshold | \$ 21.60 | \$ 70.84 |
| 164G | Gold Anod. / Smooth Top 4" (101.6) x 1/2" (12.7) | Threshold | \$ 21.60 | \$ 70.84 |
| 164B | Bronze / Smooth Top 4" (101.6) x 1/2" (12.7) | Threshold | \$ 59.61 | \$ 195.58 |
| 168A** | Aluminum Threshold Rest 3/4" (19.1) | Threshold | \$ 11.24 | \$ 36.88 |
| 168BK** | Black Anod. Threshold Rest 3/4" (19.1) | Threshold | \$ 15.54 | \$ 50.97 |
| 168D** | Dark Bronze Anod. Threshold Rest 3/4" (19.1) | Threshold | \$ 15.54 | \$ 50.97 |
| 168G** | Gold Anod. Threshold Rest 3/4" (19.1) | Threshold | \$ 15.54 | \$ 50.97 |
| 168B** | Bronze Threshold Rest 3/4" (19.1) | Threshold | \$ 37.24 | \$ 122.21 |
| 170AA* | Clear Anodized / Adjustable Sound Seal | Gasketing | \$ 24.02 | \$ 78.80 |
| 170BK* | Black Anodized / Adjustable Sound Seal | Gasketing | \$ 31.78 | \$ 104.25 |
| 170D* | Dark Bronze Anodized / Adjustable Sound Seal | Gasketing | \$ 31.78 | \$ 104.25 |
| 170G* | Gold Anodized / Adjustable Sound Seal | Gasketing | \$ 31.78 | \$ 104.25 |
| 175A | Aluminum / Water Return option 5" (127.0) | Threshold | \$ 17.91 | \$ 58.77 |
| 175BK | Black Anod. / Water Return option 5" (127.0) | Threshold | \$ 24.72 | \$ 81.09 |
| 175D | Dark Bronze Anod. / Water Return option 5" (127.0) | Threshold | \$ 24.72 | \$ 81.09 |
| 175G | Gold Anod. / Water Return option 5" (127.0) | Threshold | \$ 24.72 | \$ 81.09 |
| 175B | Bronze / Water Return option 5" (127.0) | Threshold | \$ 110.78 | \$ 363.51 |
| 188BIO | Antibacterial Rubber / Brown / PSA | Weather Stripping | \$ 2.14 | \$ 7.03 |
| 188FS | Intumescent/ Silicone/ PSA | Weather Stripping | \$ 3.61 | \$ 11.81 |
| 188S-BK | Silicone / Black / PSA | Weather Stripping | \$ 1.95 | \$ 6.41 |
| 188S-BR | Silicone / Brown / PSA | Weather Stripping | \$ 1.95 | \$ 6.41 |

| PART NUMBER | DESCRIPTION | TYPE | LIST PRICE PER FOOT | LIST PRICE PER METER |
|-------------|---|--------------------|---------------------|----------------------|
| 188S-CL | Silicone / Clear / PSA | Weather Stripping | \$ 1.95 | \$ 6.41 |
| 188S-GY | Silicone / Grey / PSA | Weather Stripping | \$ 1.95 | \$ 6.41 |
| 188S-WH | Silicone / White / PSA | Weather Stripping | \$ 1.95 | \$ 6.41 |
| 221 - 226 | Optional Threshold Anchors. See back cover for more information. | Fasteners | See back cover | \$ - |
| 232A** | Aluminum Ramp 6" (152.4) 1/2" (12.7) to 1" (25.4) Ramp | Threshold | \$ 28.29 | \$ 92.82 |
| 232BK** | Black Anodized Ramp 6" (152.4) 1/2" (12.7) to 1" (25.4) Ramp | Threshold | \$ 37.39 | \$ 122.63 |
| 232D** | Dark Bronze Anodized Ramp 6" (152.4) 1/2" (12.7) to 1" (25.4) Ramp | Threshold | \$ 37.39 | \$ 122.63 |
| 232G** | Gold Anodized Ramp 6" (152.4) 1/2" (12.7) to 1" (25.4) Ramp | Threshold | \$ 37.39 | \$ 122.63 |
| 233A** | Aluminum Ramp 3" (76.2) | Threshold | \$ 12.90 | \$ 42.29 |
| 233BK** | Black Anodized Ramp 3" (76.2) | Threshold | \$ 18.05 | \$ 59.20 |
| 233D** | Dark Bronze Anodized Ramp 3" (76.2) | Threshold | \$ 18.05 | \$ 59.20 |
| 233G** | Gold Anodized Ramp 3" (76.2) | Threshold | \$ 18.05 | \$ 59.20 |
| 234A** | Aluminum Ramp 3" (76.2) 1/4" (6.4) to 1/2" (12.7) Ramp | Threshold | \$ 12.90 | \$ 42.29 |
| 234BK** | Black Anod. Ramp 3" (76.2), 0 to 1/4" (6.4) Ramp | Threshold | \$ 18.05 | \$ 59.20 |
| 234D** | Dark Bronze Anod. Ramp 3" (76.2) 0 to 1/4" (6.4) to 1/2" (12.7) Ramp | Threshold | \$ 18.05 | \$ 59.20 |
| 234G** | Gold Anod. Ramp 3" (76.2), 0 to 1/4" (6.4) Ramp | Threshold | \$ 18.05 | \$ 59.20 |
| 235A** | Aluminum Ramp 3" (76.2), 0 to 1/4" (6.4) Ramp | Threshold | \$ 12.90 | \$ 42.29 |
| 235BK** | Black Anod. Ramp 3" (76.2), 0 to 1/4" (6.4) Ramp | Threshold | \$ 18.05 | \$ 59.20 |
| 235D** | Dark Bronze Anod. Ramp 3" (76.2) 0 to 1/4" (6.4) to 1/2" (12.7) Ramp | Threshold | \$ 18.05 | \$ 59.20 |
| 235G** | Gold Anod. Ramp 3" (76.2), 0 to 1/4" (6.4) Ramp | Threshold | \$ 18.05 | \$ 59.20 |
| 236A** | Aluminum Ramp 6" (152.4) | Threshold | \$ 17.07 | \$ 56.03 |
| 236BK** | Black Anod. Ramp 6" (152.4) | Threshold | \$ 23.88 | \$ 78.32 |
| 236D** | Dark Bronze Anod. Ramp 6" (152.4) | Threshold | \$ 23.88 | \$ 78.32 |
| 236G** | Gold Anod. Ramp 6" (152.4) | Threshold | \$ 23.88 | \$ 78.32 |
| 237A** | Aluminum Ramp 3 1/2" (88.9), 1/4" to 1/2" (12.7) | Threshold | \$ 18.76 | \$ 61.52 |
| 237BK** | Black Anod. Ramp 3 1/2" (88.9), 1/4" to 1/2" (12.7) | Threshold | \$ 25.56 | \$ 83.86 |
| 237D** | Dark Bronze Anod. Ramp 3 1/2" (88.9), 1/4" to 1/2" (12.7) | Threshold | \$ 25.56 | \$ 83.86 |
| 237G** | Gold Anod. Ramp 3 1/2" (88.9), 1/4" to 1/2" (12.7) | Threshold | \$ 25.56 | \$ 83.86 |
| 238A** | Aluminum Ramp 3 1/2" (88.9), 1/4" to 3/4" (19.1) | Threshold | \$ 18.76 | \$ 61.52 |
| 238BK** | Black Anod. Ramp 3 1/2" (88.9), 1/4" to 3/4" (19.1) | Threshold | \$ 25.56 | \$ 83.86 |
| 238D** | Dark Bronze Anod. Ramp 3 1/2" (88.9), 1/4" to 3/4" (19.1) | Threshold | \$ 25.56 | \$ 83.86 |
| 238G** | Gold Anod. Ramp 3 1/2" (88.9), 1/4" to 3/4" (19.1) | Threshold | \$ 25.56 | \$ 83.86 |
| 253A | Aluminum / Neoprene Insert / Mortised | Door Sweep | \$ 6.18 | \$ 20.27 |
| 253FS-A | Aluminum / Intumescent Fire Stop / Mortised | Door Sweep | \$ 18.24 | \$ 59.85 |
| 254A | Aluminum Track / Pile Insert / Mortised | Door Sweep | \$ 6.65 | \$ 21.83 |
| 254P-GY | .875" wide Poly Pile | Replacement Gasket | \$ 5.39 | \$ 17.71 |
| 254P-GY PSA | .875" wide poly pile PSA | Replacement Gasket | \$ 5.93 | \$ 19.48 |
| 255AA | Clear Anodized / Adjustable Surface Sweep with Spring / Pile Insert | Door Sweep | \$ 22.12 | \$ 72.60 |
| 255BK | Black Anodized / Adjustable surface Sweep with Spring / Pile Insert | Door Sweep | \$ 31.96 | \$ 104.88 |
| 255D | Dark Bronze Anodized / Adjustable surface Sweep with Spring / Pile Insert | Door Sweep | \$ 31.96 | \$ 104.88 |
| 255G | Gold Anodized / Adjustable surface Sweep with Spring / Pile Insert | Door Sweep | \$ 31.96 | \$ 104.88 |
| 259R** | Rubber ramp 6" (152.4) x 1/2" (12.7) | Threshold | \$ 31.11 | \$ 102.06 |
| 265A | Aluminum 5" (127.0) / Neoprene Stop | Threshold | \$ 17.74 | \$ 58.20 |
| 265BK | Black Anod. 5" (127.0) / Neoprene Stop | Threshold | \$ 24.44 | \$ 80.18 |
| 265D | Dark Bronze Anod. 5" (127.0) / Neoprene Stop | Threshold | \$ 24.44 | \$ 80.18 |
| 265G | Gold Anod. 5" (127.0) / Neoprene Stop | Threshold | \$ 24.44 | \$ 80.18 |
| 267A | Aluminum 2.155" (54.7) / Neoprene Stop | Threshold | \$ 14.32 | \$ 46.99 |
| 267BK | Black Anod. 2.155" (54.7) / Neoprene Stop | Threshold | \$ 19.99 | \$ 65.59 |
| 267D | Dark Bronze Anod. 2.155" (54.7) / Neoprene Stop | Threshold | \$ 19.99 | \$ 65.59 |

*Comes standard with mitered corners when ordered a set. If ordering mitered corners as a stick, please specify handing. If non-mitered corners is wanted, please specify and order as an individual stick length.
**Supplied without mounting holes.

| PART NUMBER | DESCRIPTION | TYPE | LIST PRICE PER FOOT | LIST PRICE PER METER |
|-------------|--|--|---|--------------------------------------|
| 267G | Gold Anod. 2.155" (54.7) / Neoprene Stop | Threshold | \$ 19.99 | \$ 65.59 |
| 268A** | Aluminum Threshold Rest 3/8" (9.5) | Threshold | \$ 5.85 | \$ 19.18 |
| 268BK** | Black Anod. Threshold Rest 3/8" (9.5) | Threshold | \$ 8.13 | \$ 26.64 |
| 268D** | Dark Bronze Anod. Threshold Rest 3/8" (9.5) | Threshold | \$ 8.13 | \$ 26.64 |
| 268G** | Gold Anod. Threshold Rest 3/8" (9.5) | Threshold | \$ 8.13 | \$ 26.64 |
| 268B** | Bronze Threshold Rest 3/8" (9.5) | Threshold | \$ 29.08 | \$ 95.40 |
| 269A** | 1/2" Aluminum Assembly Connector | Threshold | \$ 7.15 | \$ 23.47 |
| 270A | Aluminum Door Stop / Neoprene | Gasketing | \$ 10.40 | \$ 34.12 |
| 270BK | Black Anodized Door Stop / Neoprene | Gasketing | \$ 14.37 | \$ 47.50 |
| 270D | Dark Bronze Anodized Door Stop / Neoprene | Gasketing | \$ 14.37 | \$ 47.50 |
| 270G | Gold Anodized Door Stop / Neoprene | Gasketing | \$ 14.37 | \$ 47.50 |
| 272A | Aluminum Door Stop / Neoprene | Gasketing | \$ 10.40 | \$ 34.12 |
| 272BK | Black Anodized Door Stop / Neoprene | Gasketing | \$ 14.37 | \$ 47.50 |
| 272D | Dark Bronze Anodized Door Stop / Neoprene | Gasketing | \$ 14.37 | \$ 47.50 |
| 272G | Gold Anodized Door Stop / Neoprene | Gasketing | \$ 14.37 | \$ 47.50 |
| 302FS-AA | Clear Anodized/ Neoprene/ Intumet Fire Stop | Gasketing | \$ 9.63 | \$ 31.60 |
| 302FS-B | Bronze / Neoprene Intumescent Fire Stop | Gasketing | \$ 26.03 | \$ 85.45 |
| 302FS-BK | Black Anodized / Neoprene / Intumet Fire Stop | Gasketing | \$ 12.71 | \$ 41.67 |
| 302FS-D | Dark Bronze Anodized / Neoprene / Intumet Fire Stop | Gasketing | \$ 12.71 | \$ 41.67 |
| 302FS-G | Gold Anodized / Neoprene Intumescent Fire Stop | Gasketing | \$ 12.71 | \$ 41.67 |
| 304A | Aluminum Butt Threshold 11/2" (38.1) wide | Threshold | \$ 7.33 | \$ 24.04 |
| 304BK | Black Anod. Butt Threshold 11/2" (38.1) wide | Threshold | \$ 10.17 | \$ 33.34 |
| 304D | Dark Bronze Anod. Butt Threshold 11/2" (38.1) wide | Threshold | \$ 10.17 | \$ 33.34 |
| 304G | Gold Anod. Butt Threshold 11/2" (38.1) wide | Threshold | \$ 10.17 | \$ 33.34 |
| 312A | Aluminum / Neoprene | Gasketing | \$ 5.62 | \$ 18.43 |
| 312BK | Black Anodized/ Neoprene | Gasketing | \$ 7.90 | \$ 25.89 |
| 312D | Dark Bronze Anodized/ Neoprene | Gasketing | \$ 7.90 | \$ 25.89 |
| 312G | Gold Anodized/ Neoprene | Gasketing | \$ 7.90 | \$ 25.89 |
| 312N | Neoprene, 3/16" (4.7) x 1/2" (12.7) | Replacement Gasket | \$ 1.52 | \$ 5.00 |
| 312N-PSA | Neoprene with PSA 3/16" (4.7) x 1/2" (12.7) | Gasketing | \$ 1.80 | \$ 5.92 |
| 314AA | Clear Anodized / Neoprene | Gasketing | \$ 8.91 | \$ 29.26 |
| 314B | Bronze / Neoprene | Gasketing | \$ 22.55 | \$ 74.02 |
| 314BK | Black Anodized / Neoprene | Gasketing | \$ 10.23 | \$ 33.54 |
| 314D | Dark Bronze Anodized / Neoprene | Gasketing | \$ 10.23 | \$ 33.54 |
| 314G | Gold Anodized / Neoprene | Gasketing | \$ 10.23 | \$ 33.54 |
| 314N | .75"X.125" Closed Cell Sponge Neoprene - Rectangular Extrusion | Replacement Gasket | \$ 2.40 | \$ 7.91 |
| 314N-PSA | .75"X.125" Closed Cell Sponge Neoprene - Rectangular Extrusion W/PSA | Replacement Gasket | \$ 3.99 | \$ 13.13 |
| 318AA | Clear Anodized / Neoprene | Gasketing | \$ 10.50 | \$ 34.40 |
| 318BK | Black Anodized / Neoprene | Gasketing | \$ 11.67 | \$ 38.31 |
| 318D | Dark Bronze Anodized / Neoprene | Gasketing | \$ 11.67 | \$ 38.31 |
| 318G | Gold Anodized / Neoprene | Gasketing | \$ 11.67 | \$ 38.31 |
| 318N | Closed Cell Sponge Neoprene Black 3/8" (9.5) x 3/4" (19.1) | Gasketing | \$ 3.33 | \$ 10.94 |
| 318N-PSA | Closed Cell Sponge Neoprene Black 3/8" (9.5) x 3/4" (19.1) with PSA | Replacement Gasket | \$ 5.72 | \$ 18.77 |
| 320AA | Aluminum / Lite Duty Mortised Automatic Door Bottom | 10"-18" (305-457) 18 1/8"-36" (460-914) 36 1/8"-48" (917-1219) 48 1/8"-54" (1222-1371) 54 1/8"-60" (1375-1524) | \$ 61.02 \$ 50.84 \$ 54.19 \$ 67.73 \$ 84.00 | each each each each each |
| 320N | .406" Wide Split Bulb Seal - Neoprene | Replacement Gasket | \$ 4.25 | \$ 13.98 |
| 321AA | Clear Anodized / Lite Duty Mortised Automatic Door Bottom Handing is reversible in field. | 10"-18" (305-457) 18 1/8"-36" (460-914) 36 1/8"-48" (917-1219) 48 1/8"-54" (1222-1371) 54 1/8"-60" (1375-1524) | \$ 67.48 \$ 57.44 \$ 73.95 \$ 92.58 \$ 115.70 | each each each each each |

| PART NUMBER | DESCRIPTION | TYPE | LIST PRICE PER FOOT | LIST PRICE PER METER |
|-------------|--|--|--|--------------------------------------|
| 321BK | Black Anodized / Lite Duty Mortised Automatic Door Bottom Handing is reversible in field. | 10"-18" (305-457) 18 1/8"-36" (460-914) 36 1/8"-48" (917-1219) 48 1/8"-54" (1222-1371) 54 1/8"-60" (1375-1524) | \$ 82.63 \$ 68.86 \$ 95.22 \$ 119.00 \$ 148.74 | each each each each each |
| 321D | Dark Bronze Anodized / Lite Duty Mortised Automatic Door Bottom Handing is reversible in field. | 10"-18" (305-457) 18 1/8"-36" (460-914) 36 1/8"-48" (917-1219) 48 1/8"-54" (1222-1371) 54 1/8"-60" (1375-1524) | \$ 82.63 \$ 68.86 \$ 95.22 \$ 119.00 \$ 148.74 | each each each each each |
| 321G | Gold Anodized / Lite Duty Mortised Automatic Door Bottom Handing is reversible in field. | 10"-18" (305-457) 18 1/8"-36" (460-914) 36 1/8"-48" (917-1219) 48 1/8"-54" (1222-1371) 54 1/8"-60" (1375-1524) | \$ 82.63 \$ 68.86 \$ 95.22 \$ 119.00 \$ 148.74 | each each each each each |
| 322A | Aluminum with neoprene | Gasketing | \$ 10.50 | \$ 34.40 |
| 322BK | Black Anodizing with neoprene | Gasketing | \$ 14.70 | \$ 34.40 |
| 322D | Dark Bronze Anodizing with neoprene | Gasketing | \$ 14.70 | \$ 34.40 |
| 322G | Gold Anodizing with neoprene | Gasketing | \$ 14.70 | \$ 34.40 |
| 323AA | Aluminum / Mortised, Automatic Door Bottom Handed | 10"-18" (305-457) 18 1/8"-36" (460-914) 36 1/8"-48" (917-1219) 48 1/8"-54" (1222-1371) 54 1/8"-60" (1375-1524) | \$ 59.53 \$ 49.62 \$ 52.87 \$ 66.08 \$ 82.58 | each each each each each |
| 326AA | Clear Anodized / Neoprene | Gasketing | \$ 9.61 | \$ 31.55 |
| 326B | Bronze / Neoprene | Gasketing | \$ 24.57 | \$ 80.60 |
| 326BK | Black Anodized / Neoprene | Gasketing | \$ 12.96 | \$ 42.51 |
| 326D | Dark Bronze Anodized / Neoprene | Gasketing | \$ 12.96 | \$ 42.51 |
| 326G | Gold Anodized/ Neoprene | Gasketing | \$ 12.96 | \$ 42.51 |
| 326N | 1.006" Wide Dual Bulb and Lip Seal - Neoprene | Replacement Gasket | \$ 5.19 | \$ 17.03 |
| 328AA | Clear Anodized/ Neoprene | Gasketing | \$ 9.30 | \$ 30.54 |
| 328B | Bronze / Neoprene | Gasketing | \$ 22.55 | \$ 74.02 |
| 328BK | Black Anodized / Neoprene | Gasketing | \$ 12.56 | \$ 41.24 |
| 328D | Dark Bronze Anodized / Neoprene | Gasketing | \$ 12.56 | \$ 41.24 |
| 328G | Gold Anodized / Neoprene | Gasketing | \$ 12.56 | \$ 41.24 |
| 328FS-AA | Clear Anodized / Neoprene Intumescent Fire Stop | Gasketing | \$ 13.72 | \$ 45.02 |
| 328FS-BK | Black Anodized / Neoprene Intumescent Fire Stop | Gasketing | \$ 18.18 | \$ 59.66 |
| 328FS-D | Dark Bronze Anodized / Neoprene Intumescent Fire Stop | Gasketing | \$ 18.18 | \$ 59.66 |
| 328FS-G | Gold Anodized / Neoprene Intumescent Fire Stop | Gasketing | \$ 18.18 | \$ 59.66 |
| 328N | 7/8" Wide Neoprene Insert | Replacement Gasket | \$ 4.53 | \$ 14.83 |
| 328SPB | Steel Prime Closer/Coordinator Plate Bracket | General | \$ 31.31 | Each |
| 329AA | Clear Anodized w/ Beveled Neoprene | Gasketing | \$ 7.51 | \$ 24.63 |
| 329B | Bronze with Beveled Neoprene | Gasketing | \$ 20.79 | \$ 68.20 |
| 329BK | Black Anod. / Beveled Neoprene | Gasketing | \$ 11.60 | \$ 38.03 |
| 329D | Dark Bronze Anod. / Beveled Neoprene | Gasketing | \$ 11.60 | \$ 38.03 |
| 329G | Gold Anodized / Beveled Neoprene | Gasketing | \$ 11.60 | \$ 38.03 |
| 339AA | Clear Anodized / Neoprene | Gasketing | \$ 8.28 | \$ 27.19 |
| 339B | Bronze / Neoprene | Gasketing | \$ 22.55 | \$ 74.02 |
| 339BK | Black Anodized / Neoprene | Gasketing | \$ 12.72 | \$ 41.70 |
| 339D | Dark Bronze Anodized / Neoprene | Gasketing | \$ 12.72 | \$ 41.70 |
| 339G | Gold Anodized / Neoprene | Gasketing | \$ 12.72 | \$ 41.70 |
| 339FS-AA | Clear Anodized / Neoprene/ Intumet | Door Sweep | \$ 13.72 | \$ 45.02 |
| 339FS-BK | Black Anod./Neoprene/ Intumet | Door Sweep | \$ 17.87 | \$ 58.63 |
| 339FS-D | Dark Bronze Anod./Neoprene/ Intumet | Door Sweep | \$ 17.87 | \$ 58.63 |
| 339FS-G | Gold Anod./Neoprene/ Intumet | Door Sweep | \$ 17.87 | \$ 58.63 |
| 339WAA | Clear Anodized / Neoprene | Gasketing | \$ 11.36 | \$ 37.24 |
| 339WB | Bronze / Neoprene | Gasketing | \$ 23.56 | \$ 77.30 |
| 339WBK | Black Anodized / Neoprene | Gasketing | \$ 15.13 | \$ 49.63 |
| 339WD | Dark Bronze Anodized / Neoprene | Gasketing | \$ 15.13 | \$ 49.63 |
| 339WG | Gold Anodized / Neoprene | Gasketing | \$ 15.13 | \$ 49.63 |

| PART NUMBER | DESCRIPTION | TYPE | LIST PRICE PER FOOT | LIST PRICE PER METER |
|-----------------|--|-------------------------|---------------------|----------------------|
| 350AA | Clear Anodized / Mortised Automatic Door Bottom | 10"-18" (305-457) | \$ 79.22 | each |
| | | 18 1/8"-36" (460-914) | \$ 59.89 | each |
| | | 36 1/8"-48" (917-1219) | \$ 63.81 | each |
| | | 48 1/8"-54" (1222-1371) | \$ 79.71 | each |
| | | 54 1/8"-60" (1375-1524) | \$ 99.72 | each |
| 350AA-LS | Clear Anodized / Mortised Automatic Door Bottom / Light Spring - Low Force | 10"-18" (305-457) | \$ 84.66 | each |
| | | 18 1/8"-36" (460-914) | \$ 67.68 | each |
| | | 36 1/8"-48" (917-1219) | \$ 71.73 | each |
| 351AA | Clear Anodized Automatic Door Bottom | 10"-18" (305-457) | \$ 90.58 | each |
| | | 18 1/8"-36" (460-914) | \$ 72.46 | each |
| | | 36 1/8"-48" (917-1219) | \$ 87.05 | each |
| | | 48 1/8"-54" (1222-1371) | \$ 108.86 | each |
| | | 54 1/8"-60" (1375-1524) | \$ 136.09 | each |
| 351AA-LS | Clear Anodized Automatic Door Bottom / Light Spring - Low Force | 10"-18" (305-457) | \$ 98.07 | each |
| | | 18 1/8"-36" (460-914) | \$ 78.48 | each |
| | | 36 1/8"-48" (917-1219) | \$ 93.06 | each |
| | | | | |
| 351BK | Black Anodized Automatics Door Bottom | 10"-18" (305-457) | \$ 101.30 | each |
| | | 18 1/8"-36" (460-914) | \$ 81.02 | each |
| | | 36 1/8"-48" (917-1219) | \$ 111.97 | each |
| | | 48 1/8"-54" (1222-1371) | \$ 139.99 | each |
| | | 54 1/8"-60" (1375-1524) | \$ 175.00 | each |
| 351BK-LS | Black Anodized Automatic Door Bottom - Light Spring - Low Force | 10"-18" (305-457) | \$ 109.02 | each |
| | | 18 1/8"-36" (460-914) | \$ 87.19 | each |
| | | 36 1/8"-48" (917-1219) | \$ 118.37 | each |
| | | | | |
| 351D | Dark Bronze Anodized Automatics Door Bottom | 10"-18" (305-457) | \$ 101.30 | each |
| | | 18 1/8"-36" (460-914) | \$ 81.02 | each |
| | | 36 1/8"-48" (917-1219) | \$ 111.97 | each |
| | | 48 1/8"-54" (1222-1371) | \$ 139.99 | each |
| | | 54 1/8"-60" (1375-1524) | \$ 175.00 | each |
| 351D-LS | Dark Bronze Anodized Automatic Door Bottom - Light Spring - Low Force | 10"-18" (305-457) | \$ 109.02 | each |
| | | 18 1/8"-36" (460-914) | \$ 87.19 | each |
| | | 36 1/8"-48" (917-1219) | \$ 118.37 | each |
| | | | | |
| 351G | Gold Anodized Automatics Door Bottom | 10"-18" (305-457) | \$ 101.30 | each |
| | | 18 1/8"-36" (460-914) | \$ 81.02 | each |
| | | 36 1/8"-48" (917-1219) | \$ 111.97 | each |
| | | 48 1/8"-54" (1222-1371) | \$ 139.99 | each |
| | | 54 1/8"-60" (1375-1524) | \$ 175.00 | each |
| 351G-LS | Gold Anodized Automatic Door Bottom - Light Spring - Low Force | 10"-18" (305-457) | \$ 109.02 | each |
| | | 18 1/8"-36" (460-914) | \$ 87.19 | each |
| | | 36 1/8"-48" (917-1219) | \$ 118.37 | each |
| | | | | |
| 351S-BK | .433" Wide Silicone Extrusion | Replacement Gasket | \$ 4.62 | \$ 15.17 |
| 352AA | Clear Anodized Automatic Door Bottom | 10"-18" (305-457) | \$ 90.58 | each |
| | | 18 1/8"-36" (460-914) | \$ 72.46 | each |
| | | 36 1/8"-48" (917-1219) | \$ 87.05 | each |
| | | 48 1/8"-54" (1222-1371) | \$ 108.86 | each |
| | | 54 1/8"-60" (1375-1524) | \$ 136.09 | each |
| 352AA-LS | Clear Anodized Automatic Door Bottom / Light Spring - Low Force | 10"-18" (305-457) | \$ 98.07 | each |
| | | 18 1/8"-36" (460-914) | \$ 78.48 | each |
| | | 36 1/8"-48" (917-1219) | \$ 93.06 | each |
| | | | | |
| 352BK | Black Anodized Automatic Door Bottom | 10"-18" (305-457) | \$ 101.30 | each |
| | | 18 1/8"-36" (460-914) | \$ 81.02 | each |
| | | 36 1/8"-48" (917-1219) | \$ 111.97 | each |
| | | 48 1/8"-54" (1222-1371) | \$ 139.99 | each |
| | | 54 1/8"-60" (1375-1524) | \$ 175.00 | each |
| 352BK-LS | Black Anodized Automatic Door Bottom - Light Spring - Low Force | 10"-18" (305-457) | \$ 109.02 | each |
| | | 18 1/8"-36" (460-914) | \$ 87.19 | each |
| | | 36 1/8"-48" (917-1219) | \$ 118.37 | each |
| | | | | |
| 352D | Dark Bronze Anodized Automatic Door Bottom | 10"-18" (305-457) | \$ 101.30 | each |
| | | 18 1/8"-36" (460-914) | \$ 81.02 | each |
| | | 36 1/8"-48" (917-1219) | \$ 111.97 | each |
| | | 48 1/8"-54" (1222-1371) | \$ 139.99 | each |
| | | 54 1/8"-60" (1375-1524) | \$ 175.00 | each |
| 352D-LS | Dark Bronze Anodized Automatic Door Bottom - Light Spring - Low Force | 10"-18" (305-457) | \$ 109.02 | each |
| | | 18 1/8"-36" (460-914) | \$ 87.19 | each |
| | | 36 1/8"-48" (917-1219) | \$ 118.37 | each |
| | | | | |
| 352G | Gold Anodized Automatic Door Bottom | 10"-18" (305-457) | \$ 101.30 | each |
| | | 18 1/8"-36" (460-914) | \$ 81.02 | each |
| | | 36 1/8"-48" (917-1219) | \$ 111.97 | each |
| | | 48 1/8"-54" (1222-1371) | \$ 139.99 | each |
| | | 54 1/8"-60" (1375-1524) | \$ 175.00 | each |

| PART NUMBER | DESCRIPTION | TYPE | LIST PRICE PER FOOT | LIST PRICE PER METER |
|-----------------|--|-------------------------|---------------------|----------------------|
| 352G-LS | Gold Anodized Automatic Door Bottom - Light Spring - Low Force | 10"-18" (305-457) | \$ 109.02 | each |
| | | 18 1/8"-36" (460-914) | \$ 87.19 | each |
| | | 36 1/8"-48" (917-1219) | \$ 118.37 | each |
| 355AA | Aluminum / Mortised Automatic Door Bottom Regular Duty | 10"-36" (254-914) | \$ 60.05 | each |
| | | 36 1/8"-48" (917-1219) | \$ 68.05 | each |
| | | 48 1/8"-54" (1222-1371) | \$ 83.42 | each |
| 360AA | Clear Anodized / Mortised Automatic Door Bottom Heavy Duty | 10"-18" (305-457) | \$ 109.25 | each |
| | | 18 1/8"-36" (460-914) | \$ 87.37 | each |
| | | 36 1/8"-48" (917-1219) | \$ 99.14 | each |
| | | 48 1/8"-54" (1222-1371) | \$ 123.99 | each |
| | | 54 1/8"-60" (1375-1524) | \$ 159.88 | each |
| 361AA | Clear Anodized Automatic Door Bottom/Heavy Duty | 10"-18" (305-457) | \$ 128.07 | each |
| | | 18 1/8"-36" (460-914) | \$ 101.07 | each |
| | | 36 1/8"-48" (917-1219) | \$ 112.06 | each |
| | | 48 1/8"-54" (1222-1371) | \$ 140.10 | each |
| | | 54 1/8"-60" (1375-1524) | \$ 175.14 | each |
| 361BK | Black Anodized Automatic Door Bottom/Heavy Duty | 10"-18" (305-457) | \$ 169.86 | each |
| | | 18 1/8"-36" (460-914) | \$ 135.87 | each |
| | | 36 1/8"-48" (917-1219) | \$ 142.03 | each |
| | | 48 1/8"-54" (1222-1371) | \$ 177.55 | each |
| | | 54 1/8"-60" (1375-1524) | \$ 221.93 | each |
| 361D | Dark Bronze Anodized Automatic Door Bottom/Heavy Duty | 10"-18" (305-457) | \$ 169.86 | each |
| | | 18 1/8"-36" (460-914) | \$ 135.87 | each |
| | | 36 1/8"-48" (917-1219) | \$ 142.03 | each |
| | | 48 1/8"-54" (1222-1371) | \$ 177.55 | each |
| | | 54 1/8"-60" (1375-1524) | \$ 221.93 | each |
| 361G | Gold Anodized Automatic Door Bottom/Heavy Duty | 10"-18" (305-457) | \$ 169.86 | each |
| | | 18 1/8"-36" (460-914) | \$ 135.87 | each |
| | | 36 1/8"-48" (917-1219) | \$ 142.03 | each |
| | | 48 1/8"-54" (1222-1371) | \$ 177.55 | each |
| | | 54 1/8"-60" (1375-1524) | \$ 221.93 | each |
| 362AA | Clear Anodized Automatic Door Bottom/Heavy Duty | 10"-18" (305-457) | \$ 128.07 | each |
| | | 18 1/8"-36" (460-914) | \$ 101.07 | each |
| | | 36 1/8"-48" (917-1219) | \$ 112.06 | each |
| | | 48 1/8"-54" (1222-1371) | \$ 140.10 | each |
| | | 54 1/8"-60" (1375-1524) | \$ 175.14 | each |
| 362BK | Black Anodized Automatic Door Bottom/Heavy Duty | 10"-18" (305-457) | \$ 169.86 | each |
| | | 18 1/8"-36" (460-914) | \$ 135.87 | each |
| | | 36 1/8"-48" (917-1219) | \$ 142.03 | each |
| | | 48 1/8"-54" (1222-1371) | \$ 177.55 | each |
| | | 54 1/8"-60" (1375-1524) | \$ 221.93 | each |
| 362D | Dark Bronze Anodized Automatic Door Bottom/Heavy Duty | 10"-18" (305-457) | \$ 169.86 | each |
| | | 18 1/8"-36" (460-914) | \$ 135.87 | each |
| | | 36 1/8"-48" (917-1219) | \$ 142.03 | each |
| | | 48 1/8"-54" (1222-1371) | \$ 177.55 | each |
| | | 54 1/8"-60" (1375-1524) | \$ 221.93 | each |
| 362G | Gold Anodized Automatic Door Bottom/Heavy Duty | 10"-18" (305-457) | \$ 169.86 | each |
| | | 18 1/8"-36" (460-914) | \$ 135.87 | each |
| | | 36 1/8"-48" (917-1219) | \$ 142.03 | each |
| | | 48 1/8"-54" (1222-1371) | \$ 177.55 | each |
| | | 54 1/8"-60" (1375-1524) | \$ 221.93 | each |
| 363N | .656" Wide Sponge Neoprene | Replacement Gasket | \$ 5.40 | \$ 17.72 |
| 364AA | Clear Anodized / Mortised Automatic Door Bottom/Heavy Duty | 10"-18" (305-457) | \$ 111.72 | each |
| | | 18 1/8"-36" (460-914) | \$ 89.32 | each |
| | | 36 1/8"-48" (917-1219) | \$ 101.10 | each |
| | | 48 1/8"-54" (1222-1371) | \$ 126.44 | each |
| | | 54 1/8"-60" (1375-1524) | \$ 158.04 | each |
| 364FS-AA | Clear Anodized / Mortised Automatic Door Bottom/Heavy Duty/Intumescent | 18 1/8"-36" (460-914) | \$ 126.88 | each |
| | | 36 1/8"-48" (917-1219) | \$ 149.92 | each |
| | | 48 1/8"-54" (1222-1371) | \$ 221.21 | each |
| | | 54 1/8"-60" (1375-1524) | \$ 265.24 | each |
| 364AA-LS | Clear Anodized / Mortised Automatic Door Bottom / Light Spring - Low Force | 10"-18" (305-457) | \$ 127.16 | each |
| | | 18 1/8"-36" (460-914) | \$ 101.69 | each |
| | | 36 1/8"-48" (917-1219) | \$ 114.29 | each |
| 365AA | Clear Anodized/Automatic Door Bottom / Heavy Duty | 10"-18" (305-457) | \$ 131.39 | each |
| | | 18 1/8"-36" (460-914) | \$ 105.08 | each |
| | | 36 1/8"-48" (917-1219) | \$ 122.08 | each |
| | | 48 1/8"-54" (1222-1371) | \$ 152.62 | each |
| | | 54 1/8"-60" (1375-1524) | \$ 190.75 | each |

| PART NUMBER | DESCRIPTION | TYPE | LIST PRICE PER FOOT | LIST PRICE PER METER | | |
|-------------------------|---|-------------------------|---|-----------------------|--|-------------------|
| 365BK | Black Anodized/Automatic Door Bottom / Heavy Duty | 10"-18" (305-457) | \$ 175.00 | each | | |
| | | 18 1/8"-36" (460-914) | \$ 139.99 | each | | |
| | | 36 1/8"-48" (917-1219) | \$ 142.03 | each | | |
| | | 48 1/8"-54" (1222-1371) | \$ 177.55 | each | | |
| | | 54 1/8"-60" (1375-1524) | \$ 221.93 | each | | |
| 365D | Dark Bronze Anodized/Automatic Door Bottom / Heavy Duty | 10"-18" (305-457) | \$ 175.00 | each | | |
| | | 18 1/8"-36" (460-914) | \$ 139.99 | each | | |
| | | 36 1/8"-48" (917-1219) | \$ 142.03 | each | | |
| | | 48 1/8"-54" (1222-1371) | \$ 177.55 | each | | |
| | | 54 1/8"-60" (1375-1524) | \$ 221.93 | each | | |
| 365G | Gold Anodized/Automatic Door Bottom / Heavy Duty | 10"-18" (305-457) | \$ 175.00 | each | | |
| | | 18 1/8"-36" (460-914) | \$ 139.99 | each | | |
| | | 36 1/8"-48" (917-1219) | \$ 142.03 | each | | |
| | | 48 1/8"-54" (1222-1371) | \$ 177.55 | each | | |
| | | 54 1/8"-60" (1375-1524) | \$ 221.93 | each | | |
| 365FS-AA | Clear Anodized/Automatic Door Bottom/Heavy Duty/Intumescent | 18 1/8"-36" (460-914) | \$ 141.52 | each | | |
| | | 36 1/8"-48" (917-1219) | \$ 169.83 | each | | |
| | | 48 1/8"-54" (1222-1371) | \$ 252.24 | each | | |
| | | 54 1/8"-60" (1375-1524) | \$ 302.66 | each | | |
| | | 365FS-BK | Black Anodized/Automatic Door Bottom/Heavy Duty/Intumescent | 18 1/8"-36" (460-914) | \$ 178.80 | each |
| 36 1/8"-48" (917-1219) | \$ 191.69 | | | each | | |
| 48 1/8"-54" (1222-1371) | \$ 286.03 | | | each | | |
| 54 1/8"-60" (1375-1524) | \$ 343.23 | | | each | | |
| 365FS-D | Dark Bronze Anodized/Automatic Door Bottom/Heavy Duty/Intumescent | | | 18 1/8"-36" (460-914) | \$ 178.80 | each |
| | | 36 1/8"-48" (917-1219) | \$ 191.69 | each | | |
| | | 48 1/8"-54" (1222-1371) | \$ 286.03 | each | | |
| | | 54 1/8"-60" (1375-1524) | \$ 343.23 | each | | |
| | | 365FS-G | Gold Anodized/Automatic Door Bottom/Heavy Duty/Intumescent | 18 1/8"-36" (460-914) | \$ 178.80 | each |
| 36 1/8"-48" (917-1219) | \$ 191.69 | | | each | | |
| 48 1/8"-54" (1222-1371) | \$ 286.03 | | | each | | |
| 54 1/8"-60" (1375-1524) | \$ 343.23 | | | each | | |
| 365AA-LS | Clear Anodized/Automatic Door Bottom/Light Spring-Low Force | | | 10"-18" (305-457) | \$ 138.80 | each |
| | | 18 1/8"-36" (460-914) | \$ 111.08 | each | | |
| | | 36 1/8"-48" (917-1219) | \$ 128.09 | each | | |
| | | 365BK-LS | Black Anodized/Automatic Door Bottom/Light Spring-Low Force | 10"-18" (305-457) | \$ 182.70 | each |
| | | | | 18 1/8"-36" (460-914) | \$ 146.17 | each |
| 36 1/8"-48" (917-1219) | \$ 148.93 | | | each | | |
| 365D-LS | Dark Bronze Anodized/Automatic Door Bottom/Light Spring-Low Force | | | 10"-18" (305-457) | \$ 182.70 | each |
| | | | | 18 1/8"-36" (460-914) | \$ 146.17 | each |
| | | 36 1/8"-48" (917-1219) | \$ 148.24 | each | | |
| | | 365N | .735" Wide Bulb Seal - Neoprene Replacement Gasket | 10"-18" (305-457) | \$ 5.99 | \$ 19.65 |
| | | | | 365G-LS | Gold Anodized/Automatic Door Bottom/Light Spring-Low Force | 10"-18" (305-457) |
| 18 1/8"-36" (460-914) | \$ 146.17 | | | | | each |
| 36 1/8"-48" (917-1219) | \$ 148.24 | | | | | each |
| 366AA | Clear Anodized/Automatic Door Bottom / Heavy Duty | | | | | 10"-18" (305-457) |
| | | 18 1/8"-36" (460-914) | \$ 105.08 | | | each |
| | | 36 1/8"-48" (917-1219) | \$ 122.08 | each | | |
| | | 48 1/8"-54" (1222-1371) | \$ 152.62 | each | | |
| | | 54 1/8"-60" (1375-1524) | \$ 190.75 | each | | |
| 366BK | Black Anodized/Automatic Door Bottom / Heavy Duty | 10"-18" (305-457) | \$ 175.00 | each | | |
| | | 18 1/8"-36" (460-914) | \$ 139.99 | each | | |
| | | 36 1/8"-48" (917-1219) | \$ 142.03 | each | | |
| | | 48 1/8"-54" (1222-1371) | \$ 177.55 | each | | |
| | | 54 1/8"-60" (1375-1524) | \$ 221.93 | each | | |
| 366D | Dark Bronze Anodized/Automatic Door Bottom / Heavy Duty | 10"-18" (305-457) | \$ 175.00 | each | | |
| | | 18 1/8"-36" (460-914) | \$ 139.99 | each | | |
| | | 36 1/8"-48" (917-1219) | \$ 142.03 | each | | |
| | | 48 1/8"-54" (1222-1371) | \$ 177.55 | each | | |
| | | 54 1/8"-60" (1375-1524) | \$ 221.93 | each | | |
| 366G | Gold Anodized/Automatic Door Bottom / Heavy Duty | 10"-18" (305-457) | \$ 175.00 | each | | |
| | | 18 1/8"-36" (460-914) | \$ 139.99 | each | | |
| | | 36 1/8"-48" (917-1219) | \$ 142.03 | each | | |
| | | 48 1/8"-54" (1222-1371) | \$ 177.55 | each | | |
| | | 54 1/8"-60" (1375-1524) | \$ 221.93 | each | | |
| 366FS-AA | Anodized/Automatic Door Bottom/Heavy Duty/Intumescent | 18 1/8"-36" (460-914) | \$ 141.52 | each | | |
| | | 36 1/8"-48" (917-1219) | \$ 169.83 | each | | |
| | | 48 1/8"-54" (1222-1371) | \$ 252.24 | each | | |
| | | 54 1/8"-60" (1375-1524) | \$ 302.66 | each | | |

| PART NUMBER | DESCRIPTION | TYPE | LIST PRICE PER FOOT | LIST PRICE PER METER | | | | | | |
|-------------------------|--|-------------------------|---|-----------------------|--|-------------------|--|-------------------|---|-------------------|
| 366FS-BK | Black Anodized/Automatic Door Bottom/Heavy Duty/Intumescent | 18 1/8"-36" (460-914) | \$ 178.80 | each | | | | | | |
| | | 36 1/8"-48" (917-1219) | \$ 191.69 | each | | | | | | |
| | | 48 1/8"-54" (1222-1371) | \$ 286.03 | each | | | | | | |
| | | 54 1/8"-60" (1375-1524) | \$ 343.23 | each | | | | | | |
| | | 366FS-D | Dark Bronze Anodized/Automatic Door Bottom/Heavy Duty/Intumescent | 18 1/8"-36" (460-914) | \$ 178.80 | each | | | | |
| 36 1/8"-48" (917-1219) | \$ 191.69 | | | each | | | | | | |
| 48 1/8"-54" (1222-1371) | \$ 286.03 | | | each | | | | | | |
| 54 1/8"-60" (1375-1524) | \$ 343.23 | | | each | | | | | | |
| 366FS-G | Gold Anodized/Automatic Door Bottom/Heavy Duty/Intumescent | | | 18 1/8"-36" (460-914) | \$ 178.80 | each | | | | |
| | | 36 1/8"-48" (917-1219) | \$ 191.69 | each | | | | | | |
| | | 48 1/8"-54" (1222-1371) | \$ 286.03 | each | | | | | | |
| | | 54 1/8"-60" (1375-1524) | \$ 343.23 | each | | | | | | |
| | | 366AA-LS | Clear Anodized/Automatic Door Bottom/Light Spring-Low Force | 10"-18" (305-457) | \$ 138.80 | each | | | | |
| 18 1/8"-36" (460-914) | \$ 111.08 | | | each | | | | | | |
| 36 1/8"-48" (917-1219) | \$ 128.09 | | | each | | | | | | |
| 366BK-LS | Black Anodized/Automatic Door Bottom/Light Spring-Low Force | | | 10"-18" (305-457) | \$ 182.70 | each | | | | |
| | | | | 18 1/8"-36" (460-914) | \$ 146.17 | each | | | | |
| | | 36 1/8"-48" (917-1219) | \$ 148.24 | each | | | | | | |
| | | 366D-LS | Dark Bronze Anodized/Automatic Door Bottom/Light Spring-Low Force | 10"-18" (305-457) | \$ 182.70 | each | | | | |
| | | | | 18 1/8"-36" (460-914) | \$ 146.17 | each | | | | |
| 36 1/8"-48" (917-1219) | \$ 148.24 | | | each | | | | | | |
| 366G-LS | Gold Anodized/Automatic Door Bottom/Light Spring-Low Force | | | 10"-18" (305-457) | \$ 182.70 | each | | | | |
| | | | | 18 1/8"-36" (460-914) | \$ 146.17 | each | | | | |
| | | 36 1/8"-48" (917-1219) | \$ 148.24 | each | | | | | | |
| | | 367AA | Clear Anodized/Automatic Door Bottom/Heavy Duty/Acoustic Sound Reduction | 10"-18" (305-457) | \$ 171.74 | each | | | | |
| | | | | 18 1/8"-36" (460-914) | \$ 132.10 | each | | | | |
| 36 1/8"-48" (917-1219) | \$ 151.89 | | | each | | | | | | |
| 367BK | Black Anodized/Automatic Door Bottom/Heavy Duty/Acoustic Sound Reduction | | | 10"-18" (305-457) | \$ 196.97 | each | | | | |
| | | | | 18 1/8"-36" (460-914) | \$ 156.24 | each | | | | |
| | | 36 1/8"-48" (917-1219) | \$ 179.72 | each | | | | | | |
| | | 367D | Dark Bronze Anodized/Automatic Door Bottom/Heavy Duty/Acoustic Sound Reduction | 10"-18" (305-457) | \$ 196.97 | each | | | | |
| | | | | 18 1/8"-36" (460-914) | \$ 156.24 | each | | | | |
| 36 1/8"-48" (917-1219) | \$ 179.72 | | | each | | | | | | |
| 367G | Gold Anodized/Automatic Door Bottom/Heavy Duty/Acoustic Sound Reduction | | | 10"-18" (305-457) | \$ 196.97 | each | | | | |
| | | | | 18 1/8"-36" (460-914) | \$ 156.24 | each | | | | |
| | | 36 1/8"-48" (917-1219) | \$ 179.72 | each | | | | | | |
| | | 367N | Double Wrap ADB Seal - Neoprene Replacement Gasket | 10"-18" (305-457) | \$ 4.70 | \$ 15.47 | | | | |
| | | | | 368AA | Clear Anodized/Automatic Door Bottom/Heavy Duty/Acoustic Sound Reduction | 10"-18" (305-457) | \$ 171.74 | each | | |
| 18 1/8"-36" (460-914) | \$ 132.10 | | | | | each | | | | |
| 36 1/8"-48" (917-1219) | \$ 151.89 | | | | | each | | | | |
| 368BK | Black Anodized/Automatic Door Bottom/Heavy Duty/Acoustic Sound Reduction | | | | | 12"-18" (305-457) | \$ 196.97 | each | | |
| | | 18 1/8"-36" (460-914) | \$ 156.24 | | | each | | | | |
| | | 36 1/8"-48" (917-1219) | \$ 179.72 | each | | | | | | |
| | | 368D | Dark Bronze Anodized/Automatic Door Bottom/Heavy Duty/Acoustic Sound Reduction | 10"-18" (305-457) | \$ 196.97 | each | | | | |
| | | | | 18 1/8"-36" (460-914) | \$ 156.24 | each | | | | |
| 36 1/8"-48" (917-1219) | \$ 179.72 | | | each | | | | | | |
| 368G | Gold Anodized/Automatic Door Bottom/Heavy Duty/Acoustic Sound Reduction | | | 10"-18" (305-457) | \$ 196.97 | each | | | | |
| | | | | 18 1/8"-36" (460-914) | \$ 156.24 | each | | | | |
| | | 36 1/8"-48" (917-1219) | \$ 179.72 | each | | | | | | |
| | | 369AA | Clear Anodized/Mortised Automatic Door Bottom/Heavy Duty/Acoustic Sound Reduction | 10"-18" (305-457) | \$ 150.64 | each | | | | |
| | | | | 18 1/8"-36" (460-914) | \$ 113.28 | each | | | | |
| 36 1/8"-48" (917-1219) | \$ 130.24 | | | each | | | | | | |
| 370A | Aluminum / Magnetic Seal Gasketing | | | 10"-18" (305-457) | \$ 17.53 | \$ 57.52 | | | | |
| | | | | 370D | Dark Bronze Anodized / Magnetic Seal Gasketing | 10"-18" (305-457) | \$ 26.93 | \$ 88.36 | | |
| | | 375AA | Clear Anodized / Magnetic / Snap-On Cover Gasketing | | | 10"-18" (305-457) | \$ 19.10 | \$ 62.65 | | |
| | | | | | | 375D | Dk Bronze Anod. / Magnetic / Snap-On Cover Gasketing | 10"-18" (305-457) | \$ 25.53 | \$ 83.78 |
| | | | | | | | | 376AA | Clear Anodized / Neoprene / Snap-On Cover Gasketing | 10"-18" (305-457) |
| 376BK | Black Anod. / Neoprene/Snap-On Cover Gasketing | | | | | | | | | 10"-18" (305-457) |
| | | | | 376D | Dk Bronze Anod. / Neoprene/Snap-On Cover Gasketing | | | | | 10"-18" (305-457) |
| | | 376G | Gold Anod. / Neoprene/Snap-On Cover Gasketing | | | | | | | 10"-18" (305-457) |
| | | | | | | 381A | Aluminum / Double Neoprene Lip Gasketing | | | 10"-18" (305-457) |
| | | | | | | | | 383AA | Clear Anodized / Double Neoprene Meeting Stiles | 10"-18" (305-457) |
| 383BK | Black Anodized / Double Neoprene Meeting Stiles | | | | | | | | | 10"-18" (305-457) |
| | | | | 383D | Dark Bronze Anodized / Double Neoprene Meeting Stiles | | | | | 10"-18" (305-457) |
| | | 383G | Gold Anodized / Double Neoprene Meeting Stiles | | | | | | | 10"-18" (305-457) |
| | | | | | | 383FS-AA | Clear Anodized / Neoprene / Intumescent Meeting Stiles | | | 10"-18" (305-457) |

| PART NUMBER | DESCRIPTION | TYPE | LIST PRICE PER FOOT | LIST PRICE PER METER |
|----------------------|--|--------------------|---------------------|----------------------|
| 383FS-BK | Black Anod./ Neoprene/ Intumescent | Meeting Stiles | \$ 23.20 | \$ 76.12 |
| 383FS-D | Dark Bronze Anod./ Neoprene/ Intumescent | Meeting Stiles | \$ 23.20 | \$ 76.12 |
| 383FS-G | Gold Anod./ Neoprene/ Intumescent | Meeting Stiles | \$ 23.20 | \$ 76.12 |
| 383N | .687" Tall Tapered Lip Seal - Neoprene | Replacement Gasket | \$ 2.60 | \$ 8.56 |
| 398V | Solid PVC Brown / Pile with Fin Seal / PSA | Meeting Stiles | \$ 7.17 | \$ 23.55 |
| 399V | Solid PVC Brown / Silicone lips/ PSA | Meeting Stiles | \$ 7.17 | \$ 23.55 |
| 400B | Bronze Side Jamb without Return Flange 1 3/4" (44.5) | Weather Stripping | \$ 12.10 | \$ 39.73 |
| 400Z | Zinc Side Jamb without Return Flange 1 3/4" (44.5) | Weather Stripping | \$ 3.25 | \$ 10.67 |
| 429AA | Clear Anodized with Silicone Gasket for use with Coordinator or Closer Bracket | Gasketing | \$ 11.28 | \$ 37.03 |
| 429BK | Black Anodized with Silicone Gasket for use with Coordinator or Closer Bracket | Gasketing | \$ 15.83 | \$ 51.93 |
| 429D | Dark Bronze Anodized with Silicone Gasket for use with Coordinator or Closer Bracket | Gasketing | \$ 15.83 | \$ 51.93 |
| 429G | Gold Anodized with Silicone Gasket for use with Coordinator or Closer Bracket | Gasketing | \$ 15.83 | \$ 51.93 |
| 452A | Aluminum Track / Neoprene | Door Sweep | \$ 11.36 | \$ 37.24 |
| 469A* | 3/8" Aluminum Assembly Connector | Threshold | \$ 5.70 | \$ 18.68 |
| 470AA | Clear Anodized Security Seal / Neoprene | Gasketing | \$ 17.60 | \$ 57.75 |
| 470BK | Black Anod. Security Seal/ Neoprene | Gasketing | \$ 23.10 | \$ 75.77 |
| 470D | Dark Bronze Anod. Security Seal / Neoprene | Gasketing | \$ 23.10 | \$ 75.77 |
| 470G | Gold Anod. Security Seal/ Neoprene | Gasketing | \$ 23.10 | \$ 75.77 |
| 472AA | Clear Anodized Security Seal / Neoprene | Gasketing | \$ 21.78 | \$ 71.46 |
| 472BK | Black Anodized Security Seal / Neoprene | Gasketing | \$ 29.73 | \$ 71.46 |
| 472D | Dark Bronze Anodized Security Seal / Neoprene | Gasketing | \$ 29.73 | \$ 71.46 |
| 472G | Gold Anodized Security Seal / Neoprene | Gasketing | \$ 29.73 | \$ 71.46 |
| 475AA | Clear Anodized / Snap-On Cover / Neoprene Seal | Gasketing | \$ 9.23 | \$ 30.27 |
| 475BK | Black Anodized / Snap-On Cover / Neoprene Seal | Gasketing | \$ 13.53 | \$ 44.39 |
| 475D | Dark Bronze Anodized / Snap-On Cover / Neoprene Seal | Gasketing | \$ 13.53 | \$ 44.39 |
| 475G | Gold Anodized / Snap-On Cover / Neoprene Seal | Gasketing | \$ 13.53 | \$ 44.39 |
| 477AA | Clear Anodized/ Neoprene/ Snap-On Cover | Door Sweep | \$ 8.91 | \$ 29.26 |
| 477BK | Black Anodized / Neoprene / Snap on Cover | Door Sweep | \$ 12.72 | \$ 41.70 |
| 477D | Dark Bronze Anodized / Neoprene / Snap on Cover | Door Sweep | \$ 12.72 | \$ 41.70 |
| 477G | Gold Anodized/ Snap-On Cover/ Neoprene | Door Sweep | \$ 12.72 | \$ 41.70 |
| 477AA END CAP | End Cap for 477 Gasket Housing | End Cap | \$ 5.68 | each |
| 478AA | Clear Anodized / Snap-On Cover / Double Neoprene | Gasketing | \$ 12.99 | \$ 42.61 |
| 478BK | Black Anodized / Snap-On Cover / Double Neoprene | Gasketing | \$ 17.38 | \$ 57.04 |
| 478D | Dark Bronze Anodized / Snap-On Cover / Double Neoprene | Gasketing | \$ 17.38 | \$ 57.04 |
| 478G | Gold Anodized / Snap-On Cover / Double Neoprene | Gasketing | \$ 17.38 | \$ 57.04 |
| 485AA | Aluminum / Neoprene | Gasketing | \$ 6.25 | \$ 20.51 |
| 485BK | Black Anodized / Neoprene | Gasketing | \$ 9.58 | \$ 31.42 |
| 485D | Dark Bronze Anodized / Neoprene | Gasketing | \$ 9.58 | \$ 31.42 |
| 485G | Gold Anodized / Neoprene | Gasketing | \$ 9.58 | \$ 31.42 |
| 486N | .36" Wide Dual Lip and Bulb .176" Wide Base-Neoprene | Replacement Gasket | \$ 3.78 | \$ 12.43 |
| 488BIO | Antibacterial Rubber / Brown / PSA | Weather Stripping | \$ 1.64 | \$ 5.38 |
| 488FS | Intumescent / Silicone / PSA | Weather Stripping | \$ 3.12 | \$ 10.28 |
| 488S-BK | Silicone Seal with PSA, black color | Weather Stripping | \$ 1.49 | \$ 4.89 |
| 488S-BR | Silicone Seal with PSA, brown color | Weather Stripping | \$ 1.49 | \$ 4.89 |
| 488S-CL | Silicone Seal with PSA, clear | Weather Stripping | \$ 1.49 | \$ 4.89 |
| 488S-GY | Silicone Seal with PSA, gray color | Weather Stripping | \$ 1.49 | \$ 4.89 |
| 488S-WH | Silicone Seal with PSA, white color | Weather Stripping | \$ 1.49 | \$ 4.89 |
| 500B | Bronze Side Jamb without Return Flange 2 1/8" (53.1) | Weather Stripping | \$ 13.26 | \$ 43.49 |
| 500Z | Zinc Side Jamb without Return Flange 2 1/8" (53.1) | Weather Stripping | \$ 4.26 | \$ 14.00 |

**Supplied without mounting holes.

| PART NUMBER | DESCRIPTION | TYPE | LIST PRICE PER FOOT | LIST PRICE PER METER |
|----------------|--|--------------------|---------------------|----------------------|
| 511A | Aluminum / Rubber 1/16"(1.6) thick | Door Sweep | \$ 12.11 | \$ 39.76 |
| 511BK | Black Anodizing / Rubber 1/16"(1.6) thick | Door Sweep | \$ 16.64 | \$ 54.59 |
| 511D | Dark Bronze Anod. / Rubber 1/16"(1.6) thick | Door Sweep | \$ 16.64 | \$ 54.59 |
| 511G | Gold Anodizing / Rubber 1/16"(1.6) thick | Door Sweep | \$ 16.64 | \$ 54.59 |
| 520A | Aluminum / Double Neoprene | Gasketing | \$ 11.06 | \$ 36.32 |
| 521FS A | Aluminum/ Intumescent/ Flame Retardant Silicone,for undercut doors | Door Sweep | \$ 23.87 | \$ 78.29 |
| 521S-BK | 1.938" Tall Rectangular Seal - Silicone | Replacement Gasket | \$ 6.33 | \$ 20.79 |
| 522A | Aluminum Threshold 1/2" (12.7) High | Threshold | \$ 7.58 | \$ 24.85 |
| 522BK | Black Anod. Threshold 1/2" (12.7) High | Threshold | \$ 10.53 | \$ 34.52 |
| 522D | Dark Bronze Anod. Threshold 1/2" (12.7) High | Threshold | \$ 10.53 | \$ 34.52 |
| 522G | Gold Anod. Threshold 1/2" (12.7) High | Threshold | \$ 10.53 | \$ 34.52 |
| 523A | Aluminum Butt Threshold 3" (76.2) | Threshold | \$ 16.60 | \$ 54.47 |
| 523BK | Black Anod. Butt Threshold 3" (76.2) | Threshold | \$ 23.08 | \$ 75.71 |
| 523D | Dark Bronze Anod. Butt Threshold 3" (76.2) | Threshold | \$ 23.08 | \$ 75.71 |
| 523G | Gold Anod. Butt Threshold 3" (76.2) | Threshold | \$ 23.08 | \$ 75.71 |
| 524A | Aluminum Butt Threshold 3"(76.2)/ Neoprene | Threshold | \$ 19.02 | \$ 62.44 |
| 524BK | Black Anod. Butt Threshold 3"(76.2)/ Neoprene | Threshold | \$ 26.40 | \$ 86.58 |
| 524D | Dark Bronze Anodized Butt Threshold 3"(76.2)/ Neoprene | Threshold | \$ 26.40 | \$ 86.58 |
| 524G | Gold Anod. Butt Threshold 3"(76.2)/ Neoprene | Threshold | \$ 26.40 | \$ 86.58 |
| 525A | Aluminum Thermal Break Threshold 5" (127.0) / Neoprene | Threshold | \$ 27.67 | \$ 90.76 |
| 525BK | Black Anodized Thermal Break Threshold 5" (127.0) / Neoprene | Threshold | \$ 36.75 | \$ 120.53 |
| 525D | Dark Bronze Anodized Thermal Break Threshold 5" (127.0) / Neoprene | Threshold | \$ 36.75 | \$ 120.53 |
| 525G | Gold Anodized Thermal Break Threshold 5" (127.0) / Neoprene | Threshold | \$ 36.75 | \$ 120.53 |
| 526A | Aluminum Thermal Break Threshold 6" (152.4) / Neoprene | Threshold | \$ 30.43 | \$ 99.84 |
| 526BK | Black Anodized Thermal Break Threshold 6" (152.4) / Neoprene | Threshold | \$ 40.64 | \$ 133.30 |
| 526D | Dark Bronze Anod. Thermal Break Threshold 6" (152.4) / Neoprene | Threshold | \$ 40.64 | \$ 133.30 |
| 526G | Gold Anodized Thermal Break Threshold 6" (152.4) / Neoprene | Threshold | \$ 40.64 | \$ 133.30 |
| 539AA | Clear Anodized / Solid Neoprene | Gasketing | \$ 10.25 | \$ 33.62 |
| 539BK | Black Anodized / Solid Neoprene | Gasketing | \$ 15.39 | \$ 50.47 |
| 539D | Dark Bronze Anodized / Solid Neoprene | Gasketing | \$ 15.39 | \$ 50.47 |
| 539G | Gold Anodized / Solid Neoprene | Gasketing | \$ 15.39 | \$ 50.47 |
| 539N | 1.56" Tall Sweep Seal - Neoprene | Replacement Gasket | \$ 2.61 | \$ 8.59 |
| 544A | Aluminum Handicap Threshold 4"(101.6) | Threshold | \$ 11.06 | \$ 36.30 |
| 544BK | Black Anod. Handicap Threshold 4"(101.6) | Threshold | \$ 15.61 | \$ 51.22 |
| 544D | Dark Bronze Anod. Handicap Threshold 4"(101.6) | Threshold | \$ 15.61 | \$ 51.22 |
| 544G | Gold Anod. Handicap Threshold 4"(101.6) | Threshold | \$ 15.61 | \$ 51.22 |
| 545A | Aluminum Handicap Threshold 5"(127.0) | Threshold | \$ 13.25 | \$ 43.46 |
| 545BK | Black Anod. Handicap Threshold 5"(127.0) | Threshold | \$ 26.16 | \$ 85.81 |
| 545D | Dark Bronze Anod. Handicap Threshold 5"(127.0) | Threshold | \$ 26.16 | \$ 85.81 |
| 545G | Gold Anod. Handicap Threshold 5"(127.0) | Threshold | \$ 26.16 | \$ 85.81 |
| 545B | Bronze Handicap Threshold 5"(127.0) | Threshold | \$ 54.49 | \$ 178.78 |
| 546A** | Aluminum Handicap Threshold 6"(152.4) | Threshold | \$ 17.09 | \$ 56.04 |
| 546BK** | Black Anod. Handicap Threshold 6"(152.4) | Threshold | \$ 23.89 | \$ 78.36 |
| 546D** | Dark Bronze Anodized Handicap Threshold 6"(152.4) | Threshold | \$ 23.89 | \$ 78.36 |
| 546G** | Gold Anod. Handicap Threshold 6"(152.4) | Threshold | \$ 23.89 | \$ 78.36 |
| 547A** | Aluminum Handicap Threshold 7"(177.8) | Threshold | \$ 20.02 | \$ 65.68 |
| 547BK** | Black Anod. Handicap Threshold 7"(177.8) | Threshold | \$ 26.83 | \$ 88.01 |
| 547D** | Dark Bronze Anodized Handicap Threshold 7"(177.8) | Threshold | \$ 26.83 | \$ 88.01 |
| 547G** | Gold Anod. Handicap Threshold 7"(177.8) | Threshold | \$ 26.83 | \$ 88.01 |
| 548A** | Aluminum Handicap Threshold 8"(203.2) | Threshold | \$ 25.72 | \$ 84.37 |
| 548BK** | Black Anod. Handicap Threshold 8"(203.2) | Threshold | \$ 34.79 | \$ 114.12 |

| PART NUMBER | DESCRIPTION | TYPE | LIST PRICE PER FOOT | LIST PRICE PER METER |
|-------------|---|---------------|---------------------|----------------------|
| 548D** | Dark Bronze Anodized Handicap Threshold 8"(203.2) | Threshold | \$ 34.79 | \$ 114.12 |
| 548G** | Gold Anod. Handicap Threshold 8"(203.2) | Threshold | \$ 34.79 | \$ 114.12 |
| 555AA | Clear Anodized / Silicone Insert Adjustable Surface Astragal | Meeting Stile | \$ 22.54 | \$ 73.94 |
| 555BK | Black Anodized / Silicone Insert Adjustable Surface Astragal | Meeting Stile | \$ 33.05 | \$ 108.46 |
| 555D | Dark Bronze Anodized / Silicone Insert Adjustable Surface Astragal | Meeting Stile | \$ 33.05 | \$ 108.46 |
| 555G | Gold Anodized / Silicone Insert Adjustable Surface Astragal | Meeting Stile | \$ 33.05 | \$ 108.46 |
| 555FS-AA | Clear Anodized / Silicone / Intumescent Adjustable Surface Astragal | Meeting Stile | \$ 29.92 | \$ 98.19 |
| 555FS-BK | Black Anodized / Silicone Insert / Intumescent / Adjustable Surface Astragal | Meeting Stile | \$ 36.53 | \$ 119.86 |
| 555FS-D | Dark Bronze Anodized / Silicone Insert / Intumescent / Adjustable Surface Astragal | Meeting Stile | \$ 36.53 | \$ 119.86 |
| 555FS-G | Gold Anodized / Silicone Insert / Intumescent / Adjustable Surface Astragal | Meeting Stile | \$ 36.53 | \$ 119.86 |
| 557AA | Clear Anodized / Silicone Insert / Adjustable Mortised Astragal | Meeting Stile | \$ 22.54 | \$ 73.94 |
| 557BK | Black Anodized / Silicone Insert / Adjustable Mortised Astragal | Meeting Stile | \$ 32.54 | \$ 106.80 |
| 557D | Dark Bronze Anodized / Silicone Insert / Adjustable Mortised Astragal | Meeting Stile | \$ 32.54 | \$ 106.80 |
| 557G | Gold Anodized / Silicone Insert / Adjustable Mortised Astragal | Meeting Stile | \$ 32.54 | \$ 106.80 |
| 557FS-AA | Clear Anodized / Intumescent / Silicone Adjustable Mortised Astragal | Meeting Stile | \$ 28.56 | \$ 93.72 |
| 557FS-BK | Black Anodized / Intumescent / Silicone Adjustable Mortised Astragal | Meeting Stile | \$ 38.98 | \$ 127.85 |
| 557FS-D | Dark Bronze Anodized / Intumescent / Silicone / Adjustable Mortised Astragal | Meeting Stile | \$ 38.98 | \$ 127.85 |
| 557FS-G | Gold Anodized / Intumescent / Silicone Adjustable Mortised Astragal | Meeting Stile | \$ 38.98 | \$ 127.85 |
| 560A | Aluminum Rabbeted Threshold/ Neoprene 5"(127.0) wide 7/8"(22.2) high | Threshold | \$ 19.52 | \$ 64.06 |
| 560BK | Black Anodized Rabbeted Threshold/ Neoprene 5"(127.0) wide 7/8"(22.2) high | Threshold | \$ 26.89 | \$ 88.22 |
| 560D | Dark Bronze Anodized Rabbeted Threshold/ Neoprene 5"(127.0) wide 7/8"(22.2) high | Threshold | \$ 26.89 | \$ 88.22 |
| 560G | Gold Anodized Rabbeted Threshold/ Neoprene 5"(127.0) wide 7/8"(22.2) high | Threshold | \$ 26.89 | \$ 88.22 |
| 561A | Aluminum Rabbeted Threshold/ Neoprene 4 1/2"(114.3) wide 1" (25.4) high | Threshold | \$ 20.90 | \$ 68.55 |
| 561BK | Black Anodized Rabbeted Threshold/ Neoprene 4 1/2"(114.3) wide 1" (25.4) high | Threshold | \$ 28.84 | \$ 94.61 |
| 561D | Dark Bronze Anodized Rabbeted Threshold/ Neoprene 4 1/2"(114.3) wide 1" (25.4) high | Threshold | \$ 28.84 | \$ 94.61 |
| 561G | Gold Anodized Rabbeted Threshold/ Neoprene 4 1/2"(114.3) wide 1" (25.4) high | Threshold | \$ 28.84 | \$ 94.61 |
| 563A | Aluminum Rabbeted Threshold/ Neoprene 3 9/16"(90.4) wide 7/8"(22.2) high | Threshold | \$ 15.53 | \$ 50.94 |
| 563BK | Black Anodized Rabbeted Threshold/ Neoprene 3 9/16"(90.4) wide 7/8"(22.2) high | Threshold | \$ 21.21 | \$ 69.57 |
| 563D | Dark Bronze Anodized Rabbeted Threshold/ Neoprene 3 9/16"(90.4) wide 7/8"(22.2) high | Threshold | \$ 21.21 | \$ 69.57 |
| 563G | Gold Anodized Rabbeted Threshold/ Neoprene 3 9/16"(90.4) wide 7/8"(22.2) high | Threshold | \$ 21.21 | \$ 69.57 |
| 564A | Aluminum Rabbeted Threshold/ Neoprene 3 11/16"(84.9) wide 1/2"(12.7) high | Threshold | \$ 11.30 | \$ 37.12 |
| 564BK | Black Anodized Rabbeted Threshold/ Neoprene 3 11/16"(84.9) wide 1/2"(12.7) high | Threshold | \$ 15.85 | \$ 51.99 |
| 564D | Dark Bronze Anodized Rabbeted Threshold/ Neoprene 3 11/16"(84.9) wide 1/2"(12.7) high | Threshold | \$ 15.85 | \$ 51.99 |

| PART NUMBER | DESCRIPTION | TYPE | LIST PRICE PER FOOT | LIST PRICE PER METER |
|-------------|--|--------------------|---------------------|----------------------|
| 564G | Gold Anodized Rabbeted Threshold/ Neoprene 3 11/16"(84.9) wide 1/2"(12.7) high | Threshold | \$ 15.85 | \$ 51.99 |
| 564B | Bronze Rabbeted Threshold / Neoprene 3 11/16"(84.9) wide 1/2"(12.7) high | Threshold | \$ 62.30 | \$ 204.39 |
| 565A | Aluminum Rabbeted Threshold 4 7/8" (123.8) / Neoprene Stop 7/8" (22.2) | Threshold | \$ 25.38 | \$ 83.29 |
| 565BK | Black Anodized Rabbeted Threshold 4 7/8" (123.8) / Neoprene Stop 7/8" (22.2) | Threshold | \$ 34.46 | \$ 113.05 |
| 565D | Dark Bronze Anodized Rabbeted Threshold 4 7/8" (123.8) / Neoprene Stop 7/8" (22.2) | Threshold | \$ 34.46 | \$ 113.05 |
| 565G | Gold Anodized Rabbeted Threshold 4 7/8" (123.8) / Neoprene Stop 7/8" (22.2) | Threshold | \$ 34.46 | \$ 113.05 |
| 565B | Bronze Rabbeted Threshold 4 7/8" (123.8) / Neoprene Stop 7/8" (22.2) | Threshold | \$ 147.97 | \$ 485.50 |
| 566A | Aluminum Rabbeted Threshold 5"(12.7) Neoprene Stop 1/2" (12.7) | Threshold | \$ 15.87 | \$ 52.09 |
| 566BK | Black Anodized Rabbeted Threshold 5"(12.7) Neoprene Stop 1/2" (12.7) | Threshold | \$ 21.56 | \$ 70.70 |
| 566D | Dark Bronze Anodized Rabbeted Threshold 5"(12.7) Neoprene Stop 1/2" (12.7) | Threshold | \$ 21.56 | \$ 70.70 |
| 566G | Gold Anodized Rabbeted Threshold 5"(12.7) Neoprene Stop 1/2" (12.7) | Threshold | \$ 21.56 | \$ 70.70 |
| 567B | Bronze 1/2" (12.7) High Neoprene Stop 1/2" (12.7) | Threshold | \$ 65.16 | \$ 213.80 |
| 568A | Aluminum 1/2" (12.7) High Rabbeted Threshold 6" (152.4) Wide | Threshold | \$ 18.22 | \$ 59.76 |
| 568BK | Black Anodized 1/2" (12.7) High Rabbeted Threshold 6" (152.4) Wide | Threshold | \$ 25.03 | \$ 82.09 |
| 568D | Dark Bronze Anodized 1/2" (12.7) High Rabbeted Threshold 6" (152.4) Wide | Threshold | \$ 25.03 | \$ 82.09 |
| 568G | Gold Anodized 1/2" (12.7) High Rabbeted Threshold 6" (152.4) Wide | Threshold | \$ 25.03 | \$ 82.09 |
| 570AA | Clear Anodized / Self-Adjusting / Silicone | Gasketing | \$ 14.24 | \$ 46.74 |
| 570BK | Black Anodized / Self-Adjusting / Silicone | Gasketing | \$ 19.34 | \$ 63.46 |
| 570D | Dark Bronze Anodized / Self-Adjusting / Silicone | Gasketing | \$ 19.34 | \$ 63.46 |
| 570G | Gold Anodized / Self-Adjusting / Silicone | Gasketing | \$ 19.34 | \$ 63.46 |
| 570S-BK | .328" Semi-circular Bulb Kerf Seal - Silicone - Black | Replacement Gasket | \$ 2.65 | \$ 8.72 |
| 571AA | Clear Anodized/ Self Adjusting/Neoprene Lip | Meeting Stile | \$ 14.24 | \$ 46.74 |
| 571BK | Black Anodized/Self Adjusting/Neoprene Lip | Meeting Stile | \$ 19.94 | \$ 65.45 |
| 571D | Dk Bronze Anodized/Self Adjusting/ Neoprene Lip | Meeting Stile | \$ 19.94 | \$ 65.45 |
| 571G | Gold Anodized/Self Adjusting/Neoprene Lip | Meeting Stile | \$ 19.94 | \$ 65.45 |
| 572N | .36" Wide Lip and Bulb Seal - Neoprene | Replacement Gasket | \$ 4.53 | \$ 14.83 |
| 600CP** | Aluminum Cover Plate Wide max. 48"(1219.2) x 1/8"(3.2) thick - Submit template with Order | Threshold | \$ 5.16 | /inch x /ft. |
| 600CPBK** | Black Anod. Cover Plate Wide max. 48"(1219.2) x 1/8"(3.2) thick - Submit template with Order | Threshold | \$ 7.44 | /inch x /ft. |
| 600CPD** | Dark Bronze Anod. Cover Plate Wide max. 48"(1219.2) x 1/8"(3.2) thick - Submit template with Order | Threshold | \$ 7.44 | /inch x /ft. |
| 600CPG** | Gold Anod. Cover Plate Wide max. 48"(1219.2) x 1/8"(3.2) thick - Submit template with Order | Threshold | \$ 7.44 | /inch x /ft. |
| 601CP** | Aluminum Cover Plate Wide max. 48"(1219.2) x 1/4"(6.4) thick - Submit template with order | Threshold | \$ 9.69 | /inch x /ft. |
| 601CPBK** | Black Anod. Cover Plate Wide max. 48"(1219.2) x 1/4"(6.4) thick - Submit template with order | Threshold | \$ 13.57 | /inch x /ft. |
| 601CPD** | Dark Bronze Anod. Cover Plate Wide max. 48"(1219.2) x 1/4"(6.4) thick - Submit template with order | Threshold | \$ 13.57 | /inch x /ft. |
| 601CPG** | Gold Anod. Cover Plate Wide max. 48"(1219.2) x 1/4"(6.4) thick - Submit template with order | Threshold | \$ 13.57 | /inch x /ft. |
| 622A | Aluminum Butt Threshold 2" (50.8) | Threshold | \$ 7.58 | \$ 24.85 |

**Supplied without mounting holes.

| PART NUMBER | DESCRIPTION | TYPE | LIST PRICE PER FOOT | LIST PRICE PER METER |
|-------------|---|--------------------|---------------------|----------------------|
| 622BK | Black Anod. Butt Threshold 2" (50.8) | Threshold | \$ 10.41 | \$ 34.17 |
| 622D | Dark Bronze Anod. Butt Threshold 2" (50.8) | Threshold | \$ 10.41 | \$ 34.17 |
| 622G | Gold Anod. Butt Threshold 2" (50.8) | Threshold | \$ 10.41 | \$ 34.17 |
| 622PVC | .45" x .49" Thermal Break Connector - PVC | Replacement Gasket | \$ 2.78 | \$ 9.11 |
| 623A | Aluminum Butt Threshold 3" (76.2) | Threshold | \$ 10.75 | \$ 35.26 |
| 623BK | Black Anod. Butt Threshold 3" (76.2) | Threshold | \$ 14.84 | \$ 48.67 |
| 623D | Dark Bronze Anod. Butt Threshold 3" (76.2) | Threshold | \$ 14.84 | \$ 48.67 |
| 623G | Gold Anod. Butt Threshold 3" (76.2) | Threshold | \$ 14.84 | \$ 48.67 |
| 624A | Aluminum / Thermal Break / 4" (101.6) | Threshold | \$ 16.77 | \$ 55.00 |
| 624BK | Black Anod. / Thermal Break / 4" (101.6) | Threshold | \$ 23.00 | \$ 75.46 |
| 624D | Dark Bronze Anod. / Thermal Break / 4" (101.6) | Threshold | \$ 23.00 | \$ 75.46 |
| 624G | Gold Anod. / Thermal Break / 4" (101.6) | Threshold | \$ 23.00 | \$ 75.46 |
| 625A | Aluminum / Thermal Break / 5" (127.0) | Threshold | \$ 19.93 | \$ 65.39 |
| 625BK | Black Anod. / Thermal Break / 5" (127.0) | Threshold | \$ 27.21 | \$ 89.21 |
| 625D | Dark Bronze Anod. / Thermal Break / 5" (127.0) | Threshold | \$ 27.21 | \$ 89.21 |
| 625G | Gold Anod. / Thermal Break / 5" (127.0) | Threshold | \$ 27.21 | \$ 89.21 |
| 626A | Aluminum / Thermal Break / 6" (152.4) | Threshold | \$ 22.69 | \$ 74.45 |
| 626BK | Black Anod. / Thermal Break / 6" (152.4) | Threshold | \$ 31.20 | \$ 102.34 |
| 626D | Dark Bronze Anod. / Thermal Break / 6" (152.4) | Threshold | \$ 31.20 | \$ 102.34 |
| 626G | Gold Anod. / Thermal Break / 6" (152.4) | Threshold | \$ 31.20 | \$ 102.34 |
| 627A | Aluminum / Neoprene / 2" (50.8) wide | Threshold | \$ 9.36 | \$ 30.72 |
| 627BK | Black Anod. / Neoprene / 2" (50.8) wide | Threshold | \$ 12.77 | \$ 73.26 |
| 627D | Dark Bronze Anod. / Neoprene / 2" (50.8) wide | Threshold | \$ 12.77 | \$ 73.26 |
| 627G | Gold Anod. / Neoprene / 2" (50.8) wide | Threshold | \$ 12.77 | \$ 73.26 |
| 628A | Aluminum / Neoprene / 3" (76.2) wide | Threshold | \$ 12.46 | \$ 40.88 |
| 628BK | Black Anod. / Neoprene / 3" (76.2) wide | Threshold | \$ 17.11 | \$ 56.11 |
| 628D | Dark Bronze Anod. / Neoprene / 3" (76.2) wide | Threshold | \$ 17.11 | \$ 56.11 |
| 628G | Gold Anod. / Neoprene / 3" (76.2) wide | Threshold | \$ 17.11 | \$ 56.11 |
| 639WA | Aluminum / Solid Neoprene | Door Sweep | \$ 14.63 | \$ 47.97 |
| 639WBK | Black Anodized / Solid Neoprene | Door Sweep | \$ 19.85 | \$ 65.10 |
| 639WD | Dark Bronze Anodized / Solid Neoprene | Door Sweep | \$ 19.85 | \$ 65.10 |
| 639WG | Gold Anodized / Solid Neoprene | Door Sweep | \$ 19.85 | \$ 65.10 |
| 643A | Aluminum / Carpet Divider / 3" (76.2) wide | Threshold | \$ 12.71 | \$ 41.68 |
| 643BK | Black Anod. / Carpet Divider / 3" (76.2) wide | Threshold | \$ 17.48 | \$ 57.32 |
| 643D | Dark Bronze Anod. / Carpet Divider / 3" (76.2) wide | Threshold | \$ 17.48 | \$ 57.32 |
| 643G | Gold Anod. / Carpet Divider / 3" (76.2) wide | Threshold | \$ 17.48 | \$ 57.32 |
| 647B** | Bronze Threshold 7" (177.8) wide | Threshold | \$ 195.49 | \$ 641.40 |
| 653A | Aluminum Threshold 3" (76.2) wide | Threshold | \$ 12.18 | \$ 40.02 |
| 653BK | Black Anodized Threshold 3" (76.2) wide | Threshold | \$ 16.86 | \$ 55.31 |
| 653D | Dark Bronze Anodized Threshold 3" (76.2) wide | Threshold | \$ 16.86 | \$ 55.31 |
| 653G | Gold Anodized Threshold 3" (76.2) wide | Threshold | \$ 16.86 | \$ 55.31 |
| 654A | Aluminum Threshold 4" (101.6) wide | Threshold | \$ 15.63 | \$ 51.27 |
| 654BK | Black Anod. Threshold 4" (101.6) wide | Threshold | \$ 21.31 | \$ 69.89 |
| 654D | Dark Bronze Anod. Threshold 4" (101.6) wide | Threshold | \$ 21.31 | \$ 69.89 |
| 654G | Gold Anod. Threshold 4" (101.6) wide | Threshold | \$ 21.31 | \$ 69.89 |
| 654B | Bronze Threshold 4" (101.6) wide | Threshold | \$ 71.49 | \$ 234.54 |
| 655A | Aluminum Threshold 5" (127.0) wide | Threshold | \$ 18.72 | \$ 61.39 |
| 655BK | Black Anod. Threshold 5" (127.0) wide | Threshold | \$ 25.51 | \$ 83.69 |
| 655D | Dark Bronze Anod. Threshold 5" (127.0) wide | Threshold | \$ 25.51 | \$ 83.69 |
| 655G | Gold Anod. Threshold 5" (127.0) wide | Threshold | \$ 25.51 | \$ 83.69 |
| 655B | Bronze Threshold 5" (127.0) wide | Threshold | \$ 98.47 | \$ 323.08 |
| 656A** | Aluminum Threshold 6" (152.4) wide | Threshold | \$ 22.13 | \$ 72.65 |
| 656BK** | Black Anod. Threshold 6" (152.4) wide | Threshold | \$ 30.53 | \$ 100.14 |
| 656D** | Dark Bronze Anod. Threshold 6" (152.4) wide | Threshold | \$ 30.53 | \$ 100.14 |
| 656G** | Gold Anod. Threshold 6" (152.4) wide | Threshold | \$ 30.53 | \$ 100.14 |
| 656B** | Bronze Threshold 6" (152.4) wide | Threshold | \$ 128.31 | \$ 420.98 |
| 657A** | Aluminum Threshold 7" (177.8) wide | Threshold | \$ 31.74 | \$ 104.12 |
| 657BK** | Black Anod. Threshold 7" (177.8) wide | Threshold | \$ 43.10 | \$ 141.37 |
| 657D** | Dark Bronze Anod. Threshold 7" (177.8) wide | Threshold | \$ 43.10 | \$ 141.37 |

| PART NUMBER | DESCRIPTION | TYPE | LIST PRICE PER FOOT | LIST PRICE PER METER |
|-------------|---|-------------------|---------------------|---|
| 657G** | Gold Anod. Threshold 7" (177.8) wide | Threshold | \$ 43.10 | \$ 141.37 |
| 663A** | Aluminum Threshold 3" (76.2) wide | Threshold | \$ 9.93 | \$ 32.58 |
| 663BK** | Black Anod. Threshold 3" (76.2) wide | Threshold | \$ 13.91 | \$ 45.62 |
| 663D** | Dark Bronze Anod. Threshold 3" (76.2) wide | Threshold | \$ 13.91 | \$ 45.62 |
| 663G** | Gold Anod. Threshold 3" (76.2) wide | Threshold | \$ 13.91 | \$ 45.62 |
| 664STST | Stainless Steel/ Smooth Top 4" (101.6) x 1/2" (12.7) | Threshold | \$ 136.86 | \$ 448.99 |
| 669DP-A | Aluminum Custom Fabricated Bulkhead | Threshold | | Custom Product submit template to Eng. Specials |
| 669DP-S | Steel Custom Fabricated Bulkhead | Threshold | | Custom Product submit template to Eng. Specials |
| 669DP-STST | Stainless Steel Custom Fabricated | Threshold | | Custom Product submit template to Eng. Specials |
| 672A** | Aluminum Plate 2" (50.8) wide | Threshold | \$ 9.27 | \$ 30.44 |
| 672BK** | Black Anod. Plate 2" (50.8) wide | Threshold | \$ 12.68 | \$ 41.57 |
| 672D** | Dark Bronze Anod. Plate 2" (50.8) wide | Threshold | \$ 12.68 | \$ 41.57 |
| 672G** | Gold Anod. Plate 2" (50.8) wide | Threshold | \$ 12.68 | \$ 41.57 |
| 673A** | Aluminum Plate 3" (76.2) wide | Threshold | \$ 13.50 | \$ 44.31 |
| 673BK** | Black Anod. Plate 3" (76.2) wide | Threshold | \$ 18.73 | \$ 61.42 |
| 673D** | Dark Bronze Anod. Plate 3" (76.2) wide | Threshold | \$ 18.73 | \$ 61.42 |
| 673G** | Gold Anod. Plate 3" (76.2) wide | Threshold | \$ 18.73 | \$ 61.42 |
| 673B** | Bronze Plate 3" (76.2) wide | Threshold | \$ 70.77 | \$ 232.23 |
| 674A** | Aluminum Plate 4" (101.6) wide | Threshold | \$ 18.30 | \$ 60.06 |
| 674BK** | Black Anod. Plate 4" (101.6) wide | Threshold | \$ 25.12 | \$ 82.40 |
| 674D** | Dark Bronze Anod. Plate 4" (101.6) wide | Threshold | \$ 25.12 | \$ 82.40 |
| 674G** | Gold Anod. Plate 4" (101.6) wide | Threshold | \$ 25.12 | \$ 82.40 |
| 674B** | Bronze Plate 4" (101.6) wide | Threshold | \$ 99.12 | \$ 325.19 |
| 675A** | Aluminum Plate 5" (127.0) wide | Threshold | \$ 21.79 | \$ 71.51 |
| 675BK** | Black Anod. Plate 5" (127.0) wide | Threshold | \$ 29.75 | \$ 97.55 |
| 675D** | Dark Bronze Anod. Plate 5" (127.0) wide | Threshold | \$ 29.75 | \$ 97.55 |
| 675G** | Gold Anod. Plate 5" (127.0) wide | Threshold | \$ 29.75 | \$ 97.55 |
| 676A** | Aluminum Plate 6" (152.4) wide | Threshold | \$ 26.36 | \$ 86.48 |
| 676BK** | Black Anod. Plate 6" (152.4) wide | Threshold | \$ 36.35 | \$ 119.22 |
| 676D** | Dark Bronze Anod. Plate 6" (152.4) wide | Threshold | \$ 36.35 | \$ 119.22 |
| 676G** | Gold Anod. Plate 6" (152.4) wide | Threshold | \$ 36.35 | \$ 119.22 |
| 676B** | Bronze Plate 6" (152.4) wide | Threshold | \$ 193.33 | \$ 634.33 |
| 678A** | Aluminum Plate 8" (203.2) wide | Threshold | \$ 36.45 | \$ 119.58 |
| 678BK** | Black Anod. Plate 8" (203.2) wide | Threshold | \$ 50.09 | \$ 164.29 |
| 678D** | Dark Bronze Anod. Plate 8" (203.2) wide | Threshold | \$ 50.09 | \$ 164.29 |
| 678G** | Gold Anod. Plate 8" (203.2) wide | Threshold | \$ 50.09 | \$ 164.29 |
| 712AA | Clear Anodized / Adjustable / Spring Loaded / Silicone Insert | Gasketing | \$ 22.54 | \$ 73.94 |
| 712BK | Black Anodized / Adjustable / Spring Loaded / Silicone Insert | Gasketing | \$ 33.05 | \$ 108.46 |
| 712D | Dark Bronze Anodized / Adjustable / Spring Loaded / Silicone Insert | Gasketing | \$ 33.05 | \$ 108.46 |
| 712G | Gold Anodized / Adjustable / Spring Loaded / Silicone Insert | Gasketing | \$ 33.05 | \$ 108.46 |
| 770AA* | Clear Anodized / Adjustable Sound Seal | Gasketing | \$ 29.72 | \$ 97.50 |
| 770BK* | Black Anodized / Adjustable Sound Seal/ Neoprene | Gasketing | \$ 37.02 | \$ 121.48 |
| 770D* | Dark Bronze Anodized / Adjustable Sound Seal/ Neoprene | Gasketing | \$ 37.02 | \$ 121.48 |
| 770G* | Gold Anodized / Adjustable Sound Seal/ Neoprene | Gasketing | \$ 37.02 | \$ 121.48 |
| 770SP* | Steel Primed Adjustable Sound Seal for Cased Opening Fire Rated | Gasketing | \$ 41.83 | \$ 137.23 |
| 770SPB | Closer/Coordinator 6" Bracket Steel Prime. | General | \$ 38.98 | each |
| 770STST* | Stainless Steel Adjustable Sound Seal | Gasketing | \$ 78.85 | \$ 258.67 |
| 770FS-AA* | Clear Anodized / Intumescent Fire Stop Neoprene | Gasketing | \$ 44.25 | \$ 145.16 |
| 770FS-BK* | Black Anodized / Intumescent Fire Stop/Neoprene | Gasketing | \$ 51.71 | \$ 169.67 |
| 770FS-D* | Dark Bronze Anodized / Intumescent Fire Stop/Neoprene | Gasketing | \$ 51.71 | \$ 169.67 |
| 770FS-G* | Gold Anodized / Intumescent Fire Stop/ Neoprene | Gasketing | \$ 51.71 | \$ 169.67 |
| 810 | Closed Cell Neoprene/ Bumper Type/ PSA .625" (15.9) x .625" (15.9) | Weather Stripping | \$ 2.94 | \$ 9.60 |

*Comes standard with mitered corners when ordered a set. If ordering mitered corners as a stick, please specify handing. If non-mitered corners is wanted, please specify and order as an individual stick length.
**Supplied without mounting holes.



| PART NUMBER | DESCRIPTION | TYPE | LIST PRICE PER FOOT | LIST PRICE PER METER |
|-------------|---|--------------------|---------------------|----------------------|
| 811 | Closed Cell Neoprene/ Bumper Type/ PSA 750"(19.1) x .625"(15.9) | Weather Stripping | \$ 4.38 | \$ 14.36 |
| 812 | Closed Cell Neoprene/ Bumper Type/ PSA 1.00"(25.4) x .500"(12.7) | Weather Stripping | \$ 5.10 | \$ 16.74 |
| 813 | Closed Cell Neoprene/ Bumper Type/ PSA 1.250"(31.8) x .625"(15.9) | Weather Stripping | \$ 6.20 | \$ 20.33 |
| 824N | Neoprene Seal with PSA | Weather Stripping | \$ 1.37 | \$ 4.53 |
| 826N | Closed Cell Neoprene Seal with PSA | Weather Stripping | \$ 1.13 | \$ 3.72 |
| 870AA | Clear Anodized / Silicone / Adjustable | Gasketing | \$ 18.47 | \$ 60.58 |
| 870BK | Black Anodized / Silicone / Adjustable | Gasketing | \$ 27.62 | \$ 90.62 |
| 870D | Dark Bronze Anodized / Silicone / Adjustable | Gasketing | \$ 27.62 | \$ 90.62 |
| 870G | Gold Anodized / Silicone / Adjustable | Gasketing | \$ 27.62 | \$ 90.62 |
| 870SPB | Closer/Coordinator 6" Bracket Steel Prime | General | \$ 37.20 | each |
| 870S-BK | .361" Wide Silicone Bulb Seal | Replacement Gasket | \$ 5.96 | \$ 19.58 |
| 871AA | Clear Anodized / Pile Brush / Adjustable | Meeting Stile | \$ 18.47 | \$ 60.58 |
| 871BK | Black Anodized / Pile Brush / Adjustable | Meeting Stile | \$ 27.62 | \$ 90.62 |
| 871D | Dark Bronze Anodized / Pile Brush / Adjustable | Meeting Stile | \$ 27.62 | \$ 90.62 |
| 871G | Gold Anodized / Pile Brush / Adjustable | Meeting Stile | \$ 27.62 | \$ 90.62 |
| 873AA | Clear Anodized / Neoprene Lip / Adjustable | Meeting Stile | \$ 18.47 | \$ 60.58 |
| 873BK | Black Anodized / Neoprene Lip / Adjustable | Meeting Stile | \$ 27.62 | \$ 90.60 |
| 873D | Dark Bronze Anodized / Neoprene Lip / Adjustable | Meeting Stile | \$ 27.62 | \$ 90.60 |
| 873G | Gold Anodized / Neoprene Lip / Adjustable | Meeting Stile | \$ 27.62 | \$ 90.60 |
| 905A | Aluminum Astragal | Gasketing | \$ 8.52 | \$ 27.97 |
| 905BK | Black Anodized Astragal | Gasketing | \$ 11.94 | \$ 39.16 |
| 905D | Dark Bronze Anodized Astragal | Gasketing | \$ 11.94 | \$ 39.16 |
| 905G | Gold Anodized Astragal | Gasketing | \$ 11.94 | \$ 39.16 |
| 926N | .375" (9.5) x .185" (4.7) Closed Cell Sponge Neoprene w/PSA - 50 Ft. (15.24M)/Roll, 1 roll minimum UOM purchase | Gasketing | \$ 1.90 | \$ 7.47 |
| 951A | Cover for mortise type hinge. | Finger Guard | \$ 12.46 | \$ 40.89 |
| 951BK | Black Anodizing Cover for mortise type hinge. | Finger Guard | \$ 17.01 | \$ 55.76 |
| 951D | Dark Bronze Anod. Cover for mortise type hinge. | Finger Guard | \$ 17.01 | \$ 55.76 |
| 951G | Gold Anodizing Cover for mortise type hinge. | Finger Guard | \$ 17.01 | \$ 55.76 |
| 971AA-BIO | BioWall Antibacterial rubber, white | Finger Guard | \$ 16.35 | \$ 53.61 |
| 971BK-BIO | Black Anod. BioWall Antibacterial rubber, white | Finger Guard | \$ 22.71 | \$ 74.49 |
| 971D-BIO | Dark Bronze Anod. BioWall Antibacterial rubber, white | Finger Guard | \$ 22.71 | \$ 74.49 |
| 971G-BIO | Gold Anod. BioWall Antibacterial rubber, white | Finger Guard | \$ 22.71 | \$ 74.49 |
| 972AA-BIO | BioWall Antibacterial rubber, white | Finger Guard | \$ 13.86 | \$ 45.47 |
| 972BK-BIO | Black Anod. BioWall Antibacterial rubber, white | Finger Guard | \$ 19.30 | \$ 63.32 |
| 972D-BIO | Dark Bronze Anod. BioWall Antibacterial rubber, white | Finger Guard | \$ 19.30 | \$ 63.32 |
| 972G-BIO | Gold Anod. BioWall Antibacterial rubber, white | Finger Guard | \$ 19.30 | \$ 63.32 |
| 973AA-BIO | BioWall Antibacterial rubber, white | Finger Guard | \$ 19.24 | \$ 63.09 |
| 973BK-BIO | BioWall Antibacterial rubber, white | Finger Guard | \$ 26.74 | \$ 87.68 |
| 973D-BIO | BioWall Antibacterial rubber, white | Finger Guard | \$ 26.74 | \$ 87.68 |
| 973G-BIO | BioWall Antibacterial rubber, white | Finger Guard | \$ 26.74 | \$ 87.68 |
| 974AA-BIO | BioWall Antibacterial rubber, white | Finger Guard | \$ 16.00 | \$ 52.48 |
| 974BK-BIO | BioWall Antibacterial rubber, white | Finger Guard | \$ 22.35 | \$ 73.33 |
| 974D-BIO | BioWall Antibacterial rubber, white | Finger Guard | \$ 22.35 | \$ 73.33 |
| 974G-BIO | BioWall Antibacterial rubber, white | Finger Guard | \$ 22.35 | \$ 73.33 |
| 1370A | Aluminum with Neoprene | Gasketing | \$ 10.86 | \$ 35.64 |
| 1370BK | Black Anodized / Neoprene | Gasketing | \$ 14.52 | \$ 47.65 |
| 1370D | Dark Bronze Anodized / Neoprene | Gasketing | \$ 14.52 | \$ 47.65 |
| 1370G | Gold Anodized / Neoprene | Gasketing | \$ 14.52 | \$ 47.65 |
| 1370N | .5" Wide-Five Finger Sponge Neoprene - Extrusion | Replacement Gasket | \$ 2.61 | \$ 8.59 |
| 1545A | Aluminum Butt Threshold 2 1/2" (63.5) | Threshold | \$ 8.37 | \$ 27.48 |
| 1545BK | Black Anodized Threshold 2 1/2" (63.5) | Threshold | \$ 26.17 | \$ 85.87 |
| 1545D | Dark Bronze Anodized Threshold 2 1/2" (63.5) | Threshold | \$ 26.17 | \$ 85.87 |
| 1545G | Gold Anodized Threshold 2 1/2" (63.5) | Threshold | \$ 26.17 | \$ 85.87 |
| 1545B | Bronze Butt Threshold 2 1/2" (63.5) | Threshold | \$ 49.84 | \$ 163.54 |

**Supplied without mounting holes.

| PART NUMBER | DESCRIPTION | TYPE | LIST PRICE PER FOOT | LIST PRICE PER METER |
|-------------|---|---------------|---------------------|----------------------|
| 1673A | Aluminum Butt Threshold 3" (76.2) Wide x 1/2" (12.7) High | Threshold | \$ 15.63 | \$ 51.27 |
| 1673BK | Black Anod. Butt Threshold 3" (76.2) Wide x 1/2" (12.7) High | Threshold | \$ 21.31 | \$ 69.89 |
| 1673D | Dark Bronze Anod. Butt Threshold 3" (76.2) Wide x 1/2" (12.7) High | Threshold | \$ 21.31 | \$ 69.89 |
| 1673G | Gold Anod. Butt Threshold 3" (76.2) Wide x 1/2" (12.7) High | Threshold | \$ 21.31 | \$ 69.89 |
| 1674A | Aluminum Threshold One Side Beveled 4" (101.6) x 1/2" (12.7) High | Threshold | \$ 22.05 | \$ 72.36 |
| 1674BK | Black Anod. Threshold One Side Beveled 4" (101.6) x 1/2" (12.7) High | Threshold | \$ 30.00 | \$ 98.41 |
| 1674D | Dark Bronze Anod. Threshold One Side Beveled 4" (101.6) x 1/2" (12.7) High | Threshold | \$ 30.00 | \$ 98.41 |
| 1674G | Gold Anod. Threshold One Side Beveled 4" (101.6) x 1/2" (12.7) High | Threshold | \$ 30.00 | \$ 98.41 |
| 1675A | Aluminum Threshold One Side Beveled 5" (127.0) x 1/2" (12.7) High | Threshold | \$ 25.45 | \$ 83.52 |
| 1675BK | Black Anod. Threshold One Side Beveled 5" (127.0) x 1/2" (12.7) High | Threshold | \$ 34.54 | \$ 113.27 |
| 1675D | Dark Bronze Anod. Threshold One Side Beveled 5" (127.0) x 1/2" (12.7) High | Threshold | \$ 34.54 | \$ 113.27 |
| 1675G | Gold Anod. Threshold One Side Beveled 5" (127.0) x 1/2" (12.7) High | Threshold | \$ 34.54 | \$ 113.27 |
| 1682A | Carpet Divider Threshold 1 3/4" (44.5) | Threshold | \$ 7.80 | \$ 25.62 |
| 1682BK | Black Anod. Carpet Divider Threshold 1 3/4" (44.5) | Threshold | \$ 10.64 | \$ 34.91 |
| 1682D | Dark Bronze Anod. Carpet Divider Threshold 1 3/4" (44.5) | Threshold | \$ 10.64 | \$ 34.91 |
| 1682G | Gold Anod. Carpet Divider Threshold 1 3/4" (44.5) | Threshold | \$ 10.64 | \$ 34.91 |
| 1682B | Bronze Carpet Divider 1 3/4" (44.5) x 1/2" (12.7) | Threshold | \$ 43.45 | \$ 142.52 |
| 1684A | Aluminum Carpet Divider 4" (101.6) | Threshold | \$ 17.40 | \$ 57.09 |
| 1684BK | Black Anod. Carpet Divider 4" (101.6) | Threshold | \$ 24.22 | \$ 79.42 |
| 1684D | Dark Bronze Anod. Carpet Divider 4" (101.6) | Threshold | \$ 24.22 | \$ 79.42 |
| 1684G | Gold Anod. Carpet Divider 4" (101.6) | Threshold | \$ 24.22 | \$ 79.42 |
| 1685R** | Rubber Carpet Divider Threshold 2.5" (63.5) | Threshold | \$ 25.73 | \$ 84.41 |
| 1686R** | Rubber Carpet Divider Threshold 1.813" (46.1) | Threshold | \$ 25.73 | \$ 84.41 |
| 1840AA | Clear Anodized Interior Astragal - Neoprene | Meeting Stile | \$ 11.99 | \$ 39.36 |
| 1840BK | Black Interior Astragal - Neoprene | Meeting Stile | \$ 16.23 | \$ 53.26 |
| 1840D | Dark Bronze Interior Astragal - Neoprene | Meeting Stile | \$ 16.23 | \$ 53.26 |
| 1840G | Gold Interior Astragal - Neoprene | Meeting Stile | \$ 16.23 | \$ 53.26 |
| 2070A-10 | Flood Barrier Shield 10" high | Flood Barrier | \$ 82.34 | \$ 270.14 |
| 2070A-20 | Flood Barrier Shield 20" high | Flood Barrier | \$ 148.20 | \$ 486.25 |
| 2070A-24 | Flood Barrier Shield 24" high | Flood Barrier | \$ 184.07 | \$ 603.96 |
| 2070A-30 | Flood Barrier Shield 30" high | Flood Barrier | \$ 226.61 | \$ 743.52 |
| 2070A-36 | Flood Barrier Shield 36" high | Flood Barrier | \$ 271.93 | \$ 892.20 |
| 2070N | .25" x .625" Closed Cell Sponge Neoprene - Replacement Gasket U Shape Extrusion | | \$ 3.93 | \$ 12.88 |
| 2361AA** | Clear Anodized Ramp 3.94" (100.1) x .500" (12.7) | Threshold | \$ 13.89 | \$ 45.62 |
| 2361BK** | Black Anodized Ramp 3.94" (100.1) x .500" (12.7) | Threshold | \$ 19.01 | \$ 62.36 |
| 2361D** | Dark Bronze Anodized Ramp 3.94" (100.1) x .500" (12.7) | Threshold | \$ 19.01 | \$ 62.36 |
| 2361G** | Gold Anodized Ramp 3.94" (100.1) x .500" (12.7) | Threshold | \$ 19.01 | \$ 62.36 |
| 2673A** | Aluminum 3" (76.2) Traction Tread Nosing-Rubber | Threshold | \$ 27.00 | \$ 88.58 |
| 2673BK** | Black Anod. 3" (76.2) Traction Tread Nosing-Rubber | Threshold | \$ 37.21 | \$ 122.06 |
| 2673D** | Dark Bronze Anod. 3" (76.2) Traction Tread Nosing-Rubber | Threshold | \$ 37.21 | \$ 122.06 |
| 2673G** | Gold Anod. 3" (76.2) Traction Tread Nosing-Rubber | Threshold | \$ 37.21 | \$ 122.06 |
| 2673B** | Bronze 3" (76.2) Traction Tread Nosing - Rubber | Threshold | \$ 110.93 | \$ 363.94 |
| 2676A** | Aluminum 6" (152.4) Traction Tread Nosing-Rubber | Threshold | \$ 50.87 | \$ 166.90 |
| 2676BK** | Black Anod. 6" (152.4) Traction Tread Nosing-Rubber | Threshold | \$ 69.04 | \$ 226.47 |

| PART NUMBER | DESCRIPTION | TYPE | LIST PRICE PER FOOT | LIST PRICE PER METER |
|-------------|---|--|----------------------------------|----------------------|
| 2676D** | Dark Bronze Anod. 6"(152.4) Traction Tread Threshold Nosing-Rubber | | \$ 69.04 | \$ 226.47 |
| 2676G** | Gold Anod. 6"(152.4) Traction Tread Nosing-Rubber | Threshold | \$ 69.04 | \$ 226.47 |
| 3056FS-AA | Clear Anodized / Mortised Adjustable Astragal / Neoprene / Intumescent Fire Stop | Meeting Stile | \$ 41.32 | \$ 135.61 |
| 3056FS-BK | Black Anodized / Mortised Adjustable / Neoprene / Intumescent Fire Stop | Meeting Stile | \$ 49.63 | \$ 162.84 |
| 3056FS-D | Dark Bronze Anodized / Mortised Adjustable / Neoprene / Intumescent Fire Stop | Meeting Stile | \$ 49.63 | \$ 162.84 |
| 3056FS-G | Gold Anodized / Mortised Adjustable Astragal / Neoprene / Intumescent Fire Stop | Meeting Stile | \$ 49.63 | \$ 162.84 |
| 3150N | .27"X.071" Self Extinguishing T Shape EPDM rubber-Extrusion | Replacement Gasket | \$ 2.38 | \$ 7.83 |
| 3365N | 5/8" Wide Bottom Seal | Replacement Gasket | \$ 5.97 | \$ 19.61 |
| 3544 | Aluminum / Mortised / Brush | Door Sweep | \$ 8.12 | \$ 26.60 |
| 3546 | Aluminum / Mortised / Neoprene - FLO option available | Door Sweep | \$ 8.12 | \$ 26.60 |
| 3551 | Aluminum / Mortised Automatic Door Bottom Regular Duty | 18 1/8"-36" (460-914) 36 1/8"-48" (917-1219) 48 1/8"-54" (1222-1371) | \$ 60.05 \$ 68.05 \$ 83.42 | each each each |
| 3552 | Aluminum / Mortised / Regular Duty / Brush Automatic Door Bottom / Regular Duty | 18 1/8"-36" (460-914) 36 1/8"-48" (917-1219) 48 1/8"-54" (1222-1371) | \$ 63.51 \$ 71.97 \$ 88.22 | each each each |
| 3557FS-AA | Clear Anodized / Mortised Adjustable Astragal / Silicone / Intumescent Fire Stop | Meeting Stile | \$ 41.32 | \$ 135.61 |
| 3557FS-BK | Black Anodized / Mortised Adjustable Astragal / Silicone / Intumescent Fire Stop | Meeting Stile | \$ 49.63 | \$ 162.84 |
| 3557FS-D | Dark Bronze Anodized / Mortised Adjustable Astragal / Silicone / Intumescent Fire Stop | Meeting Stile | \$ 49.63 | \$ 162.84 |
| 3557FS-G | Gold Anodized / Mortised Adjustable Astragal / Silicone / Intumescent Fire Stop | Meeting Stile | \$ 49.63 | \$ 162.84 |
| 3672A** | Aluminum 2"(50.8) Traction Tread Plate / Rubber | Threshold | \$ 16.37 | \$ 53.66 |
| 3672BK** | Black Anod. 2"(50.8) Traction Tread Plate / Rubber | Threshold | \$ 22.04 | \$ 72.30 |
| 3672D** | Dark Bronze Anod. 2"(50.8) Traction Tread Plate / Rubber | Threshold | \$ 22.04 | \$ 72.30 |
| 3672G** | Gold Anod. 2"(50.8) Traction Tread Plate / Rubber | Threshold | \$ 22.04 | \$ 72.30 |
| 3673A** | Aluminum 3"(76.2) Traction Tread Plate / Rubber insert | Threshold | \$ 24.25 | \$ 79.57 |
| 3673BK** | Black Anod. 3"(76.2) Traction Tread Plate / Rubber insert | Threshold | \$ 33.33 | \$ 109.32 |
| 3673D** | Dark Bronze Anod. 3"(76.2) Traction Tread Plate / Rubber insert | Threshold | \$ 33.33 | \$ 109.32 |
| 3673G** | Gold Anod. 3"(76.2) Traction Tread Plate / Rubber insert | Threshold | \$ 33.33 | \$ 109.32 |
| 3674A** | Aluminum 4"(101.6) Traction Tread Plate / Rubber insert | Threshold | \$ 32.45 | \$ 106.46 |
| 3674BK** | Black Anod. 4"(101.6) Traction Tread Plate / Rubber insert | Threshold | \$ 43.81 | \$ 143.66 |
| 3674D** | Dark Bronze Anod. 4"(101.6) Traction Tread Plate / Rubber insert | Threshold | \$ 43.81 | \$ 143.66 |
| 3674G** | Gold Anod. 4"(101.6) Traction Tread Plate / Rubber insert | Threshold | \$ 43.81 | \$ 143.66 |
| 3675A** | Aluminum 5"(127.0) Traction Tread Plate / Rubber insert | Threshold | \$ 39.71 | \$ 130.26 |
| 3675BK** | Black Anod. 5"(127.0) Traction Tread Plate / Rubber insert | Threshold | \$ 54.48 | \$ 178.67 |
| 3675D** | Dark Bronze Anod. 5"(127.0) Traction Tread Plate / Rubber insert | Threshold | \$ 54.48 | \$ 178.67 |
| 3675G** | Gold Anod. 5"(127.0) Traction Tread Plate / Rubber insert | Threshold | \$ 54.48 | \$ 178.67 |
| 3676A** | Aluminum 6"(152.4) Traction Tread Plate / Rubber / Photoluminescent Tread insert | Threshold | \$ 47.83 | \$ 156.98 |
| 3676BK** | Black Anod. 6"(152.4) Traction Tread Plate / Rubber / Photoluminescent Tread insert | Threshold | \$ 63.75 | \$ 209.08 |
| 3676D** | Dark Bronze Anod. 6"(152.4) Traction Tread Plate / Rubber / Photoluminescent Tread insert | Threshold | \$ 63.75 | \$ 209.08 |

| PART NUMBER | DESCRIPTION | TYPE | LIST PRICE PER FOOT | LIST PRICE PER METER |
|-------------|--|--|--|--------------------------------------|
| 3676G** | Gold Anod. 6"(152.4) Traction Tread Plate / Rubber / Photoluminescent Tread insert | Threshold | \$ 63.75 | \$ 209.08 |
| 3676N | 24"X.175" Tread Rubber for Aluminum Thresholds - Extrusion | Replacement Gasket | \$ 3.24 | \$ 10.64 |
| 3708AA | Clear Anodized / Magnet / Sound Trap | Gasketing | \$ 30.51 | \$ 100.10 |
| 3708N | Closed Cell Neoprene, Black 1"(25.4) x 4"(10.2) | Gasketing | \$ 4.90 | \$ 16.06 |
| 3709AA | Clear Anodized / Neoprene / Sound Trap | Gasketing | \$ 30.51 | \$ 100.10 |
| 3709BK | Black Anodized / Neoprene / Sound Trap | Gasketing | \$ 39.59 | \$ 129.86 |
| 3709D | Dark Bronze Anodized / Neoprene / Sound Trap | Gasketing | \$ 39.59 | \$ 129.86 |
| 3709G | Gold Anodized / Neoprene / Sound Trap | Gasketing | \$ 39.59 | \$ 129.86 |
| 3831A | Aluminum / Double Neoprene | Gasketing | \$ 11.27 | \$ 36.96 |
| 4000B | Bronze Side Jamb without Return Flange 1 3/4" | Weather Stripping | \$ 11.79 | \$ 38.69 |
| 4000Z | Zinc Side Jamb without Return Flange 1 3/4" | Weather Stripping | \$ 3.17 | \$ 10.40 |
| 5000B | Bronze Side Jamb without Return Flange | Weather Stripping | \$ 13.81 | \$ 45.32 |
| 5000Z | Zinc Side Jamb without Return Flange | Weather Stripping | \$ 4.40 | \$ 14.44 |
| 5831AA | Clear Anodized / Silicone / PSA | Gasketing | \$ 6.11 | \$ 20.04 |
| 5831BK | Black Anodized / Silicone / PSA | Gasketing | \$ 7.63 | \$ 25.05 |
| 5831D | Dark Bronze Anodized / Silicone / PSA | Gasketing | \$ 7.63 | \$ 25.05 |
| 5831G | Gold Anodized / Silicone / PSA | Gasketing | \$ 7.63 | \$ 25.05 |
| 5831FS-AA | Clear Anodized / Silicone / Intumescent / PSA | Gasketing | \$ 8.87 | \$ 29.08 |
| 5831FS-BK | Black Anod. / Silicone Intumet / PSA | Gasketing | \$ 10.60 | \$ 34.76 |
| 5831FS-D | Dark Bronze Anodized / Silicone Intumet / PSA | Gasketing | \$ 10.60 | \$ 34.76 |
| 5831FS-G | Gold Anodized / Silicone / Intumescent / PSA | Gasketing | \$ 10.60 | \$ 34.76 |
| 5831S-BK | .36" Wide Lip and Bulb Seal - Silicone - Black | Replacement Gasket | \$ 5.85 | \$ 19.21 |
| 5832AA | Clear Anodized / Brush / PSA | Gasketing | \$ 6.28 | \$ 20.61 |
| 5832BK | Black Anodized / Poly Brush / PSA | Gasketing | \$ 7.63 | \$ 25.05 |
| 5832D | Dark Bronze Anodized / Poly Brush / PSA | Gasketing | \$ 7.63 | \$ 25.05 |
| 5832G | Gold Anodized / Poly Brush / PSA | Gasketing | \$ 7.63 | \$ 25.05 |
| 5832FS-AA | Clear Anodized / Poly Brush / Intumescent / PSA | Gasketing | \$ 9.11 | \$ 29.88 |
| 5832FS-BK | Black Anod. / Poly Brush / Intumescent / PSA | Gasketing | \$ 10.60 | \$ 34.76 |
| 5832FS-D | Dark Bronze Anod. / Poly Brush / Intumescent / PSA | Gasketing | \$ 10.60 | \$ 34.76 |
| 5832FS-G | Gold Anodized / Poly Brush / Intumescent | Gasketing | \$ 10.60 | \$ 34.76 |
| 5833AA | Clear Anodized / Silicone / PSA | Gasketing | \$ 6.11 | \$ 20.04 |
| 5833BK | Black Anodized / Silicone / PSA | Gasketing | \$ 7.63 | \$ 25.05 |
| 5833D | Dark Bronze Anodized / Silicone / PSA | Gasketing | \$ 7.63 | \$ 25.05 |
| 5833G | Gold Anodized / Silicone / PSA | Gasketing | \$ 7.63 | \$ 25.05 |
| 6570A** | Aluminum Handicap 7"(177.8) x .500"(12.7) | Threshold | \$ 31.74 | \$ 104.12 |
| 6570BK** | Black Anod. Handicap 7"(177.8) x .500"(12.7) | Threshold | \$ 43.10 | \$ 141.37 |
| 6570D** | Dark Bronze Anod. Handicap 7"(177.8) x .500"(12.7) | Threshold | \$ 43.10 | \$ 141.37 |
| 6570G** | Gold Anod. Handicap 7"(177.8) x .500"(12.7) | Threshold | \$ 43.10 | \$ 141.37 |
| 6575A** | Aluminum Threshold 7.5" (190.5) | Threshold | \$ 35.89 | \$ 117.72 |
| 6575BL** | Black Anod. Threshold 7.5" (190.5) | Threshold | \$ 49.51 | \$ 162.40 |
| 6575D** | Dark Bronze Anod. Threshold 7.5" (190.5) | Threshold | \$ 49.51 | \$ 162.40 |
| 6575G** | Gold Anod. Threshold 7.5" (190.5) | Threshold | \$ 49.51 | \$ 162.40 |
| 6710A** | Aluminum Plate 10" (254.0) | Threshold | \$ 45.71 | \$ 150.02 |
| 6710BL** | Black Anod. Plate 10" (254.0) | Threshold | \$ 62.75 | \$ 205.82 |
| 6710D** | Dark Bronze Anod. Plate 10" (254.0) | Threshold | \$ 62.75 | \$ 205.82 |
| 6710G** | Gold Anod. Plate 10" (254.0) | Threshold | \$ 62.75 | \$ 205.82 |
| 7000B | Bronze / Adj. Interlocking w/ #7336 or 7337 | Threshold | \$ 112.40 | \$ 368.78 |
| 7332B | Bronze / Interlocking - Extension Leg | Threshold | \$ 56.23 | \$ 184.51 |
| 7334B | Bronze / Adjustable Interlocking 4" (101.6) | Threshold | \$ 112.49 | \$ 369.06 |
| 7335B | Bronze / Adjustable Interlocking 5"(127) | Threshold | \$ 140.61 | \$ 461.32 |
| 7338B | Bronze / Adjustable Interlocking Thermal Break | Threshold | \$ 214.68 | \$ 704.14 |
| 7350AA | Clear Anodized / Mortised Automatic Door Bottom for Sliding Doors | 10"-18" (305-457) 18 1/8"-36" (460-914) 36 1/8"-48" (917-1219) 48 1/8"-54" (1222-1371) 54 1/8"-60" (1375-1524) | \$ 77.66 \$ 58.70 \$ 62.54 \$ 78.14 \$ 97.76 | each each each each each |
| 7700A* | Clear Anodized, Adjustable Sound Seal | Gasketing | \$ 30.44 | \$ 99.85 |

*Comes standard with mitered corners when ordered a set. If ordering mitered corners as a set, please specify handing. If non-mitered corners is wanted, please specify and order as an individual stick length.
**Supplied without mounting holes.

| PART NUMBER | DESCRIPTION | TYPE | LIST PRICE PER FOOT | LIST PRICE PER METER |
|-------------|--|--------------------|---------------------|----------------------|
| 7770BK* | Black Anod., Adjustable Sound Seal | Gasketing | \$ 38.87 | \$ 127.51 |
| 7770D* | Dark Bronze Anod., Adjustable Sound Seal | Gasketing | \$ 38.87 | \$ 127.51 |
| 7770G* | Gold Anodized, Adjustable Sound Seal | Gasketing | \$ 38.87 | \$ 127.51 |
| 7770N | .32" Wide Elongated Bulb Seal - Neoprene | Replacement Gasket | \$ 3.09 | \$ 10.15 |
| 8004N | Neoprene Kerf Seal | Gasketing | \$ 2.24 | \$ 7.33 |
| 8042S-BK | Silicone Kerf Seal / Black / PSA | Gasketing | \$ 1.80 | \$ 5.90 |
| 8043N | Neoprene Kerf Seal / Black | Gasketing | \$ 2.54 | \$ 8.31 |
| 8047R | Replacement EPDM Rubber Seal for overhead door | Replacement Gasket | \$ 4.78 | \$ 15.66 |
| 8048S-BK | Silicone Kerf Seal / Black | Gasketing | \$ 2.16 | \$ 7.13 |
| 8049 R | EPDM Rubber Seal for Overhead Doors with Aluminum mounting strip | Gasketing | \$ 6.02 | \$ 19.72 |
| 8052N | Kerf Sponge Seal | Gasketing | \$ 2.16 | \$ 7.13 |
| 8053Q-BR | Kerf Foam Seal, Brown | Gasketing | \$ 2.31 | \$ 7.55 |
| 8053Q-WH | Kerf Foam Seal, White | Gasketing | \$ 2.31 | \$ 7.55 |
| 8054S-BK | Kerf Pressure Seal, Silicone Black ø .250" | Gasketing | \$ 2.88 | \$ 9.46 |
| 8054S-WH | Kerf Pressure Seal, Silicone White ø .250" | Gasketing | \$ 2.88 | \$ 9.46 |
| 8055S-BK | Kerf Pressure Seal, Silicone Black ø .375" | Gasketing | \$ 3.41 | \$ 11.20 |
| 8056S-WH | Kerf Pressure Seal, Silicone White ø .438" | Gasketing | \$ 3.41 | \$ 11.20 |
| 8136 | Polycarbonate Seal / Brush .394"(10) | Meeting Stile | \$ 8.16 | \$ 26.74 |
| 8136P-GY | .188" x .250 Woven Pile with Fin - Gray | Replacement Gasket | \$ 2.18 | \$ 7.19 |
| 8137 | Polycarbonate Seal / Brush .472"(12) | Meeting Stile | \$ 8.28 | \$ 27.17 |
| 8138 | Polycarbonate Seal / Brush .590"(15) | Meeting Stile | \$ 9.50 | \$ 31.18 |
| 8144S-BK | Silicone / Batwing Type / Black / PSA | Gasketing | \$ 3.10 | \$ 10.18 |
| 8144S-WH | Silicone / Batwing Type / White / PSA | Gasketing | \$ 3.10 | \$ 10.18 |
| 8144FS | Intumescent Batwing Type Seal / PSA | Gasketing | \$ 4.20 | \$ 13.79 |
| 8145S-BK | Silicone / Black / PSA | Gasketing | \$ 1.97 | \$ 6.48 |
| 8145S-BR | Silicone / Brown / PSA | Gasketing | \$ 1.97 | \$ 6.48 |
| 8149AA | Clear Anodized / Brush / Mortised | Gasketing | \$ 6.86 | \$ 22.48 |
| 8150S-BK | Silicone, black, PSA | Gasketing | \$ 2.31 | \$ 7.57 |
| 8151AA | Aluminum / Neoprene | Door Sweep | \$ 7.09 | \$ 23.58 |
| 8172N | Neoprene / PSA .250"(6.4) x .125"(3.2) - Minimum order 75'(22.8M) Roll UOM | Replacement Gasket | \$ 1.18 | \$ 3.86 |
| 8191AA | Clear Anodized / Neoprene | Gasketing | \$ 6.80 | \$ 22.34 |
| 8191BK | Black Anodized / Neoprene | Gasketing | \$ 9.33 | \$ 30.62 |
| 8191D | Dark Bronze Anodized / Neoprene | Gasketing | \$ 9.33 | \$ 30.62 |
| 8191G | Gold Anodized / Neoprene | Gasketing | \$ 9.33 | \$ 30.62 |
| 8192AA | Clear Anodized / .625" long Brush | Door Sweep | \$ 5.24 | \$ 17.20 |
| 8192BK | Black Anodized / .625" long Brush | Door Sweep | \$ 7.25 | \$ 23.77 |
| 8192D | Dark Bronze Anodized / .625" long Brush | Door Sweep | \$ 7.25 | \$ 23.77 |
| 8192G | Gold Anodized / .625" long Brush | Door Sweep | \$ 7.25 | \$ 23.77 |
| 8192AA-PSA | Clear Anodized / Brush / Adhesive | Meeting Stile | \$ 6.78 | \$ 22.25 |
| 8192BK-PSA | Black Anodized / Brush / Adhesive | Meeting Stile | \$ 7.88 | \$ 25.86 |
| 8192D-PSA | Dark Bronze Anodized / Brush / Adhesive | Meeting Stile | \$ 7.88 | \$ 25.86 |
| 8192G-PSA | Gold Anodized / Brush / Adhesive | Meeting Stile | \$ 7.88 | \$ 25.86 |
| 8193AA | Clear Anodized / .375" long Brush | Door Sweep | \$ 4.93 | \$ 16.19 |
| 8193BK | Black Anodized / .375" long Brush | Door Sweep | \$ 6.09 | \$ 19.96 |
| 8193D | Dark Bronze Anodized / .375" long Brush | Door Sweep | \$ 6.09 | \$ 19.96 |
| 8193G | Gold Anodized / .375" long Brush | Door Sweep | \$ 6.09 | \$ 19.96 |
| 8193AA-PSA | Clear Anodized / .375" Brush / Adhesive | Meeting Stile | \$ 6.48 | \$ 21.24 |
| 8193BK-PSA | Black Anod. / .375" Brush / Adhesive | Meeting Stile | \$ 7.70 | \$ 25.25 |
| 8193D-PSA | Dark Bronze Anod. / .375" Brush / Adhesive | Meeting Stile | \$ 7.70 | \$ 25.25 |
| 8193G-PSA | Gold Anod. / .375" Brush / Adhesive | Meeting Stile | \$ 7.70 | \$ 25.25 |
| 8193P | Replacement Pile Brush for 8193 - 10'6" lengths only. | Replacement Gasket | \$ 3.45 | \$ 11.33 |
| 8194AA | Clear Anodized / Neoprene Lip / Adhesive | Door Sweep | \$ 4.93 | \$ 16.19 |
| 8194BK | Black Anodized / Neoprene Lip | Door Sweep | \$ 6.09 | \$ 19.96 |
| 8194D | Dark Bronze Anodized / Neoprene Lip | Door Sweep | \$ 6.09 | \$ 19.96 |
| 8194G | Gold Anodized / Neoprene Lip | Door Sweep | \$ 6.09 | \$ 19.96 |
| 8194AA-PSA | Clear Anodized / Neoprene Lip / Adhesive | Meeting Stile | \$ 6.48 | \$ 21.24 |
| 8194BK-PSA | Black Anod. / Neoprene Lip / Adhesive | Meeting Stile | \$ 7.70 | \$ 25.25 |
| 8194D-PSA | Dark Bronze Anod. / Neoprene Lip / Adhesive | Meeting Stile | \$ 7.70 | \$ 25.25 |
| 8194G-PSA | Gold Anod. / Neoprene Lip / Adhesive | Meeting Stile | \$ 7.70 | \$ 25.25 |
| 8194N | .53" Long Lip Seal - EPDM | Replacement Gasket | \$ 2.67 | \$ 8.78 |
| 8195AA | Clear Anodized / Neoprene Lip | Meeting Stile | \$ 6.11 | \$ 20.04 |
| 8195BK | Black Anodized / Neoprene Lip | Meeting Stile | \$ 8.38 | \$ 27.49 |
| 8195D | Dark Bronze Anodized / Neoprene Lip | Meeting Stile | \$ 8.38 | \$ 27.49 |
| 8195G | Gold Anodized / Neoprene Lip | Meeting Stile | \$ 8.38 | \$ 27.49 |

| PART NUMBER | DESCRIPTION | TYPE | LIST PRICE PER FOOT | LIST PRICE PER METER |
|-------------|---|--------------------|---------------------|----------------------|
| 8195AA-PSA | Clear Anodized / Neoprene Lip / Adhesive | Meeting Stile | \$ 8.01 | \$ 26.29 |
| 8195BK-PSA | Black Anodized / Neoprene Lip / Adhesive | Meeting Stile | \$ 11.12 | \$ 36.50 |
| 8195D-PSA | Dark Bronze Anodized / Neoprene Lip / Adhesive | Meeting Stile | \$ 11.12 | \$ 36.50 |
| 8195G-PSA | Gold Anodized / Neoprene Lip / Adhesive | Meeting Stile | \$ 11.12 | \$ 36.50 |
| 8197AA | Clear Anodized Drip Cap / Neoprene | Door Sweep | \$ 6.55 | \$ 21.51 |
| 8197BK | Black Anodized Drip Cap / Neoprene | Door Sweep | \$ 8.99 | \$ 29.49 |
| 8197D | Dark Bronze Anodized Drip Cap / Neoprene | Door Sweep | \$ 8.99 | \$ 29.49 |
| 8197G | Gold Anodized Drip Cap / Neoprene | Door Sweep | \$ 8.99 | \$ 29.49 |
| 8197N | 1.063" Tapered Lip Seal - EPDM | Replacement Gasket | \$ 4.45 | \$ 14.57 |
| 8198AA | Clear Anodized Drip Cap / Brush Seal | Door Sweep | \$ 6.80 | \$ 22.34 |
| 8198BK | Black Anodized Drip Cap / Brush | Door Sweep | \$ 9.33 | \$ 30.62 |
| 8198D | Dark Bronze Anodized Drip Cap / Brush | Door Sweep | \$ 9.33 | \$ 30.62 |
| 8198G | Gold Anodized Rain Drip / Brush | Door Sweep | \$ 9.33 | \$ 30.62 |
| 8198P | .625" Nylon Brush | Replacement Gasket | \$ 4.83 | \$ 15.88 |
| 8216S-BK | Pressure seal, silicone, black, PSA | Weather Stripping | \$ 1.61 | \$ 5.06 |
| 8217S-BK | Silicone lips, black, PSA | Meeting Stile | \$ 1.61 | \$ 5.06 |
| 8302AA | Clear Anodized & Neoprene Seal | Gasketing | \$ 3.36 | \$ 11.01 |
| 8302BK | Black Anodized & Neoprene Seal | Gasketing | \$ 5.39 | \$ 17.69 |
| 8302D | Dark Bronze Anodized & Neoprene Seal | Gasketing | \$ 5.39 | \$ 17.69 |
| 8302G | Gold Anodized & Neoprene Seal | Gasketing | \$ 5.39 | \$ 17.69 |
| 8302N | 45 Degree LEG Seal - Neoprene | Replacement Gasket | \$ 2.29 | \$ 7.50 |
| 8303AA | Clear Anodized & Neoprene Seal | Gasketing | \$ 3.36 | \$ 11.01 |
| 8303BK | Black Anodized & Neoprene Seal | Gasketing | \$ 5.39 | \$ 17.69 |
| 8303D | Dark Bronze Anodized & Neoprene Seal | Gasketing | \$ 5.39 | \$ 17.69 |
| 8303G | Gold Anodized & Neoprene Seal | Gasketing | \$ 5.39 | \$ 17.69 |
| 8303S-BK | 1/4" Bulb Seal-Silicone | Replacement Gasket | \$ 1.63 | \$ 5.35 |
| 8305AA | Clear Anodized with Brush | Gasketing | \$ 4.39 | \$ 14.40 |
| 8305BK | Black Anodized with Brush | Gasketing | \$ 7.05 | \$ 23.12 |
| 8305D | Dark Bronze Anodized with Brush | Gasketing | \$ 7.05 | \$ 23.12 |
| 8305G | Gold Anodized with Brush | Gasketing | \$ 7.05 | \$ 23.12 |
| 8353N | .469" Wide Open Bulb Seal-Neoprene | Replacement Gasket | \$ 3.80 | \$ 12.46 |
| 8361Key | Locking Key for Automatic Door Bottom | General | \$ 3.73 | Each |
| 8452A | Wheel Chair Shower Threshold | Threshold | \$ 16.68 | \$ 54.70 |
| 8452BK | Black Anod. Wheel Chair Shower Threshold | Threshold | \$ 22.93 | \$ 75.21 |
| 8452D | Dark Bronze Anod. Wheel Chair Shower Threshold | Threshold | \$ 22.93 | \$ 75.21 |
| 8452G | Gold Anod. Wheel Chair Shower Threshold | Threshold | \$ 22.93 | \$ 75.21 |
| 8452N | 2" Wide Threshold Seal-EPDM Rubber | Replacement Gasket | \$ 7.29 | \$ 23.94 |
| 8557S-BK | Silicone Double Lip Seal W/ Compressive Bulb | Replacement Gasket | \$ 4.24 | \$ 13.91 |
| 8655A | Aluminum Handicap Threshold 5"(127) | Threshold | \$ 12.18 | \$ 40.02 |
| 8655BK | Black Anod. Handicap Threshold 5"(127) | Threshold | \$ 16.74 | \$ 54.91 |
| 8655D | Dark Bronze Anod. Handicap Threshold 5"(127) | Threshold | \$ 16.74 | \$ 54.91 |
| 8655G | Gold Anod. Handicap Threshold 5"(127) | Threshold | \$ 16.74 | \$ 54.91 |
| 8724A | Aluminum 5 5/8"(142.9). Thermal Break | Threshold | \$ 26.56 | \$ 87.15 |
| 8724BK | Black Anod. 5 5/8"(142.9). Thermal Break | Threshold | \$ 36.78 | \$ 120.64 |
| 8724D | Dark Bronze Anod. 5 5/8"(142.9). Thermal Break | Threshold | \$ 36.78 | \$ 120.64 |
| 8724G | Gold Anod. 5 5/8"(142.9). Thermal Break | Threshold | \$ 36.78 | \$ 120.64 |
| 8726A | Aluminum 7 5/8"(193.7). Thermal Break | Threshold | \$ 32.14 | \$ 105.41 |
| 8726BK | Black Anod. 7 5/8"(193.7). Thermal Break | Threshold | \$ 43.48 | \$ 142.60 |
| 8726D | Dark Bronze Anod. 7 5/8"(193.7). Thermal Break | Threshold | \$ 43.48 | \$ 142.60 |
| 8726G | Gold Anod. 7 5/8"(193.7). Thermal Break | Threshold | \$ 43.48 | \$ 142.60 |
| 8729A | Aluminum 6 5/8"(168.3). Thermal Break/Neoprene. | Threshold | \$ 35.81 | \$ 117.48 |
| 8729BK | Black Anod. 6 5/8"(168.3). Thermal Break/Neoprene. | Threshold | \$ 48.31 | \$ 158.47 |
| 8729D | Dark Bronze Anod. 6 5/8"(168.3). Thermal Break/Neoprene. | Threshold | \$ 48.31 | \$ 158.47 |
| 8729G | Gold Anod. 6 5/8"(168.3). Thermal Break/Neoprene. | Threshold | \$ 48.31 | \$ 158.47 |
| 8770N | Neoprene / PSA .500"(12.7) x .125"(3.2) , minimum order 75Ft.(22.8M) , order in UOM | Replacement Gasket | \$ 2.61 | \$ 8.59 |
| 8780N | Neoprene / PSA 1"(25.4) x .094"(2.4) | Replacement Gasket | \$ 2.69 | \$ 8.84 |
| 8800S-BK | Silicone Black Kerf Seal | Gasketing | \$ 2.96 | \$ 9.70 |

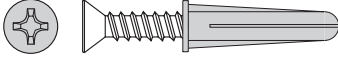
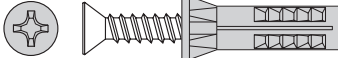

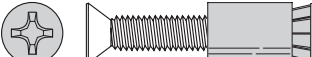

*Comes standard with mitered corners when ordered a set. If ordering mitered corners as a stick, please specify handing. If non-mitered corners is wanted, please specify and order as an individual stick length.
**Supplied without mounting holes.

| PART NUMBER | DESCRIPTION | TYPE | LIST PRICE PER FOOT | LIST PRICE PER METER |
|-------------|---|--------------------|---------------------|----------------------|
| 8800S-WH | Silicone White Kerf Seal | Gasketing | \$ 2.96 | \$ 9.70 |
| 8810S-BK | Silicone Black Kerf Seal | Gasketing | \$ 2.54 | \$ 8.31 |
| 8810S-WH | Silicone White Kerf Seal | Gasketing | \$ 2.54 | \$ 8.31 |
| 8812S-BK | Silicone Black Kerf Seal | Gasketing | \$ 4.49 | \$ 14.68 |
| 8812S-WH | Silicone White Kerf Seal | Gasketing | \$ 4.49 | \$ 14.68 |
| 8841R | Kerf Seal rubber, black | Gasketing | \$ 2.16 | \$ 7.13 |
| 8877AA | Clear Anodized / Neoprene Seal | Gasketing | \$ 6.36 | \$ 20.85 |
| 8877BK | Black Anodized / Neoprene Seal | Gasketing | \$ 8.86 | \$ 29.05 |
| 8877D | Dark Bronze Anodized / Neoprene Seal | Gasketing | \$ 8.86 | \$ 29.05 |
| 8877G | Gold Anodized / Neoprene Seal | Gasketing | \$ 8.86 | \$ 29.05 |
| 8878AA | Clear Anodized / Silicone Seal | Gasketing | \$ 6.11 | \$ 20.04 |
| 8878BK | Black Anodized / Silicone Seal | Gasketing | \$ 8.49 | \$ 27.85 |
| 8878D | Dark Bronze Anodized / Silicone Seal | Gasketing | \$ 8.49 | \$ 27.85 |
| 8878G | Gold Anodized / Silicone Seal | Gasketing | \$ 8.49 | \$ 27.85 |
| 8878BIO-BR | .36" Wide Snap-on Cover-Silicone-BIO, Brown | Replacement Gasket | \$ 2.61 | \$ 8.59 |
| 8879AA | Clear Anodized / Brush Seal | Gasketing | \$ 6.88 | \$ 22.56 |
| 8879BK | Black Anodized / Brush Seal | Gasketing | \$ 9.60 | \$ 31.51 |
| 8879D | Dark Bronze Anodized / Brush Seal | Gasketing | \$ 9.60 | \$ 31.51 |
| 8879G | Gold Anodized / Brush Seal | Gasketing | \$ 9.60 | \$ 31.51 |
| 8879AA-PSA | Clear Anodized / Brush Seal / Adhesive | Meeting Stile | \$ 7.74 | \$ 25.36 |
| 8879BK-PSA | Black Anodized / Brush Seal / Adhesive | Meeting Stile | \$ 10.74 | \$ 35.23 |
| 8879D-PSA | Dark Bronze Anodized / Brush Seal / Adhesive | Meeting Stile | \$ 10.74 | \$ 35.23 |
| 8879G-PSA | Gold Anodized / Brush Seal / Adhesive | Meeting Stile | \$ 10.74 | \$ 35.23 |
| 8880AA | Clear Anodized frame, acoustical | Gasketing | \$ 12.26 | \$ 40.19 |
| 8880G | Gold Anodized frame acoustical | Gasketing | \$ 14.72 | \$ 48.27 |
| 8880D | Dark Bronze Anodized frame, acoustical | Gasketing | \$ 14.72 | \$ 48.27 |
| 9131-PSA | PVC Bumper, PSA, .750"x.188" | Weather Stripping | \$ 5.03 | \$ 16.51 |
| 9137-PSA | PVC/Neoprene for Sliding Glass Doors | Weather Stripping | \$ 12.57 | \$ 41.23 |
| 9137S-CL | .906" Tall Silicone Lip Seal | Replacement Gasket | \$ 4.99 | \$ 16.35 |
| 9495Tape | 3M Double-coated Clear Tape - .250" wide - General 180' (54.9M) Roll, Minimum Order and UOM | General | \$ 31.64 | each |
| 3062375PSA | FS3003 Intumet 1/16" (1.6) x 3/8" (9.5) | Intumescent | \$ 1.95 | \$ 6.39 |
| 3062500PSA | FS3003 Intumet 1/16" (1.6) x 1/2" (12.7) | Intumescent | \$ 2.10 | \$ 6.88 |
| 3062750PSA | FS3003 Intumet 1/16" (1.6) x 3/4" (19.1) | Intumescent | \$ 2.60 | \$ 8.62 |
| 3062100PSA | FS3003 Intumet 1/16" (1.6) x 1" (25.4) | Intumescent | \$ 3.46 | \$ 11.49 |

| PART NUMBER | DESCRIPTION | TYPE | LIST PRICE PER FOOT | LIST PRICE PER METER |
|-------------|--|----------------|---------------------|----------------------|
| 30621750PSA | FS3003 Intumet 1/16" (1.6) x 1 3/4" (44.5) | Intumescent | \$ 4.76 | \$ 15.61 |
| 30622000PSA | FS3003 Intumet 1/16" (1.6) x 2" (50.8) | Intumescent | \$ 5.44 | \$ 17.88 |
| 3125375PSA | FS3003 Intumet 1/8" (3.2) x 3/8" (9.5) | Intumescent | \$ 2.64 | \$ 8.62 |
| 3125500PSA | FS3003 Intumet 1/8" (3.2) x 1/2" (12.7) | Intumescent | \$ 3.52 | \$ 11.49 |
| 3125625PSA | FS3003 Intumet 1/8" (3.2) x 5/8" (15.9) | Intumescent | \$ 4.33 | \$ 14.12 |
| 3125750PSA | FS3003 Intumet 1/8" (3.2) x 3/4" (19.1) | Intumescent | \$ 4.54 | \$ 15.01 |
| 31251000PSA | FS3003 Intumet 1/8" (3.2) x 1" (25.4) | Intumescent | \$ 5.56 | \$ 18.30 |
| 31252000PSA | FS3003 Intumet 1/8" (3.2) x 2" (50.8) | Intumescent | \$ 8.65 | \$ 28.10 |
| 3250375PSA | FS3003 Intumet 1/4" (6.4) x 3/8" (9.5) | Intumescent | \$ 4.64 | \$ 15.18 |
| 3250500PSA | FS3003 Intumet 1/4" (6.4) x 1/2" (12.7) | Intumescent | \$ 5.62 | \$ 18.52 |
| 3250750PSA | FS3003 Intumet 1/4" (6.4) x 3/4" (19.1) | Intumescent | \$ 7.51 | \$ 24.59 |
| 32501000PSA | FS3003 Intumet 1/4" (6.4) x 1" (25.4) | Intumescent | \$ 9.27 | \$ 30.22 |
| 32502000PSA | FS3003 Intumet 1/4" (6.4) x 2" (50.8) | Intumescent | \$ 14.09 | \$ 45.97 |
| 4062375PSA | FS4004 Intumet 1/16" (1.6) x 3/8" (9.5) | Intumescent | \$ 1.95 | \$ 6.39 |
| 4062500PSA | FS4004 Intumet 1/16" (1.6) x 1/2" (12.7) | Intumescent | \$ 2.10 | \$ 6.81 |
| 4062750PSA | FS4004 Intumet 1/16" (1.6) x 3/4" (19.1) | Intumescent | \$ 2.60 | \$ 8.62 |
| 40621000PSA | FS4004 Intumet 1/16" (1.6) x 1" (25.4) | Intumescent | \$ 3.46 | \$ 11.49 |
| 40622000PSA | FS4004 Intumet 1/16" (1.6) x 2" (50.8) | Intumescent | \$ 5.44 | \$ 17.88 |
| 4125375PSA | FS4004 Intumet 1/8" (1.6) x 3/8" (9.5) | Intumescent | \$ 2.64 | \$ 8.62 |
| 4125500PSA | FS4004 Intumet 1/8" (1.6) x 1/2" (12.7) | Intumescent | \$ 3.52 | \$ 11.49 |
| 4125750PSA | FS4004 Intumet 1/8" (1.6) x 3/4" (19.1) | Intumescent | \$ 4.54 | \$ 15.01 |
| 41251000PSA | FS4004 Intumet 1/8" (1.6) x 1" (25.4) | Intumescent | \$ 5.56 | \$ 18.30 |
| 41252000PSA | FS4004 Intumet 1/8" (1.6) x 2" (50.8) | Intumescent | \$ 8.65 | \$ 28.10 |
| 4250375PSA | FS4004 Intumet 1/4" (6.4) x 3/8" (9.5) | Intumescent | \$ 4.64 | \$ 15.18 |
| 4250500PSA | FS4004 Intumet 1/4" (6.4) x 1/2" (12.7) | Intumescent | \$ 5.62 | \$ 18.52 |
| 4250750PSA | FS4004 Intumet 1/4" (6.4) x 3/4" (19.1) | Intumescent | \$ 7.51 | \$ 24.59 |
| 42501000PSA | FS4004 Intumet 1/4" (6.4) x 1" (25.4) | Intumescent | \$ 9.27 | \$ 30.22 |
| 42502000PSA | FS4004 Intumet 1/4" (6.4) x 2" (50.8) | Intumescent | \$ 14.09 | \$ 45.97 |
| 2950 | Stainless Steel Cam Lift - Handed - (32D)5"(127) x 4.5"(114.3) x .250"(6.4) | Cam Lift Hinge | \$ 222.27 | each |
| 2953 | Stainless Steel Cam Lift - Handed - (32D) 5"(127) x 4.5"(114.3) x .180"(4.6) | Cam Lift Hinge | \$ 144.51 | each |
| 2955 | Stainless Steel Cam Lift - Handed - (32D) 4.5"(114.3) x 4.5"(114.3) x .134"(3.4) | Cam Lift Hinge | \$ 118.55 | each |
| 29500 | Stainless Steel Cam Lift - Handed (32D) 5"(127) x 4.5"(114.3) x .250"(6.4) | Cam Lift Hinge | \$ 247.11 | each |

REPLACEMENT PARTS/EXTRAS

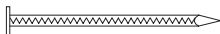
EXPANSION SHIELD/ ANCHORS

| Model | Description | | Part Number | Pkg Quantity | List price |
|-------|--|--|-------------|--------------|----------------|
| #221 | Plastic Shield with #10 x 1-1/4" (or 1-1/2", 1-3/4") Flat Phillips SMS |  | 47257389 | 4 | \$2.85 / pack |
| #222 | Lead Shield with #10 x 1-1/4" (or 1-1/2", 1-3/4") Flat Phillips SMS |  | 47257390 | 4 | \$2.89 / pack |
| #223 | MSLA-10 Anchor with #10-24 x 1-1/2" Flat Phillips Machine Screw |  | 47257391 | 4 | \$6.75 / pack |
| #224 | MSLA-4 Anchor with #1/4-20 x 1-1/2" Flat Phillips Machine Screw |  | 47257392 | 4 | \$6.75 / pack |
| #226 | Stainless Steel Sleeve Anchor |  | 47257393 | 4 | \$20.51 / pack |

ANCHOR QUANTITIES BY THRESHOLD LENGTH

| Model | <= 41" | >41" and <= 85" | >85" and <= 126" | >126" and <= 170" | >170" and <= 210" | >210" |
|---|--------|-----------------|------------------|-------------------|-------------------|-------|
| 525, 526, 624, 625, 626, 8726, 7336, 7337, 7338 | 8 | 16 | 24 | 32 | 40 | 48 |
| 8729 | 12 | 20 | 28 | 36 | 44 | 52 |
| All Other | 4 | 8 | 12 | 16 | 20 | 24 |

NAILS



| Model | Description | Part Number | List price |
|-------|---|-------------|--------------|
| 16 | 7/8" (22.2) Zinc Plated Flathead Steel Nail | 47264927 | \$34.84 /lb. |

(Note: 1 lb. contains ~1300 pcs. Minimum order 1lb.)

SECURITY SCREWS

Torx screws for D, BK, G finished products are available upon request, CALL for price. Security screws for A/AA/SP/STST finish products in chart below.

| Models | Category | Part Number | Finish | Details | List Price |
|---|------------|-------------|-----------------|--|------------|
| 11, 31, 32, 33, 39, 44, 47, 50, 52, 53, 55, 72, 95, 96, 98, 99, 100, 110, 111, 139, 140, 141, 142, 153, 154, 155, 254, 255, 270, 272, 312, 314, 318, 322, 326, 328, 329, 339, 376, 381, 429, 452, 470, 472, 475, 477, 478, 485, 539, 555, 570, 712, 870, 871, 873, 905, 1370, 3709, 8049, 8149, 8151, 8191, 8192, 8193, 8194, 8195, 8197, 8198, 8302, 8303, 8305, 8877, 8878, 8879, 111FS, 302FS, 328FS, 339FS, 339W, 39W, 50M, 555FS, 55FS, 639W, 973BIO, 511, 51, 951, 972BIO | HNJ AND FG | 47259852 | A OR AA | QUANTITY 12 #6X1 BUTTON SEC TORX SMS, CLR ZP | \$16.22 |
| 170, 770, 770FS, 7770 | ADJ | 47259939 | AA, SP, OR STST | QUANTITY 19 #8X1-1/2" FLAT SEC TORX SMS, CLR ZP | \$19.47 |
| 383, 383FS | STILES | 47259975 | AA | QUANTITY 10 #8X3/4" FLAT SEC TORX SMS, CLR ZP | \$10.82 |
| 352, 362, 366, 368 | ADB | 47259741 | AA | QUANTITY 11 #8X1-1/2" FLAT SEC TORX SMS, CLR ZP | \$10.82 |
| 321, 351, 361, 365, 367 | ADB | 47259744 | AA | QUANTITY 11 #8X1-1/2" BUTTON SEC TORX SMS, CLR ZP | \$37.85 |

END CAP SETS

| Models | Part Number | Details | Finish | List price |
|------------------------------|--------------|--|--------------|------------|
| Z49: 360, 364, 369 | 47252145 | 2 Endcaps and 8 Screws | USP | \$12.79 |
| 321A | 47253671 | 4 Endcaps and 2 Screws for Both Handings | A | \$5.90 |
| 321 | 47253671-695 | 4 Endcaps and 2 Screws for Both Handings | G, D, BK | \$5.90 |
| 320, 323 | 47251270 | 2 Endcaps and 4 Screws | AA | \$5.90 |
| 350, 360, 364, 369 | 47251371 | 2 Endcaps and 4 Screws | AA | \$5.90 |
| 351, 352 | 47251332 | 2 Endcaps and 4 Screws | AA | \$5.90 |
| 351, 352 | 47251332-695 | 2 Endcaps and 4 Screws | D, BK | \$5.90 |
| 361, 362, 365, 366, 367, 368 | 47251383 | 2 Endcaps and 4 Screws | AA | \$5.90 |
| 361, 362, 365, 366, 367, 368 | 47251383-695 | 2 Endcaps and 4 Screws | D, BK | \$5.90 |
| 141 Rain Drip: 362, 366, 368 | 47253705 | 2 Endcaps and 4 Screws | All Finishes | \$6.15 |
| 477 | 47255366 | 2 End Caps and 4 Screws | A, AA | \$5.68 |

SCREW PACKS- ADBS

| Models | Category | Part Number | Finish | Details | List Price |
|---|----------|--------------|--------|--|------------|
| 320, 323, 350, 355, 360, 364, 369, 3551, 3552 | ADB | 47253854 | AA | 22 Screws #6 x 3/4" PPHSDS | \$4.33 |
| 321, 351, 361, 365, 367 up to 108" | ADB | 47253868-00 | AA | 11 Screws #8 x 1-1/2" Truss PHSMS ZP | \$4.33 |
| 321, 351, 361, 365, 367 up to 108" | ADB | 47253868-34 | G | 11 Screws #8 x 1-1/2" Truss PHSMS Gold ZP | \$32.45 |
| 321, 351, 361, 365, 367 up to 108" | ADB | 47253868-695 | D, BK | 11 Screws #8 x 1-1/2" Truss PHSMS Black ZP | \$4.33 |
| 352, 362, 366, 368 | ADB | 47257743 | AA | 4- #8 x 1-1/2" Flat Torx SMS, ZP | \$4.33 |
| 352, 362, 366, 368 | ADB | 47253866-00 | AA | 11 Screws #8 x 1-1/2" FPHSMS | \$4.33 |
| 352, 362, 366, 368 up to 108" | ADB | 47253866-34 | G | 11 Screws #8 x 1-1/2" FPHSMS - Gold ZP | \$32.45 |
| 352, 362, 366, 368 up to 108" | ADB | 47253866-695 | D, BK | 11 Screws #8 x 1-1/2" FPHSMS - Black ZP | \$4.33 |

www.zerointernational.com

REPLACEMENT PARTS/EXTRAS

SCREW PACKS- HEAD AND JAMB

| Models | Category | Part Number | Finish | Details | List Price |
|--|-------------|-------------|--------------|---|------------|
| 170, 770, 770G, 770SP, 770STST | Head & Jamb | 47254760 | AA | 19 Screws #8x1-1/2" FPHSMS, ZP | \$4.33 |
| 170D, 770D, 770DG | Head & Jamb | 47254761 | D, BK | 19 Screws #8x1-1/2" FPHSMS, BLACK ZP | \$5.41 |
| 170G, 770G, 770GG | Head & Jamb | 47254762 | G | 19 Screws #8x1-1/2" FPHSMS, BRASS PLATE | \$70.30 |
| 11, 31, 32, 33, 39, 39W, 44STST, 47, 50, 50MA, 52, 53, 55, 55FS, 72, 95, 96, 98, 99, 100, 110, 111, 111FS, 139, 140, 140FS, 141, 142, 153, 154, 155, 253, 253FS, 254, 255, 270, 272, 302FS, 312, 314, 314PVC, 318, 322, 326, 326PVC, 328, 328PVC (AA OR A finish screw), 328FS, 329, 329PVC, 339, 339W, 339FS, 339PVC (AA or A finish screw), 376, 376D (AA finish screw), 381, 452, 470, 472, 475, 475D (gets AA finish screw), 475G (gets AA finish screw), 478, 478D (gets AA finish screw), 477, 477D (AA finish screw), 477G (AA finish screw), 485, 511, 539, 555, 555FS, 570, 639WA, 712, 870, 871, 873, 905, 1370, 3544, 3546, 3709, 8049R, 8149, 8151, 8191, 8192, 8193, 8194, 8195, 8197, 8198, 8302, 8303, 8305, 8877, 8878, 8879 | Head & Jamb | 47254768 | AA, A | 6 Screws #6x1 PPHSDS | \$4.50 |
| 11, 31, 32, 33, 142, 302FS, 314, 326, 328, 329, 339, 339FS, 339W, 485, 8197, 8198 | Head & Jamb | 47254769 | D, BK | 6 Screws #6x1 PPHSDS, BLACK ZP | \$9.00 |
| 314, 302FS, 326, 328, 485, 31, 32, 33, 339, 339W, 328, 329, 8197, 339FS, 8198, 11, 142 | Head & Jamb | 47254770 | G, B | 6 Screws #6x1 PPHSDS, BRASS PLATE | \$4.50 |
| 41, 1840 | Head & Jamb | 47254801 | AA, D, BK, G | 10 Screws #6x3/4" FPHSMS, 10 SCREWS #6x3/4" FPHSMS Dark Bronzefinish, and 10 Screws #6x3/4" Gold Finish | \$21.63 |
| 429 | Head & Jamb | 47254804 | A | 6 Screws #10x3/4" PPHSDMS | \$3.20 |
| 43SP, 43STST | Head & Jamb | 47254805 | All Finishes | 11 1/4-20X1 FPHMS, 11 1/4-20 Sex Bolts 1" Long, and 4 #10 x 3/4" PPHSDS | \$30.28 |
| 521FS | Head & Jamb | 47254806 | All Finishes | 6 - Flanged #10 C-Sink Washer | \$4.33 |
| 383, 383FS | Head & Jamb | 47254807 | AA, D | 10 - #8 x 3/4" FPHSMS and 10 #8 x 3/4" FPHSMS Black ZP | \$4.33 |
| 51A-90, 51A-120, 51A-180, 951, 971AA-BIO, 972AA-BIO, 974AA-BIO, 973AA-BIO, | Head & Jamb | 47254808 | A or AA | 10 - #6x3/4" PPHSMS | \$4.33 |
| 56, 156, 557 | Head & Jamb | 47257629 | All Finishes | 20 - 8-32x5/8 OPHMS Steel ZP | \$21.63 |

SCREW PACKS - THRESHOLDS

| Models | Category | Part Number | Finish | Details | List Price |
|---|-----------|--------------|--------|--|------------|
| All "A" or "AA" Finish Thresholds and 93A | Threshold | 47254099 | A, AA | 4 Screws #10X1-1/2 FPHSMS | \$4.33 |
| All "D" or "BK" Finish Thresholds | Threshold | 47254100 | D, BK | 4 Screws #10X1-1/2 FPHSMS Black ZP | \$4.33 |
| All "B" or "G" Finish Thresholds | Threshold | 47254101 | B, G | 4 Screws #10X1-3/4 FPHWS Brass | \$11.90 |
| All "STST" Finish Thresholds | Threshold | 47254102 | STST | 4 Screws #10X1-1/4 FPHSMS S.S. | \$4.33 |
| Any Brass Threshold | Threshold | 47257628 | B | 4 - #10X1-1/2" FPHWS, Brass | \$7.03 |
| All - ORB Finish Thresholds | Threshold | 47254101-10B | B-ORB | 4 Screws #10X1-3/4 FPHWS Brass, Oil Rubbed | \$17.30 |

SCREW PACKS - OTHER

| Models | Category | Part Number | Finish | Details | List Price |
|---|------------------|-------------|--------------|---|------------|
| 2070A | Flood Barrier | 47255200 | A | 10 - 7/6" Locking Plug, 16 - Thumb Screw Assemblies, 10 - #10x1-1/2" FPHSMS, and 10 - Plastic Anchors | \$64.89 |
| 328SPB, 770SPB, 870SPB | Strike Plate | 47255358 | All Finishes | 3 - #12 x 1-1/4" FPHSMS S.S. | \$4.33 |
| 4B, 4Z, 5B, 5Z, 18B, 19B, 19WB, 23B, 400B, 400Z, 500B, 500Z, 4000B, 4000Z, 5000B, 5000Z | Weatherstripping | 47253928 | All Finishes | 10 Nails #16x7/8" AND 10 5/16 Waferhead Drive Screws | \$4.33 |
| Z950, Z953 | Hinge | 47253874 | AA | 8 Screws #12x3/4" FPHSMS S.S. and 8 Screws 12-24x3/4" UFPHMS S.S. | \$6.84 |
| Z9500 | Hinge | 47253876 | AA | 8 Screws 5/16-18x3/4" FPHMS S.S. | \$5.41 |
| Z955 | Hinge | 47253873 | AA | 8 Screws #12x1-1/4" FPHSMS S.S. and 8 Screws 12-24x3/4" UFPHMS S.S. | \$17.82 |



Zero International - Custom Bulkhead Template

Company Name: _____

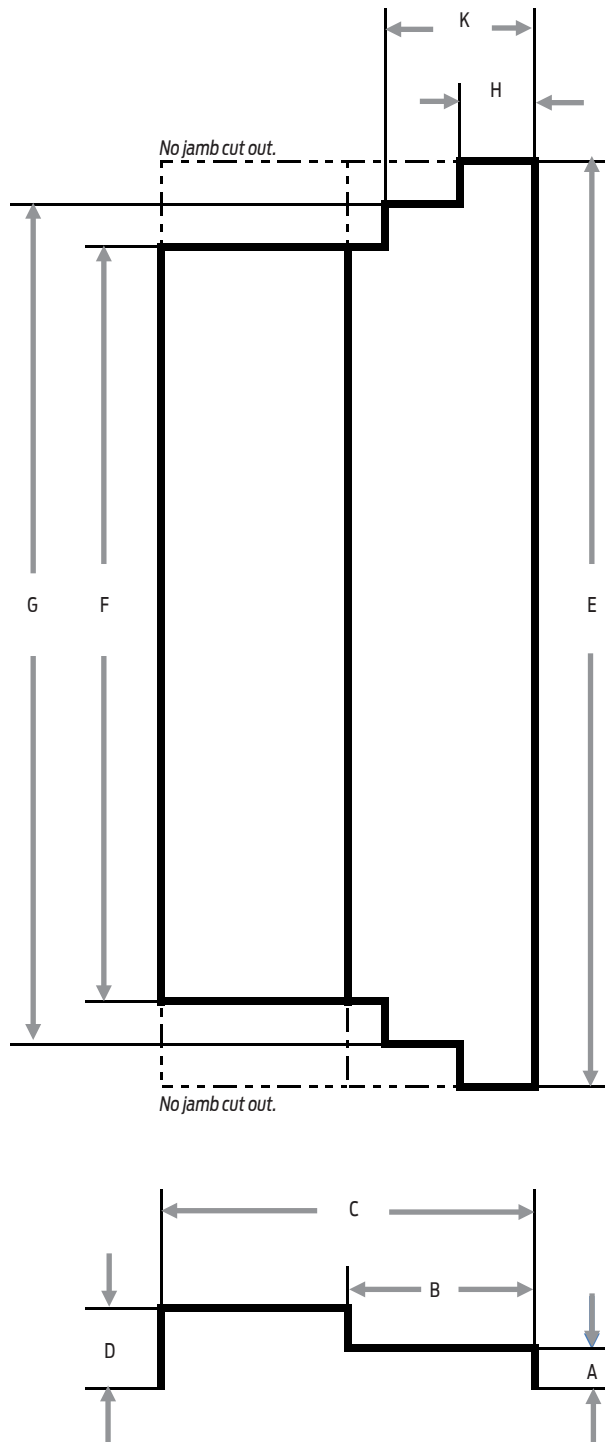
Contact: _____

Phone: _____

Email: _____

Purchase Order #: _____

Email to: Zero.Customer.Support@Allegion.com or Fax to: (800)851-0000



Please complete Qty.

| Product | Desc. | Qty. |
|---------|-----------|------|
| 669A | Aluminum | |
| 669S | Steel | |
| 669STST | Stainless | |

Please complete dimensions in inches or mm.

Must complete A-E, F-K optional if required.

| | Dimension | Inches " | MM |
|--------------------------------|--|----------|----|
| Rectangular - No jamb cut outs | A minimum dimension 1" | | |
| | B | | |
| | C | | |
| | D Can only be 1" greater than A | | |
| | E | | |
| Jamb Cut Outs | F | | |
| | G | | |
| | H | | |
| | K | | |

About Allegion

Allegion (NYSE: ALLE) creates peace of mind by pioneering safety and security. As a \$2 billion provider of security solutions for homes and businesses, Allegion employs more than 7,800 people and sells products in more than 120 countries across the world. Allegion comprises 23 global brands, including strategic brands CISA®, Interflex®, LCN®, Schlage® and Von Duprin®.

For more, visit www.allegion.com

KRYPTONITE ■ LCN ■  ■ STEELCRAFT ■ VON DUPRIN