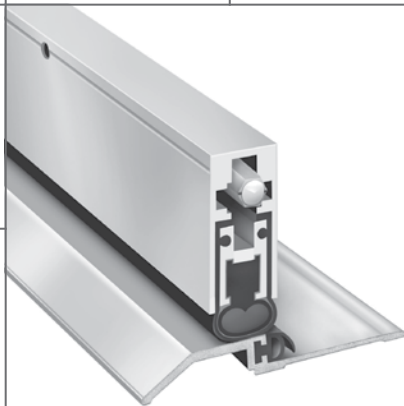
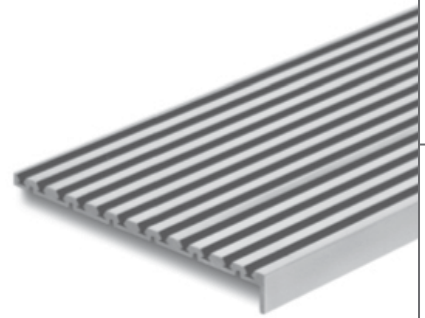




# Price book 3

Effective August 12, 2017 • Rev 4/18



**This price list supersedes and cancels all previous price lists. Prices shown are subject to change without notice.**

### Administrative Offices

Allegion Administrative Office  
11819 N. Pennsylvania St.  
Carmel, IN 46032  
allegion.com/us

### Placing orders

You can place orders with Allegion via the fax numbers or emails listed below:

Zero International  
Fax#: 1-800-851-0000  
Email: Zero.Orders@allegion.com

Mechanical Locks & Key Systems  
Fax#: 1-800-452-0665  
Email: Order\_Entry\_Schlage\_Commercial@allegion.com

FastTrack  
Fax#: 1-800-288-4242  
Email: Order\_Fasttrack@allegion.com

### Customer Care

Our Customer Care Representatives are available for questions or assistance.

You can reach the Zero International customer care team at **800-635-5335**.

You can contact Allegion customer care at **877-671-7011** (Press 1 for Sales Support | Press 2 for Product Support | Press 3 for SSC) or through the email addresses listed below:

### Sales Support

[support@allegion.com](mailto:support@allegion.com)

### Technical Product Support

#### Zero Accessories

[Accessories\\_TechProdSupport@allegion.com](mailto:Accessories_TechProdSupport@allegion.com)

### Request for Quote

#### Carolinas

(North Carolina, South Carolina, Virginia)  
[Carolinas.Quotes@allegion.com](mailto:Carolinas.Quotes@allegion.com)

#### Central

(Arkansas, Illinois, Iowa, Kansas, Missouri, Nebraska, Oklahoma)  
[Central.Quotes@allegion.com](mailto:Central.Quotes@allegion.com)

#### Chicago

(Illinois-Northern, Wisconsin)  
[Chicago.Quotes@allegion.com](mailto:Chicago.Quotes@allegion.com)

#### Florida

[Florida.Quotes@allegion.com](mailto:Florida.Quotes@allegion.com)

#### Great Lakes

(New York, Pennsylvania)  
[GreatLakes.Quotes@allegion.com](mailto:GreatLakes.Quotes@allegion.com)

#### Metro New York

[Metro.Quotes@allegion.com](mailto:Metro.Quotes@allegion.com)

#### Michigan

[Michigan.Quotes@allegion.com](mailto:Michigan.Quotes@allegion.com)

#### Mid Atlantic

(Delaware, Maryland, New Jersey)  
[MidAtlantic.Quotes@allegion.com](mailto:MidAtlantic.Quotes@allegion.com)

#### Midwest

(Indiana, Kentucky, Ohio, West Virginia)  
[Midwest.Quotes@allegion.com](mailto:Midwest.Quotes@allegion.com)

#### Mountain States

(Colorado, Idaho, Montana, Nevada, Utah, Wyoming)  
[Mtn.States.Quotes@allegion.com](mailto:Mtn.States.Quotes@allegion.com)

#### New England

(Connecticut, Main, Massachusetts, New Hampshire, Rhode Island, Vermont)  
[NewEngland.Quotes@allegion.com](mailto:NewEngland.Quotes@allegion.com)

#### North Central

(Minnesota, North Dakota, South Dakota)  
[NorthCentral.Quotes@allegion.com](mailto:NorthCentral.Quotes@allegion.com)

#### Northern California

[NoCal.Quotes@allegion.com](mailto:NoCal.Quotes@allegion.com)

#### Northwest

(Alaska, Oregon, Washington)  
[Northwest.Quotes@allegion.com](mailto:Northwest.Quotes@allegion.com)

#### South

(Alabama, Georgia, Louisiana, Mississippi, Tennessee)  
[South.Quotes@allegion.com](mailto:South.Quotes@allegion.com)

#### Southern California

(California-Southern, Hawaii)  
[SoCal.Quotes@allegion.com](mailto:SoCal.Quotes@allegion.com)

#### Southwest

(Arizona, New Mexico)  
[Southwest.Quotes@allegion.com](mailto:Southwest.Quotes@allegion.com)

#### Texas

[Texas.Quotes@allegion.com](mailto:Texas.Quotes@allegion.com)

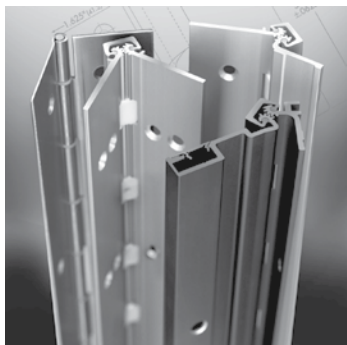
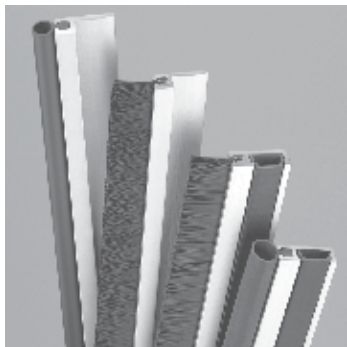
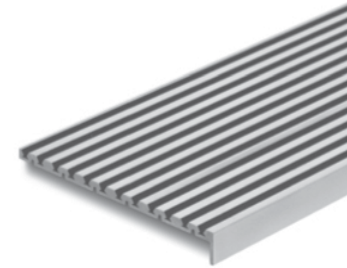
Supersedes all previous lists.  
Subject to change without notice.

For latest additions, corrections, revisions,  
visit [www.zerointernational.com](http://www.zerointernational.com)



*"When Nothing Else Is Good Enough For Long Enough"*

Since 1923



**MINIMUM CHARGE:**

\$50.00 Net. Surcharge may apply. Material charged to next stock size.

**CLAIMS:**

All claims for shortage or improper filling of order should be made within 10 days of receipt.

**RETURNS:**

No returns accepted without prior authorization. Returns should be made within 30 days of authorization, freight prepaid, 45% restocking and handling charge will apply. Returns made after 30 days from date of delivery will receive a credit to their account to be applied to future orders. Nonstandard and specialty fabricated items are not returnable.

**CANCELLATION CHARGE:**

20% If order is fabricated and packed.

**TERMS:**

Payable in U.S. Currency.  
Material charged to next stock size.  
All prices are F.O.B. factory.

**GUARANTEE:**

Three years against defects in material or workmanship. Defective material will be replaced, however, no back charges for damage incurred or work done thereon will be allowed.

**WARRANTY:**

The following is made in lieu of all warranties, express or implied, including warranties or merchantability and fitness for a particular purpose: Purchase or use of this product constitutes an agreement with Seller and Manufacturer that, if this product proves to be defective or in any way unsuitable, Seller's and Manufacturer's limit of liability for all damages, including but not limited to incidental or consequential damages, and User's or Purchaser's exclusive remedy, regardless of legal theory, including theories of breach of warranty, negligence and strict liability, shall be to receive, at Seller's or Manufacturer's option, repair of the defective product, an equivalent quantity of replacement product or a refund of the purchase price.

■ Main Office And Manufacturing  
**ZERO INTERNATIONAL**  
2720 Tobey Drive, Indianapolis, IN 46219  
Phone: 877-671-7011  
Fax: 800-851-0000  
E-mail: [Zero.Customer.Support@allegion.com](mailto:Zero.Customer.Support@allegion.com)

[www.zerointernational.com](http://www.zerointernational.com)

# TERMS & CONDITIONS

## Allegion General Terms and Conditions of Sale and Service

**1. GENERAL/ACCEPTANCE.** (a) This Agreement contains the only terms and conditions by which Company will quote and sell Deliverables to Customer; (b) The terms "purchase order" or "order" for the purposes of this Agreement include the term "request for quotation," as appropriate; (c) This Agreement supersedes all pre-printed or boilerplate terms and conditions set forth in any purchase order issued by Customer; (d) No reference herein to Customer's purchase order will in any way incorporate different or additional terms and conditions, all of which Company hereby expressly objects to; (e) **ANY ACCEPTANCE BY COMPANY OF CUSTOMER'S PURCHASE ORDER IS EXPRESSLY CONDITIONED ON THE CUSTOMER'S ASSENT TO AND ACCEPTANCE OF THE TERMS AND CONDITIONS CONTAINED IN THIS AGREEMENT;** (f) Company reserves the right to decline any order, in whole or in part, for any reason.

### 2. ORDERS.

a. **Order Processing.** When Customer wishes to place an order for Deliverables, it will deliver to Company a purchase order. All such purchase orders must (i) be in a written format acceptable to Company, (ii) be legible, (iii) include a purchase order number, (iv) include Customer's account number, invoice address, ship to address, shipping method, shipper's letter of instruction for international shipments, part number, pricing, and designated contact information, (v) include, if applicable, any special configuration ID numbers, necessary programming information, special factory instructions, and requested specifications regarding a particular finish, handling, design, backset, or strike, (vi) reference any applicable pricing discounts under an ongoing buying program or based on a written quote from Company, along with the applicable buying program number or quotation number, and (vii) not combine buying program and quoted product on the same order.

b. **Minimum Orders.** In the event the order value does not meet any required minimum net Deliverable value, Company may, at its sole discretion, (i) increase the quantity of items in the order to meet the minimum net Deliverable value requirement; (ii) apply a minimum order charge; (iii) reject the order, or (iv) waive the requirement, provided that the waiver of a requirement for one order shall not constitute a waiver of the requirement for any future orders.

c. **Acceptance of Purchase Orders.** Company will endeavor to (i) acknowledge receipt of each purchase order issued in accordance with this Agreement, and (ii) notify Customer whether Company accepts or rejects the purchase order. If Company fails to accept or reject a purchase order within a reasonable time period, such failure to respond will be deemed a rejection of the entire order. Orders that combine buying program and quoted product on the same order will be routed back to your local SSC office in order to review subject purchase order.

d. **Changes to Order/ Cancellation of Orders.** Additional terms and conditions regarding order changes and cancellations are available on the Allegion customer website, **WHICH TERMS ARE EXPRESSLY INCORPORATED HEREIN BY REFERENCE.** Unless otherwise provided herein, Customer acknowledges that (i) requesting a Change Order may cause a delay in the scheduled shipment date, a longer lead time or result in a new scheduled shipment date; (ii) Orders may not be changed after 48 hours of Company's order acknowledgment; (iii) After 48 hours of Company's order acknowledgment, all changes to an accepted purchase order will be subject to a Change Order charge of 25% of the net Deliverable value, plus the cost of labor and fabrication or raw material that Company incurred prior to the receipt of the Change Order from Customer, or that may be required due to the Change Order; (iv) the requested change may result in additional charges for labor, fabrication, and raw material, and (v) if Customer cancels an order or portion of an order that includes Deliverables that have been manufactured and prepped for shipping, a 45% restocking fee will apply. Notwithstanding the foregoing, Customer cannot change or cancel credential orders, reader orders, biometrics orders or any non-cataloged, special, Custom or nonstandard items once they have been placed. All cancelled orders for a Non Recurring Expense (NRE), credential orders, reader orders, biometrics orders, and/or Custom orders will be subject to a cancellation charge of 100% of the acknowledged price.

e. **Add-ons.** Add-on orders will not be accepted. Additions to orders will be entered as separate stand-alone orders and must qualify for all terms of sale, including discounts, on an individual basis.

f. **Fast-Track Orders.** No changes or cancellations will be accepted on the 24-Hour Fast Track Program. For 3-day Fast Track orders, changes and cancellations may only be requested by Customer within 24 hours of Company's order acknowledgment if the order has not shipped. For 5-Day Fast Track orders, changes and cancellations may only be requested by Customer if the order has not shipped and if the request is made to Company within 48 hours of Company's order acknowledgment. Return Material Authorization (RMA) for Deliverables must be processed through Fast Track Customer Service.

g. **Steelcraft Orders.** For all Steelcraft orders, changes or cancellations are allowed without penalty only if made within 48 hours of Company's order acknowledgment, and provided that the order has not shipped. Some exceptions do apply – please consult the factory. Changes are not allowed on Rapid Program orders after the order has been entered and acknowledged. After 48 hours of Company's order acknowledgment, all changes or cancellations are subject to a charge of 25% of the order. Unless otherwise specified by Company in writing, any changes to orders acknowledged by Company that affect the delivery date will be deemed a new order and will require acknowledgement by Company as provided in this Section. Additional products, features, terms and conditions regarding the Rapid Program are available on the Allegion customer website, **WHICH TERMS ARE EXPRESSLY INCORPORATED HEREIN BY REFERENCE.**

### 3. PRICES, INVOICES AND PAYMENT.

a. **Prices.** The prices in Company's Price Book are subject to change at any time, without notice to Customer. Company may charge Customer additional amounts if Customer requests special packing, marking, shipment, product modification, or engineering services. Oral prices specified by Company are null and void. Quote numbers must be referenced on Customer's purchase order in order for the Company's quoted pricing to apply. Orders that do not reference a quote number will receive buy program pricing or book net pricing. Quoted prices are for those specific products quoted for a specified job, and are subject to the Price Book in effect at the time Company receives the order.

b. **Taxes.** Prices do not include any present or future federal, state or local property, license, privilege, sales, use, excise, gross receipts or other like taxes or assessments which may result from transactions or any services performed in connection therewith. Any taxes, charges, or duties imposed by any governmental authority on the sale of Deliverables will be paid by Customer, in addition to the selling price specified by Company.

c. **Payment Terms.** Company will deliver to Customer an invoice with each shipment of Deliverables hereunder. Customer will pay all invoiced amounts within 35 days of the invoice date (subject to any early pay discounts that may be offered to Customer by Company in its sole discretion). Customer will make all payments in United States dollars. Past due invoices will be subject to a late payment service charge of 1.5% per month on any overdue unpaid balance, equivalent to 18% per annum, or the maximum rate permitted by law,

whichever is less. Customer shall reimburse Company for all costs of collection, including, without limitation, reasonable attorneys' fees, for any overdue amount owed by Customer to Company, and such collection costs shall also be subject to interest charges.

### 4. QUOTATIONS.

a. **Project Quotations.** Project or new construction quotes are restricted to the specific project quoted for the quantities, finishes, and series of Deliverables referenced on the quote. Company reserves the right to require proof of sale of Company products for any quoted project.

b. **Stock Quotations.** Deliverables fulfilling stock quotations may only be used for the following: i) Stocking of the Customer's shelves for small, quick-turn, discretionary projects, or ii) Sale to a general contractor or installer for new construction. Stock quotations may not be used for any project containing any Company no-substitution, specified products. Deliverables purchased under Stock Quotations cannot be redistributed to other Customer branch locations or re-sold to other resellers or used for aftermarket sales, end-user annual contracts or sold over the counter to any walk in trade.

c. **General.** All quotes are subject to this Agreement, unless otherwise specified by Company, and are subject to change at any time prior to Company's acceptance of a purchase order referencing the applicable quote number. Company, its representatives and employees reserve the right, in their sole discretion and for any reason, to refuse a Customer's request to quote a price other than the standard list price, regardless of whether Company or its representatives or employees have previously quoted discounted prices to the Customer on some or all of its orders. Customer's failure to comply with this Section 4 will be considered a material breach of this Agreement, and will entitle Company to immediately terminate any purchase orders and/or Customer's ability to distribute Company's products.

**5. SECURITY INTEREST.** Customer grants Company, and Company retains, a purchase money security interest and lien on any and all of Customer's rights, title and interest in each Deliverable sold by Company to Customer, wherever located, until the invoice for the applicable Deliverable(s) is paid in full, including any late charges and costs of collection. Customer authorizes Company to, and will assist Company in, taking all necessary steps to perfect and maintain Company's interest in such Deliverables.

**6. CREDIT TERMS.** Unless Customer pre-pays all of its purchase orders in advance, its purchase orders will be subject to the credit limit and other terms of credit ("Credit Terms") set forth in Company's credit application, which Credit Terms Customer acknowledges are subject to change by Company at any time. Company reserves the right to request payment in advance of shipment or any order or to request adequate assurances for Customer's payment of an order and may withhold or stop shipment, without any liability to Company, until Customer submits payment or adequate assurance of payment.

**7. RESALE OF DELIVERABLES.** Customer agrees and warrants that it will offer Company products in support of Company-written specifications and will maintain sufficient inventory to adequately support End Users, installers, and/or general contractors' needs. Company may implement an MSRP or a resale pricing programs at any time in its sole discretion. Failure to comply with such program(s) will be considered a material breach of this Agreement, and will entitle Company to immediately terminate any purchase order and/or Customer's ability to distribute Company's products. Customer shall, at its own expense, gain and maintain sufficient knowledge of the industry and products competitive with Deliverables so as to be able to (a) explain in detail to End Users, installers, and/or general contractors the differences between the Deliverables and competing products, (b) ensure that an adequate number of trained, capable and qualified technical personnel with sufficient knowledge of the Deliverables and who have obtained all necessary licenses and permits are available to assist End Users, installers, and/or general contractors, and (c) respond to such End Users, installers, and/or general contractors with respect to the general operation and use of the Deliverables including, but not limited to, (1) acting as a liaison between the End Users, installers and/or general contractors and Company in matters requiring Company participation, (2) providing general product information and configuration support on standard protocols and features, (3) collecting relevant technical problem identification information, and (4) posting and distributing any warranty information concerning the Products in accordance with Company's instructions. Customer is responsible for all service and support resulting from the re-sale of any Deliverable to End-Users, installers and/or general contractors, examples of which may include, but are not limited to, support activities such as installation, initialization, software set-up, training, trouble-shooting, technical support and field service. In the event Customer is unwilling or unable to perform said support activities, Company reserves the right to recover from Customer any and all expenses incurred by Company to resolve the aforementioned End-User, installer and/or general contractor issues. Technical product training is recommended for Customer in order to fully service and support Deliverables purchased from Company that are resold to End-Users, installers and/or general contractors.

**8. DEFAULT.** If Customer is in default of payment or otherwise with respect to any purchase order or other contract with Company, Company shall have the right, in addition to all other legal remedies and without prejudice to any of its right hereunder, to defer further shipments under that or any other purchase order until such default is corrected and to declare all outstanding bills of Customer to be immediately due and payable.

### 9. INSPECTION AND DELIVERY.

a. **Inspection.** Customer will inspect all Deliverables immediately after receiving them. Customer will be deemed to have accepted the Deliverables unless Customer notifies Company in writing of any nonconformance within 10 days of delivery and provides Company written evidence reasonably documenting that nonconformance. Inspection of Deliverables at Company's facility is not permitted.

b. **Delivery.** Delivery schedules for Deliverables are based upon current production capacities, material or component availability, and inventory, and may be changed by Company as conditions require. Delivery schedules for services are based upon Company's prompt receipt of, and prompt access to, Customer's equipment and all information necessary to complete the services. In no event will any delivery date be construed as falling within the meaning of "time is of the essence." Partial delivery shall be accepted by Customer and paid for at the price and on the terms stated herein. Any partial delivery shall constitute a separate sale, and payment shall be separately made when due. If any part of a delivery hereunder is not delivered by Company in accordance with Customer's purchase order, this Agreement shall not be affected thereby.

**10. TITLE & RISK OF LOSS.** Unless otherwise specified by Company, (i) where the Customer is located in the United States, all Deliverables will be sold "Uniform Commercial Code, FOB Origin, Company's factory"; and (ii) where the Customer is located outside of the United

States, all Products will be sold "Ex-works, Company's factory (Incoterms 2010)." In either instance, title and risk of loss will pass to Customer upon delivery to the carrier at Company's factory, provided, however, as set forth herein, Company shall retain a security interest in the Deliverables until full payment has been made therefore, and Customer agrees, upon request, to do all things and acts necessary to protect Company's interest by adequately insuring the Deliverables against loss or damage from any cause and to have Company named as an additional insured. Customer will promptly provide Company with a copy of the relevant certificate of insurance upon Company's request.

## 11. SHIPPING.

a. **Freight Charges.** Company will ship all Deliverables in accordance with Company's freight shipment guidelines, which are set forth on the My Allegion Portal ("Freight Shipping Guidelines"), **WHICH TERMS ARE EXPRESSLY INCORPORATED HEREIN.**

b. **Rush Charges.** Expedited order options are available as set forth in Company's Freight Shipping Guidelines.

c. **Packing and Marking.** Company will pack, mark, and ship Deliverables according to its standard procedures for shipment, unless the parties agree, in writing, that Company will comply with any special instructions provided by Customer. Special instructions may result in an increased price.

d. **International Shipments.** For all international orders, a Shipper's letter of instruction must be submitted in writing with the order. Failure to do so will result in the order being rejected. Complete adherence to this order requirement will be strictly enforced. Company will not be held liable for any charges resulting from delays due to lack of complete required information being supplied.

e. Once received by the Company, a purchase order cannot be combined with any other order to increase average order size as it relates to Company's Freight Shipping Guidelines. However, for orders placed under Company's FastTrack 24 Hour/5 Day Program (available for Schlage, Von Duprin, LCN and Glynn-Johnson products); ii) FastTrack 24 Hour/3 Day Program (available for Ives products); or ProExpress (available for specific product lines stated in the ProExpress price book for Falcon, Ives, Glynn Johnson, LCN, Schlage and Von Duprin products), the applicable brands or product categories may, subject to certain order requirements identified by Company, be combined on a single order to increase average order size used in Company's Freight Shipping Guidelines.

**12. CLAIMS.** All claims must be submitted in writing to Company as follows: (i) All claims for prices must be submitted within thirty (30) days from the date of invoice; (ii) All claims regarding Deliverable quantity or incorrect orders must be submitted within ten (10) days from the date of delivery; (iii) All claims for damage to Deliverables (while in the care, custody, and control of Company) must be submitted within thirty (30) days from the date of invoice; (iv) All claims for loss or damage to Deliverables while in the care, custody, and/or control of a carrier will be the responsibility of Customer, unless otherwise agreed by the parties.

**13. PRODUCT CHANGES.** Company's product policy is one of ongoing update and revision, and accordingly, Company reserves the right to change, without notice, the design of, or the process of manufacturing, the Deliverables covered by this Agreement.

**14. PRODUCT USAGE LIMITATION.** Customer agrees: (i) not to sell or use a Deliverable in any manner contrary to the manner in which the Deliverable is intended to be used; and/or (ii) not to modify the design of any Deliverable for use with another product without the prior written consent of Company.

**15. PRODUCT RETURNS.** Unless otherwise agreed by the parties in writing, Deliverables that are correctly furnished by Company per the purchase order may not be returned unless Customer receives written authorization from Company. If returns are authorized by Company, a return merchandise authorization ("RMA") number must be provided by Company. Deliverables identified under such RMA must be returned to Company within 90 days of issuance of the RMA. Such RMA number and any accompanying RMA documents, the original invoice number, and a written explanation for the return must be included with the returned Deliverables in order for Company to inspect and approve a credit for the return. **For warranty returns,** a credit in the amount of the original purchase price will only be issued if, after Company's receipt and inspection of the returned Deliverables, Company confirms, in its sole discretion, the defect is valid and approves the return. **For non-warranty returns/convenience returns,** in the event Company approves such a return, in its sole discretion, the following shall apply: (a) the total amount of Deliverables requested to be returned shall be a minimum of \$250.00; (b) a credit will be made to Customer's account in the amount of the original purchase price less freight and a handling charge of 45% of the net material on the original invoice; and (c) only Deliverables that are new, current, standard, non-obsolete, non-specially manufactured, unused, in their original condition as at the time of sale by Company to Customer, in their original packaging and in Customer's inventory less than 180 days from the date of shipment by the Company, and not ordered as part of a master key solution may be considered by Company for return. Such credit will only be issued if, after Company's receipt and inspection of Deliverables, Company approves the return. The amount of final credit will be determined upon receipt at the factory and following Company's inspection and analysis of the condition of the returned material. Company retains the right to deny credit to anyone for any reason.

## 16. CONFIDENTIAL INFORMATION.

a. **Non-Use And Non-Disclosure.** Customer shall not use the Confidential Information of the Company except for the purpose of performing its obligations under this Agreement or exercising the rights granted herein (the "Purpose"). Customer shall protect Confidential Information of the Company from disclosure and unauthorized use in the same manner that it protects its own Confidential Information, but in no event shall such standard of care be less than reasonable care. Customer may disclose Confidential Information of the Company only to its employees who require such information for the Purpose and who are subject to confidentiality obligations at least as protective as those set forth herein.

b. **Proprietary Information and Advice.** (a) All designs, data, and specifications provided by Company are proprietary and may not be disclosed or reused by Customer without the prior written consent of Company; (b) Company assumes no obligation or liability for any advice given by Company, the results obtained, or damages incurred as a result of such advice, and all such advice is given and accepted at Customer's risk.

c. **Return.** Upon the termination or expiration of a purchase order or this Agreement or upon the request of the Company, the Customer agrees to end all further use of, to immediately return to the Company the original version of, and to delete or destroy all copies of, any and all Confidential Information of the Company.

**17. TRADEMARKS.** Except as agreed to by Company in writing, Customer agrees not to (a) use Company's name in any form of publicity; or (b) use, create, register or market,

directly or indirectly, in whole or in part, Company's names, logos, brands, or any other trademarks, or names that are now or may hereafter be owned by Company, as part of Customer's corporate or business name, as part of an internet domain name, uniform resource locator (URL), or in any way connected with Customer's business, trade address or other designations. Upon termination of this Agreement or upon the request of company for any reason, any use of Company's trademarks or names will be immediately discontinued.

## 18. LIMITED WARRANTY.

**COMPANY MAKES NO OTHER WARRANTIES EXCEPT THOSE STATED IN COMPANY'S LIMITED WARRANTY IN EFFECT ON THE DATE COMPANY ACCEPTS EACH APPLICABLE PURCHASE ORDER ("LIMITED WARRANTY"). THE LIMITED WARRANTY MAY BE FOUND IN THE APPLICABLE PRICE BOOK AND ON THE ALLEGION CUSTOMER WEBSITE, WHICH TERMS ARE EXPRESSLY INCORPORATED HEREIN BY REFERENCE. COMPANY WILL MAIL CUSTOMER A HARD COPY OF THIS WARRANTY UPON CUSTOMER'S WRITTEN REQUEST. IN THE EVENT THAT CERTAIN DELIVERABLE WARRANTIES ARE NOT FURNISHED BY THE COMPANY TO CUSTOMER, COMPANY WARRANTS ONLY TO CUSTOMER THAT THE DELIVERABLES WILL BE FREE FROM DEFECTS IN MATERIAL AND WORKMANSHIP FOR A PERIOD OF 12 MONTHS FROM THE DATE OF SHIPMENT OF THE DELIVERABLES. COMPANY'S SOLE OBLIGATION UNDER THIS WARRANTY IS LIMITED TO REPAIRING OR REPLACING, AT COMPANY'S OPTION, THE DEFECTIVE DELIVERABLE, PROVIDED WRITTEN NOTICE OF THE DEFECT OR NONCONFORMANCE IS PROVIDED BY CUSTOMER WITHIN 30 DAYS OF DISCOVERY OF THE DEFECT OR NONCONFORMANCE. COMPANY DISCLAIMS ALL OTHER WARRANTIES, EXPRESS OR IMPLIED, WITH RESPECT TO THE DELIVERABLES, INCLUDING BUT NOT LIMITED TO, ANY IMPLIED WARRANTIES OF NON-INFRINGEMENT, MERCHANTABILITY, OR FITNESS FOR A PARTICULAR PURPOSE.**

a. **Exclusions.** The provisions of this Limited Warranty do not apply to Deliverables that: (A) are not the proper size for the application; (B) are not installed in accordance with Company's published installation instructions; (C) are installed with improper or incorrect parts and/or are used for purposes for which they are not designed or intended; (D) have been repaired or altered without the Company's prior written consent; (E) have been subjected to misuse, abuse, negligence or accident; (F) have been improperly stored, installed, maintained or operated; (G) have been used in violation of written instructions provided by Company to Customer; (H) have been subjected to improper temperature, humidity, or other environmental conditions, or (I) have been affected by normal wear and tear. In addition, the provisions of this Limited Warranty do not apply to any defects or issues with the design or performance of equipment or products not manufactured by Company, nor does it apply to any code compliance or permit requirements for the assembly, installation, erection or construction of any goods. Company is not responsible for loss or damage resulting from use of Deliverables in conjunction with parts or systems not manufactured by Company. Accessories or products furnished by the Company, but manufactured by others, shall carry whatever warranty the manufacturers have conveyed to the Company and which can be passed to Customer.

b. **Services.** Company warrants that its services will be free from defects in material and workmanship for a period of 12 months from the date of completion of the particular items of service. Company's sole obligation under this service warranty is limited to repair or reperformance, at its option of the service, provided however, if repair or reperformance is either impractical or impossible, the Company will refund to Customer that portion of the price paid to Company for any defective service, provided written notice of the defect or nonconformance is provided by Customer within 30 days of discovery of the nonconformance.

c. **Notification.** Customer agrees to immediately notify Company in writing if any claim is made against Customer for any damages caused by any modules, parts, products, service or other Deliverables which may be the direct result of any defect in the manufacture of such aforementioned products. Customer agrees to cooperate with Company and its counsel in the defense of such claim and Customer agrees not to settle such claim without Company's written consent. If Customer fails to notify Company of such claim or fails to cooperate in such defense as aforesaid, then Company shall be discharged from any obligations under this Section and shall have no further liability to Customer.

d. **Exceptions.** The following costs and expenses are not covered by the provisions of these limited warranties: (i) labor costs for the removal and reinstallation of Deliverables or other manufacturer's products; (ii) shipping and freight expenses required to return Deliverables to Company; (iii) normal maintenance; and (iv) economic losses. In addition, the provisions of this warranty are not applicable to anything other than defects in Company's material (products only) or workmanship.

## 19. LIMITATION OF REMEDIES.

**CUSTOMER'S EXCLUSIVE AND SOLE REMEDY ON ACCOUNT OF, OR IN RESPECT OF, THE FURNISHING OF NON-CONFORMING DELIVERABLES, SHALL BE TO (A) SECURE REPAIR OR REPLACEMENT OF THE PRODUCTS; OR (B) SECURE REPAIR OR RE-PERFORMANCE OF THE SERVICES OR TO OBTAIN A REFUND OF THE PRICE PAID FOR THE DEFECTIVE SERVICE, ALL AT COMPANY'S OPTION. IN NO EVENT WILL THE COMPANY'S MAXIMUM LIABILITY EXCEED THE SELLING PRICE FOR THE DELIVERABLE. THE WARRANTY, OBLIGATIONS AND LIABILITIES OF COMPANY (INCLUDING ITS SUPPLIERS) AND THE RIGHTS AND REMEDIES OF CUSTOMER ARE EXCLUSIVE AND ARE IN LIEU OF AND CUSTOMER HEREBY WAIVES AND RELEASES ALL OTHER WARRANTIES, OBLIGATIONS, REPRESENTATIONS OR LIABILITIES EXPRESS OR IMPLIED ARISING BY LAW, IN CONTRACT, TORT (INCLUDING NEGLIGENCE OR STRICT LIABILITY) OR OTHERWISE, INCLUDING BUT NOT LIMITED TO (I) ANY IMPLIED WARRANTY OF MERCHANTABILITY OR FITNESS FOR A PARTICULAR PURPOSE OR ANY WARRANTY IMPLIED THROUGH COURSE OF PERFORMANCE, COURSE OF DEALING, OR USAGE OF TRADE OR (II) CLAIMS ARISING OUT OF THE NEGLIGENCE OF COMPANY OR COMPANY'S SUPPLIERS OR (III) ANY OTHER CLAIM ARISING OUT OF, CONNECTED WITH, OR RESULTING FROM THE PERFORMANCE OF COMPANY OR FROM THE DESIGN, MANUFACTURE, SALE, REPAIR, LEASE OR USE OF THE DELIVERABLE, OR ANY COMPONENT THEREOF, DELIVERED OR RENDERED HEREUNDER OR OTHERWISE.**

**20. INDEMNIFICATION AND LIMITATION OF LIABILITY.** a. Customer shall indemnify, defend and hold Company, and its officers, directors, employees, customers, Affiliates, suppliers, users and agents, (collectively the "Indemnitees") harmless from and against any and all damages, claims, losses, expenses, costs, obligations, liabilities, including without limiting the generality of the foregoing, liabilities for court costs and attorneys' fees, suffered directly or indirectly by an Indemnitee by reason of, or arising out of any injury, death or loss to any person, or injury to any property (collectively, "Damages"), received

# TERMS & CONDITIONS

or sustained by any person(s) or property, arising out of, occasioned by, attributable or related to (i) any breach of any representation or warranty made by Customer, its officers, directors, employees, affiliates, users, agents, representatives or customers to Company or any third party, (ii) any failure by Customer to perform or fulfill any of its covenants, acts and/or omissions to Company or to any third party, or (iii) any litigation, proceeding or claim by any third party relating in any way to the obligations of Customer and/or the Deliverables sold by Company to Customer hereunder. Customer shall not consummate any settlement of any indemnified claim without the Indemnitees' prior written consent. Customer's obligation to indemnify Indemnitees will continue in full force and effect notwithstanding the termination or expiration of any order under this Agreement. In any claim against an Indemnitee by an employee of Customer or any subcontractor or anyone directly or indirectly employed by any of them or anyone for whose acts they may be liable, the indemnification obligations set forth in this Section shall not be limited in any way by or for Customer or any subcontractor under any applicable worker's compensation act, disability or other employee benefit act, or insurance coverage. This provision shall survive termination of any order or Agreement. **IN NO EVENT WILL COMPANY, ITS OFFICERS, DIRECTORS, EMPLOYEES, CUSTOMERS, AFFILIATES, USERS AND AGENTS, (NOR COMPANY'S SUPPLIERS) BE LIABLE FOR ANY INCIDENTAL, CONSEQUENTIAL, INDIRECT, SPECIAL, OR PUNITIVE DAMAGES OF ANY KIND OR NATURE UNDER ANY CIRCUMSTANCES INCLUDING, BUT NOT LIMITED TO, LOSS OF USE OF THE PRODUCTS, SERVICE INTERRUPTION, LOSS OF PROFITS, LOSS OF REVENUE, LOSS OF INTEREST, LOSS OF GOODWILL, LOSS OF DATA, WORK STOPPAGE, IMPAIRMENT OF OTHER GOODS, LOSS BY REASON OF SHUTDOWN OR NON-OPERATION, INCREASED EXPENSES OF OPERATION, OR CLAIMS OF CUSTOMER'S CUSTOMERS, OR ANY OTHER LOSSES OR DAMAGES ARISING OUT OF ANY LACK OR LOSS OF USE OF THE DELIVERABLES WHETHER BASED ON CONTRACT, WARRANTY, TORT (INCLUDING, BUT NOT LIMITED TO, STRICT LIABILITY OR NEGLIGENCE), PATENT INFRINGEMENT, OR OTHERWISE, EVEN IF ADVISED OF THE POSSIBILITY OF SUCH DAMAGES.**

b) **INTELLECTUAL PROPERTY INDEMNITY.** Company makes no representation or warranty to the Customer that the Deliverables shall not infringe any intellectual property rights including, without limitations, claims arising from patent, copyright, trademark, trade secret, or other intellectual property infringement. Customer agrees to hold Company harmless from and defend the Company against any such claim of intellectual property infringement, including any Damages resulting from that claim, the cost of complying with any preliminary or permanent injunction, and all other costs of defense (including the attorneys' fees and costs), in connection with the foregoing.

c) To the extent that applicable law does not permit any limitations set out in this Agreement, such limitation shall not be applied or invoked. Nothing in this Agreement will be interpreted to disclaim liability of Company or the Indemnitees for gross negligence or willful misconduct. The limitations of remedy and liability herein shall not be interpreted to affect Company's obligations, if any, for claims for (i) property damage, (ii) personal injury, or (iii) wrongful death asserted by persons who are not parties to or beneficiaries of this Agreement. Further, the limitations of remedy and liability herein shall not be interpreted to limit Company's or Customer's right, if permitted by applicable law, to assert a claim for contribution among joint tortfeasors in connection with a claim by a person who is not a party to this Agreement.

**21. CERTIFICATIONS.** Certification of Deliverables for compliance with UL and ANSI standards are tested and performed by third-party independent laboratories. Any field modification or alteration of certified Deliverables will void certification and Company is not liable to Customer to certify any modified or altered Deliverable.

**22. TERM FOR CLAIMS. NO ACTION ARISING OUT OF ANY CLAIMED BREACH OF THIS AGREEMENT BY COMPANY MAY BE BROUGHT BY CUSTOMER MORE THAN ONE (1) YEAR AFTER THE CAUSE OF ACTION HAS ARISEN.**

**23. CONSUMER PRODUCTS WITH RESPECT TO "CONSUMER PRODUCTS" AS DEFINED UNDER THE MAGNUSON-MOSS WARRANTY ACT ("MMWA"). THE FOLLOWING STATEMENTS ARE MADE. (A) SOME STATES OR LOCAL LAWS DO NOT ALLOW LIMITATIONS ON HOW LONG AN IMPLIED WARRANTY LASTS, SO THE ABOVE LIMITATION MAY NOT APPLY TO YOU; (B) IF ANY IMPLIED WARRANTY IS PROVIDED UNDER THE MMWA, IT IS LIMITED TO THE DURATION OF THE WARRANTY PROVIDED IN SECTION 18 ABOVE. (C) SOME STATES OR LOCAL LAWS DO NOT ALLOW THE EXCLUSION OR LIMITATION OF INCIDENTAL OR CONSEQUENTIAL DAMAGES, SO THE ABOVE LIMITATION OR EXCLUSION MAY NOT APPLY TO YOU; AND (D) THIS WARRANTY GIVES YOU SPECIFIC LEGAL RIGHTS AND YOU MAY ALSO HAVE OTHER RIGHTS WHICH VARY FROM STATE TO STATE OR LOCATION TO LOCATION.**

**24. FORCE MAJEURE/EXCUSABLE DELAY.** Any delay or failure of Company to perform its obligations hereunder will be excused to the extent that it is caused by an event or occurrence beyond Company's control such as, by way of example and not by way of limitation, acts of God, acts by any governmental authority (whether valid or invalid), governmental laws and regulations not presently in effect, fires, floods, windstorms, explosions, riots, natural disasters, wars, sabotage, accidents, labor problems (including, without limitation, lockouts, strikes, and slowdowns) at Company's facility, its source plant or their suppliers, inability to obtain power, material, labor equipment, or transportation, or court injunction or order. The delivery date will be extended for a time equal to that of the delay and the schedule for Company's performance will be deemed adjusted to that effect.

**25. ENTIRE AGREEMENT AND AMENDMENT.** This Agreement, together with the attachments, exhibits, webpages, or supplements specifically referenced and incorporated herein, constitute the entire agreement between Company and Customer with respect to the matters contained herein and supersede all previous communications, representations, or agreements, either oral or written between Company and Customer. No agreement or understanding varying or expanding this Agreement will be binding upon either party unless it is in writing and signed by a duly authorized representative of each party hereto.

**26. CONFLICTS.** In the event of any conflict or inconsistency between the terms of any agreement, or any part of an agreement or the various documents (including, but not limited to, electronic documents) between Company and Customer, unless the parties agree otherwise in writing, the various components of the agreements shall be given the following precedence (in descending order of precedence): a) any master agreement or long term agreement between Company and Customer; b) any specific terms, conditions and/or warranties of the individual products or Deliverables; c) the terms and conditions of this Agreement, and d) any purchase order.

**27. UNSATISFACTORY CREDIT/TERMINATION FOR INSOLVENCY OR DEFAULT.**

Customer shall furnish Company with statements evidencing Customer's financial condition as Company may, from time to time, reasonably request, and shall notify Company immediately of any and all events that may have a material adverse effect on Customer's business or financial condition. If Company determines, in its sole discretion, that Customer's financial condition or creditworthiness is inadequate or unsatisfactory, then in addition to Customer's other rights, Company may without liability or penalty, take any of the following actions: (i) modify the payment terms for any outstanding and/or future purchases; (ii) cancel any previously accepted orders; (iii) delay any further shipment of Deliverables to Customer; or (iv) any combination of the above.

Company may immediately terminate an order from Customer by giving written notice to Customer in the event of the happening of any of the following or any other comparable event: (i) insolvency of the Customer; (ii) filing of a petition in bankruptcy by or against the Customer; (iii) appointment of a receiver or trustee for the Customer; (iv) execution of an assignment for the benefit of creditors by the Customer, all of which will allow Company to demand reclamation of all affected orders; (v) Customer ceases or threatens to cease to trade; (vi) Company determines that Customer does not meet or no longer meets the credit requirements of Company or Customer's credit account is closed; (vii) any Customer violation of law, specifically including, without limitation, those laws set forth in this Agreement.

In the event of termination in accordance with this section, Company will not be obligated to accept any existing or additional orders from Customer and Company will be released from its obligation to deliver under orders accepted prior to such termination. The rejection or termination of any order by Company will not entitle Customer to any termination or severance compensation, or to any payment in respect to any goodwill established by Customer, or render Company liable for damages on account of the loss of prospective profits, or on account of any loss, expenditure, investment or obligation incurred or made by Customer.

No action taken under this Section 27 by Company (nor any failure of Company to act under this Section 27) will constitute a waiver by Company of any of its rights to enforce Customer's obligations, including the obligation of Customer to make payments as required under this Agreement. Upon termination of any order, all amounts owed by Customer to Company will become immediately due and payable, whether or not otherwise then due or payable.

**28. CREDIT RISK ON RESALE OF DELIVERABLES.** Customer is responsible for all credit risks with respect to, and for collecting payment for, all Deliverables sold to third parties (including End Users, installers, and/or general contractors) whether or not Customer has made full payment to Company for such Deliverables. The inability of Customer to collect payment for any Deliverable shall not affect Customer's obligation to pay Company for any Deliverable.

**29. GOVERNING LAW; VENUE; AND EXPENSES.** Any dispute or claim relating to this Agreement shall be governed by and construed according to the laws of the State of Indiana (excluding its conflict of laws principles); and not by the provisions of the 1980 United Nations Convention on the International Sale of Goods. Any disputes or claims shall be instituted and maintained in the courts of the State of Indiana. Customer consents to the exercise of jurisdiction over it by such courts and agrees that Indiana is not an inconvenient forum for any action arising from or relating to this Agreement. Customer agrees to pay for all expenses (including, but not limited to, collection costs, court costs and attorneys' fees) incurred by Company in enforcing the obligations of Customer under this Agreement.

**30. RELATIONSHIP OF THE PARTIES.** Nothing in this Agreement or any other document creates an employment, partnership, joint venture, or agency relationship between Company and Customer, including that of franchisee/franchisor. No party will have any power or authority to enter into any commitment on behalf of or otherwise bind the any other party on any matter. No employee of Customer will be deemed to be an employee of Company. If any provision of this Agreement is deemed to create a franchise relationship or business opportunity between the Parties, then Company may terminate any purchase order or this Agreement or the Parties shall negotiate in good faith to modify this Agreement so as to effect the original intent of the Parties as closely as possible in a mutually acceptable manner in order that the transactions contemplated hereby are consummated as a reseller agreement and not a franchise or business opportunity agreement.

**31. SETOFF.** Customer does not have the right to setoff or to back charge against any amounts which become payable to Company under this Agreement or otherwise. Company will not accept responsibility for backcharges for the cost of material or labor by Customer or any third party.

**32. ELECTRONIC COMMUNICATIONS AND ELECTRONIC SIGNATURES.** Both parties expressly agree to electronic transactions and acknowledge that documents they sign electronically will bind them to the same extent as a paper signature. Customer represents and warrants to Company that only employees authorized to bind Customer legally shall electronically sign any document under this Agreement. Customer shall comply with any method of electronic communication/payment processing specified by Company, including electronic funds transfer, pay-on-receipt processes/systems, order transmission, releases, electronic signature, and electronic communication systems, including, without limitation, the use of electronic data interchange ("EDI") portals. Notwithstanding the foregoing, e-mails, even those containing a signature block of one of Company's representatives, shall not constitute a signed writing.

**33. COMPLIANCE WITH APPLICABLE LAWS.**

a. **General.** Company and Customer will comply with all applicable federal, state and municipal laws, regulations, codes, ordinances and orders that pertain to the Deliverables, including but not limited to full compliance with any applicable provisions of The Health Insurance Portability and Accountability Act. Where the Customer is located outside the United States, or where the customer intends to ship the product outside the United States, the Customer shall be responsible for compliance with all U.S. export laws, and for filing all U.S. Electronic Export Information, as applicable.

b. The Customer acknowledges and agrees that: (i) it shall not violate applicable laws and regulations in performing its duties under this Agreement; (ii) it does not and shall not engage in any conduct that shall violate any applicable anti-bribery or anti-corruption laws or regulations; (iii) it (and its owners, officers, directors, employees and agents) shall not pay, offer, promise or authorize the payment of, either directly or indirectly, anything of value (including but not limited to cash, gifts and entertainment) to (a) any government official or employee of any government; (b) any official or employee of any department, agency, or instrumentality of a government; (c) any employee of any corporation or entity owned or controlled by a government; (d) any family member of such officials or employees; (e) any

political party, party official, or political candidate; or (f) any other persons, owners, officers, directors, employees and agents of any corporation or entity; to improperly or illegally assist in obtaining or retaining business (including but not limited to any contracts, avoidance of duties or reduction of tariffs, reduction of taxes or to obtain money owed, or to obtain regulatory approval) or for the purpose of causing, soliciting or inducing the sale and purchase of the Deliverables by any party, and (iv) it has full knowledge of and will comply with the Company's Code of Conduct for Business Partners as set forth on the Allegion customer website, **WHICH IS HEREBY INCORPORATED BY REFERENCE.**

c. The Customer shall indemnify and hold the Company harmless from any claim, demand, expense or cost arising from any breach of this Article.

d. The Customer shall permit the Company to conduct an audit or review of the Customer's financial books and records and business operations at such other times that the Company considers it necessary to confirm compliance with this provision. Such audit may be conducted by representatives of the Company or, at the Company's sole discretion, by a certified public accounting firm selected by the Company. The Customer shall cooperate with any inquiries from the Company's Ethics & Compliance Group.

e. A violation of this provision constitutes a material breach of this Agreement and the Company may terminate any purchase order or this Agreement immediately, with no opportunity to cure, in accordance with Section 27 of this Agreement.

f. Notwithstanding the foregoing provisions of this Section 33, (i) Company is not responsible for obtaining or maintaining any permits for the performance of services or the verification or compliance with any code requirements relative to the performance of services, (ii) to the extent any sale of Deliverables pursuant to this Agreement may require approval of the U.S. Government, Company's obligations under this Agreement are conditioned upon the grant of such approval and upon compliance by Customer with any restrictions imposed by the U.S. Government in connection with such approval, and (iii) in the event the Deliverables are to be used in a nuclear facility, the Customer shall, prior to such use, arrange for insurance or governmental indemnity protecting Company against liability. The Customer hereby releases and agrees to indemnify Company and its suppliers for any nuclear damage including, but not limited to, loss of use, in any manner arising out of the nuclear incident, whether alleged to be due, in whole or in part by Company or its suppliers.

g. **No Inducements.** Each party represents to each other that neither it nor any person acting on its behalf has, in contravention of any applicable law, given or offered to give or will give or offer to give, any sum of money or other material consideration to any person, directly or indirectly, as an inducement to obtain business hereunder or to influence the granting of licenses or other governmental permissions to enter into this Agreement or perform obligations hereunder.

h. **Equal Employment Opportunity.** Company is a U.S. federal contractor that complies with Executive Order 11246, as amended, and applicable regulations in 41 CFR Parts 60-1 through 60-60, 29 U.S.C. § 793 and applicable regulations in 41 CFR § 60-741; and 38 U.S.C. § 4212 and applicable regulations in 41 CFR Part 60-250 and 60-300. **THE FOLLOWING PROVISIONS ARE INCORPORATED HEREIN BY REFERENCE:** Executive Order 11246, as amended by Executive Order 13672, and 41 CFR § 60-4.3(a); Executive Order 11701 and 41 CFR §§ 60-250.5(a), 60-300.5; Executive Order 11758 and 41 CFR § 60-741.5(a); U.S. immigration laws, including the L-1 Visa Reform Act of 2004 and the H-1B Visa Reform Act of 2004; and Executive Order 13496.

i. **Ethical Business Conduct.** Customer shall adopt and comply with Company's Business Partner Code of Conduct which is **EXPRESSLY INCORPORATED HEREIN BY REFERENCE.**

**34. REPRESENTATIONS AND WARRANTIES.** Customer represents, warrants and covenants to Company that: (a) it has the right, power, and authority to enter into this Agreement and fully perform its obligations hereunder; (b) it has all necessary rights in and to its respective Content and Marks for use within the scope of this Agreement, including the licenses granted herein; and (c) it complies, and at all times shall comply, with all laws, rules, and regulations in effect that are applicable to its performance under this Agreement, including obtaining all such approvals and/or permits as may be required hereunder.

**35. NO THIRD-PARTY BENEFICIARY.** Each party is entering into this Agreement solely based on the representations contained herein for its own purposes and not for the benefit of any third party.

**36. NOTICES AND CHANGE OF ADDRESS.** All notices or other communications under this Agreement shall be in writing and delivered in person, or sent by receipted courier, express mail, e-mail, or postage prepaid certified or registered mail, addressed to the party for whom it is intended, at the addresses set forth in this Agreement. Either party may change its address for notice by giving written notice to the other party. Any notice or other communication shall be deemed given no later than the date actually received. Notice by courier, express mail, certified mail, or registered mail shall be deemed given on the date it is officially recorded as delivered and, in the absence of such record of delivery, it shall be rebuttably presumed to have been delivered on the third Business Day after it was deposited. Notices sent by e-mail require tangible confirmation of receipt from addressee.

**37. ASSIGNMENT.** Customer may not assign this Agreement without the prior written consent of Company. Company may assign its rights and delegate its duties under this Agreement, without the prior consent of Customer, to an Affiliate, or to a third party in the event of a spin-off, merger, business combination, consolidation or sale of all, or substantially all, of its assets or business that are related to this Agreement. The rights and duties in this Agreement shall bind and inure to the benefit of any such assignee.

**38. SEVERABILITY.** If any provision of this Agreement is held to be invalid, illegal, or unenforceable under any statute, regulation, ordinance, executive order, or other rule of law, that provision will be deemed severed to the extent necessary to comply with such statute, regulation, ordinance, order, or rule. In the event such provision is deemed severed, the parties will negotiate in good faith to arrive at an alternative arrangement approximating the original business objective of the parties. The remaining terms and conditions of this Agreement will remain in effect.

**39. NO IMPLIED WAIVER.** The failure of either party at any time to require performance by the other party of any provision of this Agreement will in no way affect the right to require such performance at any time thereafter, nor will the waiver of either party of a breach of any provision of this Agreement constitute a waiver of any succeeding breach of the same or any other provision.

**40. MISCELLANEOUS.** (a) This Agreement does not make either party the agent or legal representative of the other party. Neither party is authorized to create any obligation on behalf of the other party including, but not limited to, the obligation for payment of any service or warranty obligation hereunder; (b) The rights and remedies herein reserved to Company are cumulative and additional to any other rights and remedies provided at law or

equity; (c) The official text of this Agreement is in the English language. If this Agreement is translated into another language, the English text will govern any question with respect to interpretation; (d) The headings in this Agreement are for convenience of reference only and do not affect the meaning of this Agreement in any manner.

## DEFINITIONS.

Capitalized terms have the meanings set forth in this Section, or in the Section in which they first appear in this Agreement.

**"Agreement"** means these Allegion Terms and Conditions of Sale and Service, together with any applicable Country Supplement or Region Supplement provided by Company, and all of the documents referenced herein or therein.

**"Affiliate"** means any Person that directly or indirectly, through one or more intermediaries, controls, is controlled by, or is under common control with, the Company. The term "control" (including the terms "controlled by" and "under common control with") means the possession, directly or indirectly, of the power to direct or cause the direction of the management and policies of a Person, whether through the ownership of voting securities, by contract or otherwise.

**"Business Day"** means any day except Saturday, Sunday or any other day on which commercial banks located in the United States are authorized or required by Law to be closed for business.

**"Company"** means Schlage Lock Company, LLC or any subsidiary or affiliate thereof selling products that are part of the Allegion product portfolio. Schlage Lock Company and/or its subsidiary or affiliates will be severally but not jointly liable under the Agreement.

**"Company Marks"** refers to the Marks of Company.

**"Confidential Information"** shall mean any and all information provided by either party to the other party pertaining to the disclosing party's business. Confidential Information shall include, but not be limited to, any bitting lists, formulae for products, manufacturing processes, production techniques, packaging processes, methods, research materials, ideas, marketing plans and related materials, quality standards, test results and data, apparatus, engineering drawings, contract documents, computer software, hardware, or firmware, business activities information such as financial information, reports, projections, books and records, customer and supplier information, and operations, customer and supplier lists and data, specifications, know how, and other Proprietary Information or Trade Secrets (as defined herein) that either party may furnish to the other party. Confidential Information shall not include information that: (a) is or becomes publicly known if such public knowledge or disclosure is not the result of any act or failure to act on the part of the receiving party; (b) is, at the time of disclosure, already known to the Receiving Party without utilizing the Confidential Information; (c) is information disclosed to the Receiving Party by a third party which is not to the Receiving Party's knowledge, after inquiry of the third party, under a duty of confidentiality to the Disclosing Party; or (d) is independently developed by the Receiving Party without the use of Confidential Information. The Receiving Party shall have the burden of proof as to prior knowledge and absence of breach. Confidential Information may be furnished in any tangible or intangible form including, but not limited to, writings, drawings, computer and other electronic media, logic diagrams, component specifications, graphs, prototypes, samples, or verbal communications and regardless of whether such information is marked or designated as "confidential." For the avoidance of doubt, all information, knowledge or data disclosed by Company to Customer, regardless of whether disclosed in written, tangible, oral, visual or other form, including, without limitation, sample products, equipment, software, or other objects or material, provided by Company to Customer, and all information, knowledge or data which was obtained by Customer from visits to Company's facilities, shall be considered "Confidential Information" under this Agreement.

**"Content"** means all information (including without limitation any text, music, sound, photographs, video, graphics, data or software), in any medium, on a particular Company Web page or Website or in Marketing Materials.

**"Customer"** means the purchaser of Deliverables from Company.

**"Deliverables"** means any good or service or both purchased by Customer from Company under these General Terms and Conditions of Sale and Service.

**"End Users"** means the purchaser that (a) has acquired a Deliverable from Customer for (i) its own and its Affiliate's/Affiliates' internal use and not for resale, remarketing or distribution or (ii) incorporation into its own products and (b) is an individual or entity, other than any federal, state or local agency, office or division.

**"IP"** means all intellectual property and industrial property rights comprising or relating to/ of the following: (a) Patents; (b) Trademarks; (c) internet domain names, whether or not Trademarks, registered by any authorized private registrar or Governmental Authority, web addresses, web pages, website and URLs; (d) works of authorship, expressions, designs and design registrations, whether or not copyrightable, including copyrights and copyrightable works, software and firmware, application programming interfaces, architecture, files, records, schematics, data, data files, and databases and other specifications and documentation; (e) Trade Secrets; and (f) all other intellectual property and industrial property rights, and all rights, interests and protections that are associated with, equivalent or similar to, or required for the exercise of, any of the foregoing, however arising, in each case whether registered or unregistered and including all registrations and applications for, and renewals or extensions of, such rights or forms of protection pursuant to the Laws of any jurisdiction throughout in any part of the world.

**"Marketing Materials"** means all marketing brochures, buckslips, pamphlets, emails, text, call scripts or other material, whether in printed format, audio or audiovisual format, or in any other format, that contain any (i) Content relating to the Company Deliverables or (ii) Company Marks.

**"Marks"** means collectively the domain names, trademarks, trade names, service marks, trade dress, logos, and the like used or provided by either party for use in connection with this Agreement.

**"Patents"** means all patents (including all reissues, divisionals, provisionals, continuations and continuations-in-part, re-examinations, renewals, substitutions and extensions thereof), patent applications, and other patent rights and any other Governmental Authority-issued indicia of invention ownership (including inventor's certificates, petty patents and patent utility models).

**"Person"** means a person or entity.

**"Price Books"** mean Company's current Price Book in effect for the applicable Deliverable being purchased by Customer.

**"Trade Secrets"** means and includes business or technical information of either party, including processes, formulas, devices, techniques, compilations and other material that a party attempts to maintain in secret and that derive commercial value for such party from not being generally known to the public or readily ascertainable through independent development or reverse engineering.

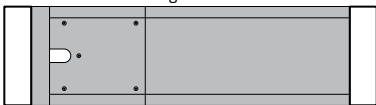
**CUSTOM CHARGE:** Special door markings and bulk packaging markings available at no charge.

**FABRICATION:**

- All items cut with tolerance -0+1/8"(3.2) to 1/2"(12.7)
- Drilling according to industry practice.
- All threshold straight cut.
- NH - No Holes Standard List - All models where NH is standard can have holes drilled as Engineered special, customer must submit template with order. See threshold chart for options.
- PIVOT HOLES \$ 42.00 list each
- COPING (Detail required):
  - L cut \$ 42.00 list price each
  - U cut \$ 84.00 list price each
- RETURN ENDS \$ 189.25 added to total list price threshold
- MITER \$ 9.47 list each
- RIPPING \$ 11.80 list per foot
- SPOT WELD \$ 17.07 list per foot
- BEVELING \$ 11.80 list per foot
- FLOOR CLOSER COVER: Prices are addition to threshold list prices.
- LONG LENGTH THRESHOLD CHARGE (applies to thresholds > 10'. All thresholds above 10' must be ordered to a whole foot increment measure.) \$9.00
- ADB Pull Option (364 & 369) - \$12.00 each

**TYPE 1**

For Doors Hung in Center of Frame

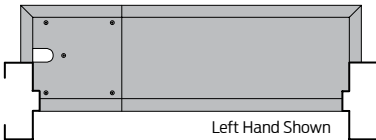


Left Hand Shown

\$ 129.15 list adder single door  
\$ 263.99 list adder double door

**TYPE 3**

For Use with All Offset Closers and Pivot Sets

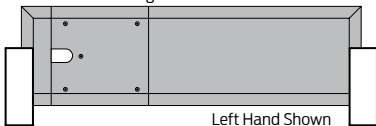


Left Hand Shown

\$ 367.46 list adder single door  
\$ 734.92 list adder double door

**TYPE 4**

For Doors Hung Flush with Face of Frame

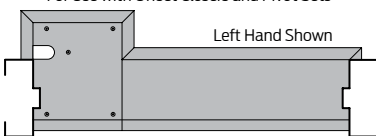


Left Hand Shown

\$ 367.46 list adder single door  
\$ 734.92 list adder double door

**TYPE 5**

For Use with Offset Closers and Pivot Sets



Left Hand Shown

\$ 459.33 list adder single door  
\$ 918.67 list adder double door

**OPTIONS:**

- **E** Epoxy Tread \$10.03
  - **EL** Photoluminescent and Epoxy Tread \$10.03
  - **V3** Full Body Fill for Thresholds \$14.36
  - **EV3** Epoxy Tread and V3 Full Body Fill \$24.40
  - **ELV3** Photoluminescent and Epoxy Tread with V3 Full Body Fill \$24.40
- List price adder x width in inches x length per foot. See table for specific model widths.

**Use Threshold adder chart for widths and available options.**

Example: 655A-V3-36"

Threshold - \$17.30 \*3 (ft)= \$51.90

V3 Adder - \$14.36 \*5 (inches in width)\* 3 (feet in length) = \$215.40

Total Price: \$51.90 + \$215.40= \$267.30

- **FLO** Air Flow Configuration (Sweeps, Shoes, and Door Bottoms) \$3.60 List Adder per foot
- **LS** Light Spring for Door Bottoms
- **PSA** Pressure Sensitive Adhesive (Weather Stripping and Intumescent)
- **SEC** Security Screws
- **Z49** Door Bottom End cap System (with Pull Out) \$18.67  
Z49 Door Bottom End cap PL System \$12.42  
(without Pull out)  
Pull Out Feature \$6.25
- **ZAG** Anti Ligature (Weather Stripping and Head and Jamb) \$ 1.31 List Adder per foot

**FASTENERS:**

Supplied at no charge except drive screws & nails (see page 22). Flathead wood screws supplied with threshold, expansion shields extra.

**ROUNDING RULES:**

Thresholds round up to next 1/2 foot. (except 600CP, 601CP)

Door Sweeps - round up to the next 1/2 foot.

Head & Jamb -

Set: Width to next 1/2 foot \* (height to next 1/2 foot \* 2)

Stick: round up to the next 1/2 foot.

Gasketing/Weatherstripping- round up to the next full foot.

**FINISH DESIGNATIONS / ABBREVIATIONS:**

- A** = Aluminum, Mill finish
- AA** = 204R1/202R1 Clear Anodized Finish
- B** = Architectural Bronze, Mill finish
- BK** = Black Anodized 315AN
- D** = 2 Step Dark Bronze Anodized (Dark Brown)
- G** = 204R1/202R1 Gold Anodized finish
- B-ORB** = Oil Rubbed Bronze finish
- B-POL** = High Buff Polished Bronze
- B-SAT** = Satin Polished Bronze
- SP** = Steel Prime
- STST** = Stainless Steel

**BRONZE FINISHING:**

- **B-ORB** (Oil Rubbed Bronze Finish) Add 40% to list price
- **B-POL** (High Buff Polished Bronze - models 7000, 7332, 7334, 7335, 7336, 7338 only) Add 40% to list price
- **B-SAT** (Satin Polished Bronze - models 7000, 7332, 7334, 7335, 7336, 7338 only) Add 40% to list price



## THRESHOLD MODELS AND OPTIONS

MODEL	NH - OPTIONAL OR STANDARD	THRESHOLD WIDTH FOR ADDER	E OR EL AVAILABLE	V3 AVAILABLE
15	Standard	N/A		
48	Standard	N/A		
49	Standard	N/A		
63	Standard	3"	✓	✓
64	Optional	3"	✓	✓
65	Optional	5"	✓	
68	Standard	N/A		
69	Standard	N/A		
70	Optional	2"/3"	✓	✓
73	Optional	2"/4"	✓	✓
76	Optional	2"/4"	✓	✓
80	Optional	2"/5"	✓	✓
102	Standard	6"	✓	
103	Standard	7"	✓	
104	Standard	6"	✓	
105	Standard	N/A		
106	Standard	N/A		
107	Standard	N/A		
164	Optional	4"	✓	✓
168	Standard	N/A		
175	Optional	3"/5"	✓	✓
232	Standard	6"	✓	✓
233	Standard	3"	✓	
234	Standard	3"	✓	
235	Standard	3"	✓	
236	Standard	6"	✓	
237	Standard	4"	✓	
238	Standard	4"	✓	
259R	Standard	N/A		
265	Optional	5"	✓	
267	Optional	2"	✓	
268	Standard	N/A		
269	Standard	N/A		
304	Optional	2"		✓
469	Standard	N/A		
522	Optional	2"	✓	✓
523	Optional	3"	✓	✓
524	Optional	3"	✓	✓
525	Optional	5"	✓	✓
526	Optional	6"	✓	✓
544	Optional	4"	✓	✓
545	Optional	5"	✓	✓
546	Standard	6"	✓	✓
547	Standard	7"	✓	✓
548	Standard	8"	✓	✓
560	Optional	5"	✓	✓
561	Optional	5"	✓	✓
563	Optional	4"	✓	✓
564	Optional	4"	✓	✓
565	Optional	5"	✓	✓
566	Optional	5"	✓	✓
568	Optional	6"	✓	✓
600CP	Standard	N/A		

MODEL	NH - OPTIONAL OR STANDARD	THRESHOLD WIDTH FOR ADDER	E OR EL AVAILABLE	V3 AVAILABLE
601CP	Standard	N/A		
622	Optional	2"	✓	✓
623	Optional	3"	✓	✓
624	Optional	4"	✓	✓
625	Optional	5"	✓	✓
626	Optional	6"	✓	✓
627	Optional	2"	✓	✓
628	Optional	3"	✓	✓
643	Optional	3"	✓	✓
647	Standard	7"	✓	✓
653	Optional	3"	✓	✓
654	Optional	4"	✓	✓
655	Optional	5"	✓	✓
656	Standard	6"	✓	✓
657	Standard	7"	✓	✓
663	Standard	3"	✓	✓
664	Optional	4"	✓	✓
672	Standard	2"	✓	
673	Standard	3"	✓	
674	Standard	4"	✓	
675	Standard	5"	✓	
676	Standard	6"	✓	
678	Standard	8"	✓	
1545	Optional	3"	✓	✓
1673	Optional	3"	✓	✓
1674	Optional	4"	✓	✓
1675	Optional	5"	✓	✓
1682	Optional	2"	✓	✓
1684	Optional	4"	✓	✓
1685R	Standard	N/A		
1686R	Standard	N/A		
2361	Standard	4"	✓	
2673	Standard	3"	✓	
2676	Standard	6"	✓	
3672	Standard	2"	✓	
3673	Standard	3"	✓	
3674	Standard	4"	✓	
3675	Standard	5"	✓	
3676	Standard	6"	✓	
6570	Standard	7"	✓	✓
6575	Standard	8"	✓	✓
6710	Standard	10"	✓	
7000	Optional	N/A		
7332	Optional	N/A		
7334	Optional	N/A		
7335	Optional	N/A		
7336	Optional	N/A		
7337	Optional	N/A		
8452	Optional	2"	✓	
8655	Optional	5"	✓	✓
8724	Optional	6"	✓	✓
8726	Optional	8"	✓	✓
8729	Optional	7"	✓	✓

# CATALOG ITEMS NUMERICAL INDEX

PART NUMBER	LIST PRICE PER FOOT	LIST PRICE PER METER	TYPE	DESCRIPTION
4B	\$ 9.80	\$ 32.16	Weather Stripping	Bronze Jamb 1 3/4" (44.5) Top Sash
4Z	\$ 3.15	\$ 10.33	Weather Stripping	Zinc Jamb 1 3/4" (44.5) Top Sash
5B	\$ 10.69	\$ 35.07	Weather Stripping	Bronze Jamb 2 1/8" (54.0) Lower Sash
5Z	\$ 3.45	\$ 11.30	Weather Stripping	Zinc Jamb 2 1/8" (54.0) Lower Sash
11A	\$ 4.33	\$ 14.23	Rain Drip	Aluminum Rain Drip
11D	\$ 6.00	\$ 19.68	Rain Drip	Dark Bronze Anodized Rain Drip
11BK	\$ 6.00	\$ 19.68	Rain Drip	Dark Bronze Anodized Rain Drip
11G	\$ 6.00	\$ 19.68	Rain Drip	Gold Anodized Rain Drip
15B**	\$ 35.29	\$ 115.78	Threshold	Bronze Butt Threshold 1.4" (35.6)
18B	\$ 1.71	\$ 5.61	Weather Stripping	Cushion Bronze 9/16" (14.2)
19B	\$ 1.96	\$ 6.44	Weather Stripping	Cushion Bronze 3/4" (19.1)
19WB	\$ 2.01	\$ 6.57	Weather Stripping	Cushion Bronze 1 1/8" (28.6)
23B	\$ 6.69	\$ 21.97	Weather Stripping	Bronze Sill Hook
25AA	\$ 2.48	\$ 8.15	Gasketing	Clear Anodized Extruded Aluminum Angle
25D	\$ 4.71	\$ 15.43	Gasketing	Dark Bronze Anodized Angle
25G	\$ 4.71	\$ 15.43	Gasketing	Gold Anodized Angle
31AA	\$ 7.60	\$ 24.94	Gasketing	Clear Anodized Bumper Strip / Silicone
31BK	\$ 10.79	\$ 35.42	Gasketing	Black Anod. Bumper Strip/ Silicone
31D	\$ 10.79	\$ 35.42	Gasketing	Dark Bronze Anod. Bumper Strip/ Silicone
31G	\$ 10.79	\$ 35.42	Gasketing	Gold Anodized Bumper Strip/ Silicone
32AA	\$ 7.60	\$ 24.94	Gasketing	Clear Anodized Bumper Strip / Brush
32BK	\$ 10.79	\$ 35.42	Gasketing	Black Anodized Bumper Strip/ Brush
32D	\$ 10.79	\$ 35.42	Gasketing	Dark Bronze Anodized Bumper Strip/ Brush
32G	\$ 10.79	\$ 35.42	Gasketing	Gold Anodized Bumper Strip / Brush
32P-BK	\$ 1.87	\$ 6.14	Replacement Gasket	Self Adhesive Pile Brush, Black
32P-GY	\$ 1.87	\$ 6.14	Replacement Gasket	Self Adhesive Pile Brush, Gray
33AA	\$ 7.60	\$ 24.94	Gasketing	Clear Anodized / Silicone Lip
33BK	\$ 10.79	\$ 35.42	Gasketing	Black Anodized / Silicone Lip
33D	\$ 10.79	\$ 35.42	Gasketing	Dark Bronze Anodized / Silicone Lip
33G	\$ 10.79	\$ 35.42	Gasketing	Gold Anodized / Silicone Lip
34AA	\$ 10.50	\$ 34.44	Meeting Stile	Clear Anodized / Brush / Adjustable
34BK	\$ 14.73	\$ 48.33	Meeting Stile	Black Anodized / Brush / Adjustable
34D	\$ 14.73	\$ 48.33	Meeting Stile	Dark Bronze Anodized / Brush / Adjustable
34G	\$ 14.73	\$ 48.33	Meeting Stile	Gold Anodized / Brush / Adjustable
34P-BK	\$ 4.30	\$ 14.10	Replacement Gasket	Pile Brush, Black
34P-GY	\$ 4.30	\$ 14.10	Replacement Gasket	Pile Brush, Gray
34P-BK-PSA	\$ 4.30	\$ 14.10	Gasketing	Self Adhesive Pile Brush, Black
34P-GY-PSA	\$ 4.30	\$ 14.10	Gasketing	Self Adhesive Pile Brush, Gray
35AA	\$ 10.50	\$ 34.44	Meeting Stile	Clear Anodized/ Silicone Lip/ Adjustable
35BK	\$ 14.73	\$ 48.33	Meeting Stile	Dark Bronze Anod./ Silicone Lip/ Adjustable
35D	\$ 14.73	\$ 48.33	Meeting Stile	Dark Bronze Anod./ Silicone Lip/ Adjustable
35G	\$ 14.73	\$ 48.33	Meeting Stile	Gold Anodized/ Silicone Lip/ Adjustable
36AA	\$ 10.34	\$ 33.92	Meeting Stile	Clear Anodized/ Silicone Lip/ Adjustable
36BK	\$ 14.73	\$ 48.33	Meeting Stile	Black Anod./ Silicone Lip/ Adjustable
36D	\$ 14.73	\$ 48.33	Meeting Stile	Dark Bronze Anod./ Silicone Lip/ Adjustable
36G	\$ 14.73	\$ 48.33	Meeting Stile	Gold Anodized / Silicone Lip/ Adjustable
38AA	\$ 10.34	\$ 33.92	Meeting Stile	Clear Anodized / Solid Insert
38BK	\$ 14.73	\$ 48.33	Meeting Stile	Black Anodized / Solid Insert
38D	\$ 14.73	\$ 48.33	Meeting Stile	Dark Bronze Anodized / Solid Insert
38G	\$ 14.73	\$ 48.33	Meeting Stile	Gold Anodized / Solid Insert
39A	\$ 7.67	\$ 25.14	Door Sweep	Aluminum / Solid Neoprene 1/2" (12.7)
39BK	\$ 10.34	\$ 33.93	Door Sweep	Black Anodized / Solid Neoprene 1/2" (12.7)
39D	\$ 10.34	\$ 33.93	Door Sweep	Dark Bronze Anod./Solid Neoprene 1/2" (12.7)
39G	\$ 10.34	\$ 33.93	Door Sweep	Gold Anodized / Solid Neoprene 1/2" (12.7)
39N	\$ 4.03	\$ 13.24	Replacement Gasket	1-3/8" Tall Sweep Seal - Neoprene
39WA	\$ 10.50	\$ 34.44	Door Sweep	Aluminum / Solid Neoprene 1 1/4" (31.8)
39WBK	\$ 14.06	\$ 46.11	Door Sweep	Black Anodized / Solid Neoprene 1 1/4"
39WD	\$ 14.06	\$ 46.11	Door Sweep	Dark Bronze Anodized / Solid Neoprene 1 1/4"
39WN	\$ 6.83	\$ 22.41	Replacement Gasket	2" Tall Sweep Seal - Neoprene
40AA	\$ 17.01	\$ 55.80	Meeting Stile	Clear Anodized Astragal / Magnet Vinyl
40D	\$ 25.39	\$ 83.27	Meeting Stile	Dark Bronze Anod. Astragal/ Magnet Vinyl
41AA	\$ 15.02	\$ 49.28	Meeting Stile	Clear Anodized Security Astragal
41BK	\$ 16.22	\$ 53.21	Meeting Stile	Dark Bronze Anodized Security Astragal
41D	\$ 16.22	\$ 53.21	Meeting Stile	Dark Bronze Anodized Security Astragal
41G	\$ 16.22	\$ 53.21	Meeting Stile	Gold Anodized Security Astragal
43SP	\$ 14.28	\$ 46.86	Meeting Stile	Steel Prime Astragal 2 1/4" (57.2)
43STST	\$ 29.87	\$ 98.00	Meeting Stile	Stainless Steel Astragal 2 1/4" (57.2)

PART NUMBER	LIST PRICE PER FOOT	LIST PRICE PER METER	TYPE	DESCRIPTION
44XA	\$ 24.42	\$ 80.13	Meeting Stile	Aluminum 1.470" (37.3) x .375"(9.5) Lead Lined
44STST	\$ 17.88	\$ 58.70	Meeting Stile	Stainless Steel Astragal 1 1/2" (38.1)
47A	\$ 8.72	\$ 28.58	Meeting Stile	Aluminum astragal 1 3/4"(44.5) x 1/8"(3.2)
47BK	\$ 12.08	\$ 28.58	Meeting Stile	Black Anod. astragal 1 3/4"(44.5) x 1/8"(3.2)
47D	\$ 12.08	\$ 28.58	Meeting Stile	Dark Bronze Anod. astragal 1 3/4"(44.5) x 1/8"(3.2)
47G	\$ 12.08	\$ 28.58	Meeting Stile	Gold Anod. astragal 1 3/4"(44.5) x 1/8"(3.2)
50A	\$ 6.15	\$ 20.18	Gasketing	Aluminum / Neoprene
50BK	\$ 8.57	\$ 20.18	Gasketing	Black Anodizing / Neoprene
50D	\$ 8.57	\$ 20.18	Gasketing	Dark Bronze Anodizing / Neoprene
50G	\$ 8.57	\$ 20.18	Gasketing	Gold Anodizing / Neoprene
50MA	\$ 6.94	\$ 22.77	Door Sweep	Aluminum / Beveled Neoprene
50MBK	\$ 9.67	\$ 22.77	Door Sweep	Black Anodizing / Beveled Neoprene
50MD	\$ 9.67	\$ 22.77	Door Sweep	Dark Bronze Anodizing / Beveled Neoprene
50MG	\$ 9.67	\$ 22.77	Door Sweep	Gold Anodizing / Beveled Neoprene
50MN	\$ 3.02	\$ 9.93	Replacement Gasket	1" Tall Beveled Sweep Seal - Neoprene
51A-90	\$ 14.13	\$ 46.39	Finger Guard	6.5" W rubber, grey. For doors that open to 90°
51BK-90	\$ 19.80	\$ 46.39	Finger Guard	6.5" W rubber, grey. For doors that open to 90°
51D-90	\$ 19.80	\$ 46.39	Finger Guard	6.5" W rubber, grey. For doors that open to 90°
51G-90	\$ 19.80	\$ 46.39	Finger Guard	6.5" W rubber, grey. For doors that open to 90°
51A-180	\$ 15.10	\$ 49.55	Finger Guard	8.5" W rubber, grey. For doors that open to 180°
51N-5-GY	\$ 4.08	\$ 13.41	Replacement Gasket	5" Wide Flexible Strip - EPDM Rubber
51N-6-GY	\$ 8.95	\$ 29.37	Replacement Gasket	6.5" Wide EPDM Gray
51N-8-GY	\$ 12.66	\$ 41.58	Replacement Gasket	8.5" Wide EPDM Gray
52A	\$ 9.98	\$ 32.72	Door Sweep	Neoprene in Aluminum Track, 1 7/16" (36.5)
52N	\$ 4.99	\$ 16.38	Replacement Gasket	1.64" Wide Track Seal - Neoprene
53A	\$ 7.59	\$ 24.94	Door Sweep	Neoprene in Aluminum Track, 3/4" (19.1)
53N	\$ 3.94	\$ 12.93	Replacement Gasket	1.06 Wide Track Seal - Neoprene
55AA	\$ 20.84	\$ 68.37	Meeting Stile	Clear Anodized / Solid Insert / Adjustable Astragal
55BK	\$ 30.56	\$ 100.29	Meeting Stile	Black Anodized / Solid Insert Intumescent, Adjustable Surface Astragal
55D	\$ 30.56	\$ 100.29	Meeting Stile	Dark Bronze Anodized / Solid Insert Intumescent, Adjustable Surface Astragal
55G	\$ 30.56	\$ 100.29	Meeting Stile	Gold Anodized / Solid Insert Intumescent, Adjustable Surface Astragal
55FS-AA	\$ 27.67	\$ 90.79	Meeting Stile	Clear Anodized / Solid Insert Intumescent, Adjustable Surface Astragal
55FS-BK	\$ 34.69	\$ 113.89	Meeting Stile	Black Anodized / Solid Insert Intumescent, Adjustable Surface Astragal
55FS-D	\$ 34.69	\$ 113.81	Meeting Stile	Dark Bronze Anodized / Solid Insert Intumescent, Adjustable Surface Astragal
55FS-G	\$ 34.69	\$ 113.89	Meeting Stile	Gold Anodized / Solid Insert Intumescent, Adjustable Surface Astragal
56AA	\$ 20.84	\$ 68.37	Meeting Stile	Clear Anod. Adjustable Mortised Astragal
56BK	\$ 30.56	\$ 100.29	Meeting Stile	Black Anodized / Solid Insert Intumescent, Adjustable Mortised Astragal
56D	\$ 30.56	\$ 100.29	Meeting Stile	Dark Bronze Anodized / Solid Insert Intumescent, Adjustable Mortised Astragal
56G	\$ 30.56	\$ 100.29	Meeting Stile	Gold Anod. Adjustable Mortised Astragal
56FS-AA	\$ 26.41	\$ 86.66	Meeting Stile	Clear Anodized Intumescent Fire Stop
56FS-BK	\$ 36.04	\$ 118.22	Meeting Stile	Black Anodized Intumescent Fire Stop
56FS-D	\$ 36.04	\$ 118.22	Meeting Stile	Dark Bronze Anod. Intumescent Fire Stop
56FS-G	\$ 36.04	\$ 118.22	Meeting Stile	Gold Anodized Intumescent Fire Stop
58FS-AA	\$ 10.14	\$ 33.25	Gasketing	Clear Anodized Intumescent Fire Stop
58FS-D	\$ 12.93	\$ 42.42	Gasketing	Dark Bronze Intumescent Fire Stop
58FS-G	\$ 12.93	\$ 42.42	Gasketing	Gold Anodized Intumescent Fire Stop
59FS-A	\$ 16.41	\$ 53.84	Gasketing	Aluminum / Intumescent / Neoprene Blade PSA
59N	\$ 2.37	\$ 7.79	Replacement Gasket	Lip Seal for Mortise Aluminum Track
63A	\$ 8.26	\$ 27.12	Threshold	Aluminum Threshold 3"(76.2) x 1/4"(6.4)
63BK	\$ 11.41	\$ 27.12	Threshold	Black Anod. Threshold 3"(76.2) x 1/4"(6.4)
63D	\$ 11.41	\$ 27.12	Threshold	Dark Bronze Anod. Threshold 3"(76.2) x 1/4"(6.4)
63G	\$ 11.41	\$ 27.12	Threshold	Gold Threshold 3"(76.2) x 1/4"(6.4)

PART NUMBER	LIST PRICE PER FOOT	LIST PRICE PER METER	TYPE	DESCRIPTION
64A	\$ 5.94	\$ 19.50	Threshold	Aluminum Threshold 2 1/2" (63.5)
64BK	\$ 8.25	\$ 19.50	Threshold	Black Anodized Threshold 2 1/2" (63.5)
64D	\$ 8.25	\$ 19.50	Threshold	Dark Bronze Anod. Threshold 2 1/2" (63.5)
64G	\$ 8.25	\$ 19.50	Threshold	Gold Threshold 2 1/2" (63.5)
65A	\$ 18.05	\$ 59.23	Threshold	Aluminum Threshold / Silicone Stop 5" (127.0) wide 1/2" (12.7) high
65B	\$ 116.08	\$ 380.84	Threshold	Bronze Threshold / Silicone Stop 5" (127.0) wide 1/2" (12.7) high
68A**	\$ 6.17	\$ 20.24	Threshold	Aluminum Threshold Rest 1/2" (12.7)
68BK**	\$ 8.59	\$ 20.24	Threshold	Black Anodized Threshold Rest 1/2" (12.7)
68D**	\$ 8.59	\$ 20.24	Threshold	Dark Bronze Anod. Threshold Rest 1/2" (12.7)
68G**	\$ 8.59	\$ 20.24	Threshold	Gold Threshold Rest 1/2" (12.7)
68B**	\$ 29.57	\$ 97.04	Threshold	Bronze Threshold Rest 1/2" (12.7)
69A**	\$ 5.94	\$ 19.50	Threshold	Aluminum Plate 1/4"(6.4) x 1 1/8"(28.6)
69BK**	\$ 8.27	\$ 19.50	Threshold	Black Anodized Plate 1/4"(6.4) x 1 1/8"(28.6)
69D**	\$ 8.27	\$ 19.50	Threshold	Dark Bronze Anodized Plate 1/4"(6.4) x 1 1/8"(28.6)
69G**	\$ 8.27	\$ 19.50	Threshold	Gold Plate 1/4"(6.4) x 1 1/8"(28.6)
70B	\$ 57.92	\$ 190.04	Threshold	Bronze Threshold 3" (76.2)
72A	\$ 12.16	\$ 39.91	Door Sweep	Neoprene in Aluminum Track
72N	\$ 6.93	\$ 22.75	Replacement Gasket	2-5/8" Wide Neoprene Strip
73A	\$ 13.81	\$ 45.34	Threshold	Aluminum 4"(10.6) / Neoprene Stop
73BK	\$ 19.28	\$ 45.34	Threshold	Black Anodized 4"(10.6) / Neoprene Stop
73D	\$ 19.28	\$ 45.34	Threshold	Dark Bronze Anod. 4"(10.6) / Neoprene Stop
73G	\$ 19.28	\$ 45.34	Threshold	Gold Anodized 4"(10.6) / Neoprene Stop
76B	\$ 85.96	\$ 282.04	Threshold	Bronze / Water Return option 3 1/2" (88.9)
80B	\$ 78.48	\$ 257.52	Threshold	Bronze 4 1/4" (108.0)
84R-PSA	\$ 6.32	\$ 20.75	Threshold	Traction Tread Neoprene with PSA, 1" (25.4) Wide x 1/4" (6.4) Thick
93	\$ 16.63	\$ 54.59	Gasketing	3" (76.2) Loop Neoprene
93N	\$ 2.37	\$ 7.79	Replacement Gasket	3" Wide Bulb Seal-Neoprene
95A	\$ 10.43	\$ 34.24	Gasketing	Aluminum / Neoprene
95BK	\$ 14.64	\$ 34.24	Gasketing	Black Anodized / Neoprene
95D	\$ 14.64	\$ 34.24	Gasketing	Dark Bronze Anodized / Neoprene
95BG	\$ 14.64	\$ 34.24	Gasketing	Gold Anodized / Neoprene
96P	\$ 10.57	\$ 34.72	Replacement Gasket	1.125" Nylon Brush
96A	\$ 17.93	\$ 58.81	Door Sweep	Aluminum / Brush
96BK	\$ 17.93	\$ 58.81	Door Sweep	Black Anodized / Brush
96D	\$ 17.93	\$ 58.81	Door Sweep	Dark Bronze Anodized / Brush
96G	\$ 17.93	\$ 58.81	Door Sweep	Gold Anodized / Brush
98A	\$ 6.78	\$ 22.22	Gasketing	Aluminum / Pile
98A-PSA	\$ 7.21	\$ 23.67	Meeting Stile	Aluminum / Pile / PSA
98BK	\$ 10.02	\$ 32.85	Gasketing	Black Anodized / Brush
98BK-PSA	\$ 10.45	\$ 34.28	Meeting Stile	Black Anodized / Brush / PSA
98D	\$ 10.02	\$ 32.85	Gasketing	Dark Bronze Anodized / Brush
98D-PSA	\$ 10.45	\$ 34.28	Meeting Stile	Dark Bronze Anodized / Brush / PSA
98G	\$ 10.02	\$ 32.85	Gasketing	Gold Anodized / Brush
98G-PSA	\$ 10.45	\$ 34.28	Meeting Stile	Gold Anodized / Brush / PSA
99A	\$ 6.78	\$ 22.22	Gasketing	Aluminum / Silicone
99BK	\$ 10.08	\$ 33.07	Gasketing	Black Anodized / Silicone
99D	\$ 10.08	\$ 33.07	Gasketing	Dark Bronze Anodized / Silicone
99G	\$ 10.08	\$ 33.07	Gasketing	Gold Anodized / Silicone
100A	\$ 6.78	\$ 22.22	Gasketing	Aluminum / Silicone Lip
100BK	\$ 10.02	\$ 32.85	Gasketing	Black Anodized / Silicone Lip
100D	\$ 10.02	\$ 32.85	Gasketing	Dark Bronze Anodized / Silicone Lip
100G	\$ 10.02	\$ 32.85	Gasketing	Gold Anodized / Silicone Lip
102A**	\$ 13.98	\$ 45.86	Threshold	Aluminum 5 1/2" (139.7) Off Set Threshold
102BK**	\$ 19.23	\$ 45.86	Threshold	Black Anod. 5 1/2" (139.7) Off Set Threshold
102D**	\$ 19.23	\$ 45.86	Threshold	Dark Bronze Anod. 5 1/2" (139.7) Off Set Threshold
102G**	\$ 19.23	\$ 45.86	Threshold	Gold Anod. 5 1/2" (139.7) Off Set Threshold
103A**	\$ 17.05	\$ 55.97	Threshold	Aluminum 7" (177.8) Off Set Threshold
103BK**	\$ 23.35	\$ 55.97	Threshold	Black Anodized 7" (177.8) Off Set Threshold

PART NUMBER	LIST PRICE PER FOOT	LIST PRICE PER METER	TYPE	DESCRIPTION
103D**	\$ 23.35	\$ 55.97	Threshold	Dark Bronze Anod. 7" (177.8) Off Set Threshold
103G**	\$ 23.35	\$ 55.97	Threshold	Gold Anodized 7" (177.8) Off Set Threshold
104A**	\$ 16.10	\$ 52.84	Threshold	Aluminum 6" (152.4) Off Set Threshold
104BK**	\$ 22.09	\$ 52.84	Threshold	Black Anodized 6" (152.4) Off Set Threshold
104D**	\$ 22.09	\$ 52.84	Threshold	Dark Bronze Anod. 6" (152.4) Off Set Threshold
104G**	\$ 22.09	\$ 52.84	Threshold	Gold Anodized 6" (152.4) Off Set Threshold
105A**	\$ 15.42	\$ 50.58	Threshold	Aluminum Bulkhead Door Threshold 3" (76.2)
105BK**	\$ 21.20	\$ 50.58	Threshold	Black Anod. Bulkhead Door Threshold 3" (76.2)
105D**	\$ 21.20	\$ 50.58	Threshold	Dark Bronze Anod. Bulkhead Door Threshold 3" (76.2)
105G**	\$ 21.20	\$ 50.58	Threshold	Gold Anod. Bulkhead Door Threshold 3" (76.2)
106A**	\$ 11.30	\$ 37.04	Threshold	Aluminum Bulkhead Door Threshold 3/4" (19.1)
106BK**	\$ 15.50	\$ 37.04	Threshold	Black Anod. Bulkhead Door Threshold 3/4" (19.1)
106D	\$ 15.50	\$ 37.04	Threshold	Dark Bronze Anod. Bulkhead Door Threshold 3/4" (19.1)
106G**	\$ 15.50	\$ 37.04	Threshold	Gold Anod. Bulkhead Door Threshold 3/4" (19.1)
107B**	\$ 63.84	\$ 209.47	Threshold	Bronze Bulkhead Door Threshold 1 7/8" (47.6)
110AA	\$ 10.64	\$ 34.90	Door Sweep	Clear Anodized Door Shoe / Pile
110BK	\$ 14.84	\$ 34.90	Door Sweep	Black Anodized Door Shoe / Pile
110D	\$ 14.84	\$ 34.90	Door Sweep	Dark Bronze Anodized Door Shoe / Pile
110G	\$ 14.84	\$ 34.90	Door Sweep	Gold Anodized Door Shoe / Pile
111AA	\$ 10.64	\$ 34.90	Door Sweep	Clear Anodized Shoe / Neoprene
111FS-AA	\$ 11.55	\$ 37.90	Door Sweep	Clear Anodized Shoe / Intumescent
111FS-BK	\$ 16.28	\$ 37.90	Door Sweep	Black Anodized Door Shoe / Intumescent
111FS-D	\$ 16.28	\$ 37.90	Door Sweep	Dark Bronze Anod. Door Shoe / Intumescent
111FS-G	\$ 16.28	\$ 37.90	Door Sweep	Gold Anodized Door Shoe / Intumescent
117S-BK	\$ 1.38	\$ 4.52	Weather Stripping	Black Silicone Seal / Self Adhesive
118B	\$ 2.11	\$ 6.92	Weather Stripping	Cushion Bronze / Adhesive 9/16" (14.2)
119B	\$ 2.66	\$ 8.74	Weather Stripping	Cushion Bronze / Adhesive 3/4" (19.1)
119WB	\$ 2.97	\$ 9.75	Weather Stripping	Cushion Bronze / Adhesive 1 1/8" (28.6)
133	\$ 8.68	\$ 28.48	Meeting Stile	Glass Edge Protection 1/2"(12.7) PVC / Brush
134	\$ 8.68	\$ 28.48	Meeting Stile	Glass Edge Protection 1/2"(12.7) PVC / Neoprene
135	\$ 5.38	\$ 17.62	Meeting Stile	Glass Edge Protection 1/2"(12.7) PVC
136	\$ 7.46	\$ 24.46	Meeting Stile	Glass Edge Protection 3/4"(19.1) PVC
137	\$ 7.12	\$ 23.36	Meeting Stile	PVC / Pile for 1/2" (12.7) Glass Door
137P-BK-PSA	\$ 2.33	\$ 7.64	Miscellaneous	Polypropylene Pile - .270"w x .250"h, Black w/PSA
137P-GY-PSA	\$ 2.33	\$ 7.64	Miscellaneous	Polypropylene Pile - .270"w x .250"h, Grey w/PSA
137TAPE	\$ 22.72	each	Miscellaneous	Dual sided closed cell foam tape, white, 3/8"w x 1/32" x 216' roll.
138	\$ 9.26	\$ 30.36	Meeting Stile	PVC / Pile for 3/4" (19.1) Glass Door
138TAPE	\$ 32.76	each	Miscellaneous	Dual sided closed cell foam tape, white, 5/8"w x 1/32" x 216' roll.
139A	\$ 7.38	\$ 24.21	Gasketing	Aluminum / Neoprene
139BK	\$ 9.93	\$ 32.59	Gasketing	Black Anodized / Neoprene
139D	\$ 9.93	\$ 32.59	Gasketing	Dark Bronze Anodized / Neoprene
139G	\$ 9.93	\$ 32.59	Gasketing	Gold Anodized / Neoprene
139N	\$ 3.34	\$ 10.95	Replacement Gasket	Neoprene 1 1/4"(31.8) x 1/8"(3.2)
139N-PSA	\$ 5.34	\$ 17.54	Replacement Gasket	Neoprene 1 1/4"(31.8) x 1/8"(3.2) with PSA
140A	\$ 9.34	\$ 30.62	Gasketing	Aluminum / Neoprene
140BK	\$ 13.01	\$ 30.62	Gasketing	Black Anodized / Neoprene
140D	\$ 13.01	\$ 30.62	Gasketing	Dark Bronze Anodized / Neoprene
140BG	\$ 13.01	\$ 30.62	Gasketing	Gold Anodized / Neoprene
141AA	\$ 8.49	\$ 27.87	Rain Drip	Clear Anodized Extruded Rain Drip
141BK	\$ 13.49	\$ 41.99	Rain Drip	Black Anodized Extruded Rain Drip
141D	\$ 13.49	\$ 41.99	Rain Drip	Dark Bronze Anodized Extruded Rain Drip
141G	\$ 13.49	\$ 41.99	Rain Drip	Gold Anodized Extruded Rain Drip

\*\*Supplied without mounting holes.

PART NUMBER	LIST PRICE PER FOOT	LIST PRICE PER METER	TYPE	DESCRIPTION
142AA	\$ 7.29	\$ 23.92	Rain Drip	Clear Anodized Extruded Rain Drip
142BK	\$ 12.29	\$ 40.33	Rain Drip	Black Anodized Rain Drip
142D	\$ 12.29	\$ 40.33	Rain Drip	Dark Bronze Anodized Rain Drip
142G	\$ 12.29	\$ 40.33	Rain Drip	Gold Anodized Rain Drip
144AA	\$ 3.95	\$ 12.97	Gasketing	Clear Anodized Extruded Hook / Silicone Tube
153A	\$ 9.58	\$ 31.43	Door Sweep	Aluminum / Neoprene
153BK	\$ 14.45	\$ 47.41	Door Sweep	Black Anodized / Neoprene
153D	\$ 14.45	\$ 47.41	Door Sweep	Dark Bronze Anodized / Neoprene
153G	\$ 14.45	\$ 47.41	Door Sweep	Gold Anodized / Neoprene
153N	\$ 4.75	\$ 15.58	Replacement Gasket	Thin Neoprene - Five Finger Extrusion
154A	\$ 10.95	\$ 35.90	Door Sweep	Aluminum Angle Track / Pile
154BK	\$ 14.72	\$ 48.29	Door Sweep	Black Anodized Angle Track / Pile
154D	\$ 14.72	\$ 48.29	Door Sweep	Dark Bronze Anodized Angle Track / Pile
154G	\$ 14.72	\$ 48.29	Door Sweep	Gold Anodized Angle Track / Pile
155AA	\$ 21.88	\$ 71.80	Meeting Stile	Clear Anodized / Pile Brush Surface Mounted, Adjustable Astragal
155G	\$ 32.09	\$ 105.30	Meeting Stile	Black Anodized / Pile Brush Surface Mounted, Adjustable Astragal
155D	\$ 32.09	\$ 105.30	Meeting Stile	Dark Bronze Anodized / Pile Brush Surface Mounted, Adjustable Astragal
155BK	\$ 32.09	\$ 105.30	Meeting Stile	Gold Anodized / Pile Brush Surface Mounted, Adjustable Astragal
156AA	\$ 20.84	\$ 68.37	Meeting Stile	Clear Anodized / Pile Brush, Mortised, Adjustable
156D	\$ 30.56	\$ 100.29	Meeting Stile	Dark Bronze Anodized / Pile Brush Mortised, Adjustable Astragal
156G	\$ 30.56	\$ 100.29	Meeting Stile	Gold Anodized / Pile Brush Mortised, Adjustable Astragal
159FS-A	\$ 14.31	\$ 46.95	Meeting Stile	Aluminum Track Intumescent Fire Stop
164A	\$ 14.51	\$ 47.63	Threshold	Aluminum / Smooth Top 4" (101.6) x 1/2" (12.7)
164BK	\$ 19.97	\$ 47.63	Threshold	Black Anodized / Smooth Top 4" (101.6) x 1/2" (12.7)
164D	\$ 19.97	\$ 47.63	Threshold	Dark Bronze Anodized / Smooth Top 4" (101.6) x 1/2" (12.7)
164G	\$ 19.97	\$ 47.63	Threshold	Gold Anodized / Smooth Top 4" (101.6) x 1/2" (12.7)
164B	\$ 55.11	\$ 180.84	Threshold	Bronze / Smooth Top 4" (101.6) x 1/2" (12.7)
168A**	\$ 10.39	\$ 34.10	Threshold	Aluminum Threshold Rest 3/4" (19.1)
168BK**	\$ 14.37	\$ 34.10	Threshold	Black Anodized Threshold Rest 3/4" (19.1)
168D**	\$ 14.37	\$ 34.10	Threshold	Dark Bronze Anod. Threshold Rest 3/4" (19.1)
168G**	\$ 14.37	\$ 34.10	Threshold	Gold Anodized Threshold Rest 3/4" (19.1)
168B**	\$ 34.44	\$ 113.00	Threshold	Bronze Threshold Rest 3/4" (19.1)
170AA*	\$ 22.21	\$ 72.86	Gasketing	Clear Anodized / Adjustable Sound Seal
170BK*	\$ 29.38	\$ 96.39	Gasketing	Black Anodized / Adjustable Sound Seal
170D*	\$ 29.38	\$ 96.39	Gasketing	Dark Bronze Anodized / Adjustable Sound Seal
170G*	\$ 29.38	\$ 96.39	Gasketing	Gold Anodized / Adjustable Sound Seal
175A	\$ 16.56	\$ 54.34	Threshold	Aluminum / Water Return option 5" (127.0)
175BK	\$ 22.86	\$ 54.34	Threshold	Black Anod. / Water Return option 5" (127.0)
175D	\$ 22.86	\$ 54.34	Threshold	Dark Bronze Anod. / Water Return option 5" (127.0)
175G	\$ 22.86	\$ 54.34	Threshold	Gold Anod. / Water Return option 5" (127.0)
175B	\$ 102.43	\$ 336.11	Threshold	Bronze / Water Return option 5" (127.0)
188BIO	\$ 1.98	\$ 6.50	Weather Stripping	Antibacterial Rubber / Brown / PSA
188FS	\$ 3.33	\$ 10.92	Weather Stripping	Intumescent / Silicone / PSA
188S-BK	\$ 1.80	\$ 5.92	Weather Stripping	Silicone / Black / PSA
188S-BR	\$ 1.80	\$ 5.92	Weather Stripping	Silicone / Brown / PSA
188S-CL	\$ 1.80	\$ 5.92	Weather Stripping	Silicone / Clear / PSA
188S-GY	\$ 1.80	\$ 5.92	Weather Stripping	Silicone / Grey / PSA
188S-WH	\$ 1.80	\$ 5.92	Weather Stripping	Silicone / White / PSA
221-226	See back cover		Fasteners	Optional Threshold Anchors. See back cover for more information.
232A**	\$ 26.16	\$ 85.83	Threshold	Aluminum Ramp 6" (152.4) 1/2" (12.7) to 1" (25.4) Ramp
232BK**	\$ 34.57	\$ 39.10	Threshold	Black Anodized Ramp 6" (152.4) 1/2" (12.7) to 1" (25.4) Ramp

PART NUMBER	LIST PRICE PER FOOT	LIST PRICE PER METER	TYPE	DESCRIPTION
232D**	\$ 34.57	\$ 39.10	Threshold	Dark Bronze Anodized Ramp 6" (152.4) 1/2" (12.7) to 1" (25.4) Ramp
232G**	\$ 34.57	\$ 39.10	Threshold	Gold Anodized Ramp 6" (152.4) 1/2" (12.7) to 1" (25.4) Ramp
233A**	\$ 11.92	\$ 39.10	Threshold	Aluminum Ramp 3" (76.2)
233BK**	\$ 34.57	\$ 39.10	Threshold	Black Anodized Ramp 3" (76.2)
233D**	\$ 34.57	\$ 39.10	Threshold	Dark Bronze Anodized Ramp 3" (76.2)
233G**	\$ 34.57	\$ 39.10	Threshold	Gold Anodized Ramp 3" (76.2)
234A**	\$ 11.92	\$ 39.10	Threshold	Aluminum Ramp 3" (76.2) 1/4" (6.4) to 1/2" (12.7) Ramp
234BK**	\$ 34.57	\$ 39.10	Threshold	Black Anodized Ramp 3" (76.2), 0 to 1/4" (6.4) Ramp
234D**	\$ 34.57	\$ 39.10	Threshold	Dark Bronze Anodized Ramp 3" (76.2) 0 to 1/4" (6.4) to 1/2" (12.7) Ramp
234G**	\$ 34.57	\$ 39.10	Threshold	Gold Anodized Ramp 3" (76.2), 0 to 1/4" (6.4) Ramp
235A**	\$ 11.92	\$ 39.10	Threshold	Aluminum Ramp 3" (76.2), 0 to 1/4" (6.4) Ramp
235BK**	\$ 34.57	\$ 39.10	Threshold	Black Anodized Ramp 3" (76.2), 0 to 1/4" (6.4) Ramp
235D**	\$ 34.57	\$ 39.10	Threshold	Dark Bronze Anodized Ramp 3" (76.2) 0 to 1/4" (6.4) to 1/2" (12.7) Ramp
235G**	\$ 34.57	\$ 39.10	Threshold	Gold Anodized Ramp 3" (76.2), 0 to 1/4" (6.4) Ramp
236A**	\$ 15.78	\$ 51.81	Threshold	Aluminum Ramp 6" (152.4)
236BK**	\$ 22.08	\$ 51.81	Threshold	Black Anodized Ramp 6" (152.4)
236D**	\$ 22.08	\$ 51.81	Threshold	Dark Bronze Anodized Ramp 6" (152.4)
236G**	\$ 22.08	\$ 51.81	Threshold	Gold Anodized Ramp 6" (152.4)
237A**	\$ 17.34	\$ 56.89	Threshold	Aluminum Ramp 3 1/2" (88.9), 1/4" to 1/2"
237BK**	\$ 23.64	\$ 56.89	Threshold	Black Anod. Ramp 3 1/2" (88.9), 1/4" to 1/2"
237D**	\$ 23.64	\$ 56.89	Threshold	Dark Bronze Anodized Ramp 3 1/2" (88.9), 1/4" to 1/2"
237G**	\$ 23.64	\$ 56.89	Threshold	Gold Anod. Ramp 3 1/2" (88.9), 1/4" to 1/2"
238A**	\$ 17.34	\$ 56.89	Threshold	Aluminum Ramp 3 1/2" (88.9), 1/4" to 3/4"
253A	\$ 5.71	\$ 18.74	Door Sweep	Aluminum / Neoprene Insert / Mortised
253FS-A	\$ 16.87	\$ 55.34	Door Sweep	Aluminum / Intumescent Fire Stop / Mortised
254A	\$ 6.15	\$ 20.18	Door Sweep	Aluminum Track / Pile Insert / Mortised
254P-GY	\$ 4.89	\$ 16.07	Replacement Gasket	.875" wide Poly Pile
255AA	\$ 20.46	\$ 67.13	Door Sweep	Clear Anodized / Adjustable Surface Sweep with Spring / Pile Insert
255BK	\$ 29.55	\$ 96.98	Door Sweep	Black Anodized / Adjustable Surface Sweep with Spring / Pile Insert
255D	\$ 29.55	\$ 96.98	Door Sweep	Dark Bronze Anodized / Adjustable Surface Sweep with Spring / Pile Insert
255G	\$ 29.55	\$ 96.98	Door Sweep	Gold Anodized / Adjustable Surface Sweep with Spring / Pile Insert
259R**	\$ 28.76	\$ 94.37	Threshold	Rubber ramp 6" (152.4) x 1/2" (12.7)
265A	\$ 16.40	\$ 53.81	Threshold	Aluminum 5" (127.0) / Neoprene Stop
265BK	\$ 22.60	\$ 53.81	Threshold	Black Anodized 5" (127.0) / Neoprene Stop
265D	\$ 22.60	\$ 53.81	Threshold	Dark Bronze Anod. 5" (127.0) / Neoprene Stop
265G	\$ 22.60	\$ 53.81	Threshold	Gold Anodized 5" (127.0) / Neoprene Stop
267A	\$ 13.24	\$ 43.45	Threshold	Aluminum 2.155" (54.7) / Neoprene Stop
267BK	\$ 18.49	\$ 43.45	Threshold	Black Anod. 2.155" (54.7) / Neoprene Stop
267D	\$ 18.49	\$ 43.45	Threshold	Dark Bronze Anod. 2.155" (54.7) / Neoprene Stop
267G	\$ 18.49	\$ 43.45	Threshold	Gold Anod. 2.155" (54.7) / Neoprene Stop
268A**	\$ 5.41	\$ 17.73	Threshold	Aluminum Threshold Rest 3/8" (9.5)
268BK**	\$ 7.51	\$ 17.73	Threshold	Black Anodized Threshold Rest 3/8" (9.5)
268D**	\$ 7.51	\$ 17.73	Threshold	Dark Bronze Anod. Threshold Rest 3/8" (9.5)
268G**	\$ 7.51	\$ 17.73	Threshold	Gold Anodized Threshold Rest 3/8" (9.5)
268B**	\$ 26.89	\$ 88.21	Threshold	Bronze Threshold Rest 3/8" (9.5)
269A**	\$ 6.61	\$ 21.70	Threshold	1/2" Aluminum Assembly Connector
269BK**	\$ 9.24	\$ 21.70	Threshold	1/2" Black Anodized Assembly Connector
269D**	\$ 9.24	\$ 21.70	Threshold	1/2" Dark Bronze Anod. Assembly Connector
269G**	\$ 9.24	\$ 21.70	Threshold	1/2" Gold Anodized Assembly Connector
270A	\$ 9.62	\$ 31.55	Gasketing	Aluminum Door Stop / Neoprene
270BK	\$ 13.29	\$ 31.55	Gasketing	Black Anodized Door Stop / Neoprene

\*Comes standard with mitered corners when ordered a set. If ordering mitered corners as a sitck, please specify handing. If non-mitered corners is wanted, please specify and order as an individual stick length.  
\*\*Supplied without mounting holes.

PART NUMBER	LIST PRICE PER FOOT	LIST PRICE PER METER	TYPE	DESCRIPTION
270D	\$ 13.29	\$ 31.55	Gasketing	Dark Bronze Anodized Door Stop / Neoprene
270G	\$ 13.29	\$ 31.55	Gasketing	Gold Anodized Door Stop / Neoprene
272A	\$ 9.62	\$ 31.55	Gasketing	Aluminum Door Stop / Neoprene
272BK	\$ 13.29	\$ 31.55	Gasketing	Black Anodized Door Stop / Neoprene
272D	\$ 13.29	\$ 31.55	Gasketing	Dark Bronze Anodized Door Stop / Neoprene
272G	\$ 13.29	\$ 31.55	Gasketing	Gold Anodized Door Stop / Neoprene
302FS-AA	\$ 8.90	\$ 29.22	Gasketing	Clear Anodized/ Neoprene/ Intumet Fire Stop
302FS-B	\$ 24.07	\$ 79.01	Gasketing	Bronze / Neoprene Intumescent Fire Stop
302FS-BK	\$ 11.75	\$ 38.53	Gasketing	Black Anodized / Neoprene / Intumet Fire Stop
302FS-D	\$ 11.75	\$ 38.53	Gasketing	Dark Bronze Anodized / Neoprene /
302FS-G	\$ 11.75	\$ 38.53	Gasketing	Gold Anod. / Neoprene Intumescent Fire Stop
304A	\$ 6.78	\$ 22.23	Threshold	Aluminum Butt Threshold 1 1/2" (38.1) wide
304BK	\$ 9.40	\$ 22.23	Threshold	Black Anod. Butt Threshold 1 1/2" (38.1) wide
304D	\$ 9.40	\$ 22.23	Threshold	Dark Bronze Anod. Butt Threshold 1 1/2" (38.1) wide
304G	\$ 9.40	\$ 22.23	Threshold	Gold Anod. Butt Threshold 1 1/2" (38.1) wide
312A	\$ 5.20	\$ 17.04	Gasketing	Aluminum / Neoprene
312BK	\$ 7.30	\$ 17.04	Gasketing	Black Anodized/ Neoprene
312D	\$ 7.30	\$ 17.04	Gasketing	Dark Bronze Anodized/ Neoprene
312G	\$ 7.30	\$ 17.04	Gasketing	Gold Anodized/ Neoprene
312N	\$ 1.38	\$ 4.53	Replacement Gasket	Neoprene, 3/16"(4.7) x 1/2"(12.7)
312N-PSA	\$ 1.67	\$ 5.48	Gasketing	Neoprene with PSA 3/16"(4.7) x 1/2"(12.7)
314AA	\$ 8.24	\$ 27.06	Gasketing	Clear Anodized / Neoprene
314B	\$ 20.85	\$ 68.44	Gasketing	Bronze / Neoprene
314BK	\$ 9.46	\$ 31.01	Gasketing	Black Anodized / Neoprene
314D	\$ 9.46	\$ 31.01	Gasketing	Dark Bronze Anodized / Neoprene
314G	\$ 9.46	\$ 31.01	Gasketing	Gold Anodized / Neoprene
314N	\$ 2.18	\$ 7.17	Replacement Gasket	.75"X.125" Closed Cell Sponge Neoprene - Rectangular Extrusion
314N-PSA	\$ 3.62	\$ 11.90	Replacement Gasket	.75"X.125" Closed Cell Sponge Neoprene - Rectangular Extrusion W/PSA
318AA	\$ 9.70	\$ 31.81	Gasketing	Clear Anodized / Neoprene
318BK	\$ 10.79	\$ 35.42	Gasketing	Black Anodized / Neoprene
318D	\$ 10.79	\$ 35.42	Gasketing	Dark Bronze Anodized / Neoprene
318G	\$ 10.79	\$ 35.42	Gasketing	Gold Anodized / Neoprene
318N	\$ 3.08	\$ 10.11	Gasketing	Closed Cell Sponge Neoprene Black 3/8"(9.5) x 3/4"(19.1)
318N-PSA	\$ 5.19	\$ 17.03	Replacement Gasket	Closed Cell Sponge Neoprene Black 3/8"(9.5) x 3/4"(19.1) with PSA
319N	\$ 0.28	\$ 0.93	Replacement Gasket	Noise Block Rubber
320AA	\$ 56.42	each		10"-18" (305-457) Aluminum / Lite Duty Mortised Automatic Door Bottom
	\$ 47.01	each		18 1/8"-36" (460-914)
	\$ 50.10	each		36 1/8"-48" (917-1219)
	\$ 62.63	each		48 1/8"-54" (1222-1371)
	\$ 77.67	each		54 1/8"-60" (1375-1524)
320N	\$ 3.86	\$ 12.68	Replacement Gasket	.406" Wide Split Bulb Seal - Neoprene
321AA	\$ 62.39	each		10"-18" (305-457) Clear Anodized / Lite Duty Mortised Automatic Door Bottom
	\$ 53.11	each		18 1/8"-36" (460-914)
	\$ 68.38	each		36 1/8"-48" (917-1219)
	\$ 85.60	each		48 1/8"-54" (1222-1371)
	\$ 106.98	each		54 1/8"-60" (1375-1524)
321BK	\$ 76.40	each		10"-18" (305-457) Black Anodized / Lite Duty Mortised Automatic Door Bottom
	\$ 63.67	each		18 1/8"-36" (460-914)
	\$ 88.05	each		36 1/8"-48" (917-1219)
	\$ 110.03	each		48 1/8"-54" (1222-1371)
	\$ 137.53	each		54 1/8"-60" (1375-1524)
321D	\$ 76.40	each		10"-18" (305-457) Dark Bronze Anodized / Lite Duty Mortised Automatic Door Bottom
	\$ 63.67	each		18 1/8"-36" (460-914)
	\$ 88.05	each		36 1/8"-48" (917-1219)
	\$ 110.03	each		48 1/8"-54" (1222-1371)
	\$ 137.53	each		54 1/8"-60" (1375-1524)

PART NUMBER	LIST PRICE PER FOOT	LIST PRICE PER METER	TYPE	DESCRIPTION
321G	\$ 76.40	each		10"-18" (305-457) Gold Anodized / Lite Duty Mortised Automatic Door Bottom
	\$ 63.67	each		18 1/8"-36" (460-914)
	\$ 88.05	each		36 1/8"-48" (917-1219)
	\$ 110.03	each		48 1/8"-54" (1222-1371)
	\$ 137.53	each		54 1/8"-60" (1375-1524)
322A	\$ 9.70	\$ 31.81	Gasketing	Aluminum with neoprene
322BK	\$ 13.59	\$ 31.81	Gasketing	Black Anodizing with neoprene
322D	\$ 13.59	\$ 31.81	Gasketing	Dark Bronze Anodizing with neoprene
322G	\$ 13.59	\$ 31.81	Gasketing	Gold Anodizing with neoprene
323AA	\$ 55.05	each		12"-18" (305-457) Handed / Mortised, Automatic Door Bottom
	\$ 45.88	each		18 1/8"-36" (460-914)
	\$ 48.89	each		36 1/8"-48" (917-1219)
	\$ 61.10	each		48 1/8"-54" (1222-1371)
	\$ 76.35	each		54 1/8"-60" (1375-1524)
326AA	\$ 8.89	\$ 29.17	Gasketing	Clear Anodized / Neoprene
326B	\$ 22.71	\$ 74.52	Gasketing	Bronze / Neoprene
326BK	\$ 11.98	\$ 39.30	Gasketing	Black Anodized / Neoprene
326D	\$ 11.98	\$ 39.30	Gasketing	Dark Bronze Anodized / Neoprene
326G	\$ 11.98	\$ 39.30	Gasketing	Gold Anodized/ Neoprene
326N	\$ 4.70	\$ 15.45	Replacement Gasket	1.006" Wide Dual Bulb and Lip Seal - Neoprene
328AA	\$ 8.60	\$ 28.24	Gasketing	Clear Anodized/ Neoprene
328B	\$ 20.85	\$ 68.44	Gasketing	Bronze / Neoprene
328BK	\$ 11.61	\$ 38.13	Gasketing	Black Anodized / Neoprene
328D	\$ 11.61	\$ 38.13	Gasketing	Dark Bronze Anodized / Neoprene
328G	\$ 11.61	\$ 38.13	Gasketing	Gold Anodized / Neoprene
328FS-AA	\$ 12.69	\$ 41.63	Gasketing	Clear Anodized / Neoprene Intumescent Fire Stop
328FS-BK	\$ 16.81	\$ 55.16	Gasketing	Black Anodized / Neoprene Intumescent Fire Stop
328FS-D	\$ 16.81	\$ 55.16	Gasketing	Dark Bronze Anodized / Neoprene Intumescent Fire Stop
328FS-G	\$ 16.81	\$ 55.16	Gasketing	Gold Anodized / Neoprene Intumescent Fire Stop
328N	\$ 4.10	\$ 13.45	Replacement Gasket	7/8" Wide Neoprene Insert
328SPB	\$ 28.95	each	General	Steel Prime Closer/Coordinator Plate Bracket
329AA	\$ 6.94	\$ 22.77	Gasketing	Clear Anodized w/ Beveled Neoprene
329B	\$ 19.22	\$ 63.06	Gasketing	Bronze with Beveled Neoprene
329BK	\$ 10.72	\$ 35.16	Gasketing	Black Anodized / Beveled Neoprene
329D	\$ 10.72	\$ 35.16	Gasketing	Dark Bronze Anodized / Beveled Neoprene
329G	\$ 10.72	\$ 35.16	Gasketing	Gold Anodized / Beveled Neoprene
339AA	\$ 7.66	\$ 25.14	Gasketing	Clear Anodized / Neoprene
339B	\$ 20.85	\$ 68.44	Gasketing	Bronze / Neoprene
339BK	\$ 11.76	\$ 38.56	Gasketing	Black Anodized / Neoprene
339D	\$ 11.76	\$ 38.56	Gasketing	Dark Bronze Anodized / Neoprene
339G	\$ 11.76	\$ 38.56	Gasketing	Gold Anodized / Neoprene
339FS-AA	\$ 12.69	\$ 41.63	Door Sweep	Clear Anodized / Neoprene / Intumet
339FS-BK	\$ 16.52	\$ 54.21	Door Sweep	Black Anodized / Neoprene / Intumet
339FS-D	\$ 16.52	\$ 54.21	Door Sweep	Dark Bronze Anod. / Neoprene / Intumet
339FS-G	\$ 16.52	\$ 54.21	Door Sweep	Gold Anodized / Neoprene / Intumet
339WAA	\$ 10.50	\$ 34.44	Gasketing	Clear Anodized / Neoprene
339WB	\$ 21.78	\$ 71.48	Gasketing	Bronze / Neoprene
339WBK	\$ 13.99	\$ 45.89	Gasketing	Black Anodized / Neoprene
339WD	\$ 13.99	\$ 45.89	Gasketing	Dark Bronze Anodized / Neoprene
339WG	\$ 13.99	\$ 45.89	Gasketing	Gold Anodized / Neoprene
350AA	\$ 73.25	each		10"-18" (305-457) Clear Anodized / Mortised Automatic Door Bottom
	\$ 55.38	each		18 1/8"-36" (460-914)
	\$ 59.00	each		36 1/8"-48" (917-1219)
	\$ 73.70	each		48 1/8"-54" (1222-1371)
	\$ 92.21	each		54 1/8"-60" (1375-1524)
350AA-LS	\$ 78.28	each		10"-18" (305-457) Clear Anodized / Mortised Automatic Door Bottom / Light Spring - Low Force
	\$ 62.58	each		18 1/8"-36" (460-914)
	\$ 66.32	each		36 1/8"-48" (917-1219)
351AA	\$ 83.75	each		10"-18" (305-457) Clear Anodized Automatic Door Bottom
	\$ 67.00	each		18 1/8"-36" (460-914)
	\$ 80.49	each		36 1/8"-48" (917-1219)
	\$ 100.66	each		48 1/8"-54" (1222-1371)
	\$ 125.84	each		54 1/8"-60" (1375-1524)

PART NUMBER	LIST PRICE PER FOOT	LIST PRICE PER METER	TYPE	DESCRIPTION
<b>351AA-LS</b>	\$ 72.56	each	18 1/8"-36" (460-914)	Clear Anodized Automatic Door Bottom / Light Spring - Low Force
	\$ 86.05	each	36 1/8"-48" (917-1219)	
	\$ 90.68	each	12"-18" (305-457)	
<b>351BK</b>	\$ 93.67	each	10"-18" (305-457)	Black Anodized Automatic Door Bottom
	\$ 74.91	each	18 1/8"-36" (460-914)	
	\$ 103.53	each	36 1/8"-48" (917-1219)	
	\$ 129.44	each	48 1/8"-54" (1222-1371)	
	\$ 161.81	each	54 1/8"-60" (1375-1524)	
<b>351BK-LS</b>	\$ 100.80	each	18 1/8"-36" (460-914)	Black Anodized Automatic Door Bottom / Light Spring - Low Force
	\$ 80.62	each	36 1/8"-48" (917-1219)	
	\$ 109.45	each	12"-18" (305-457)	
<b>351D</b>	\$ 93.67	each	10"-18" (305-457)	Dark Bronze Anodized Automatics Door Bottom
	\$ 74.91	each	18 1/8"-36" (460-914)	
	\$ 103.53	each	36 1/8"-48" (917-1219)	
	\$ 129.44	each	48 1/8"-54" (1222-1371)	
	\$ 161.81	each	54 1/8"-60" (1375-1524)	
<b>351D-LS</b>	\$ 100.80	each	10"-18" (305-457)	Dark Bronze Anodized Automatic Door Bottom - Light Spring - Low Force
	\$ 80.62	each	18 1/8"-36" (460-914)	
	\$ 109.45	each	36 1/8"-48" (917-1219)	
<b>351G</b>	\$ 93.67	each	10"-18" (305-457)	Gold Anodized Automatic Door Bottom
	\$ 74.91	each	18 1/8"-36" (460-914)	
	\$ 103.53	each	36 1/8"-48" (917-1219)	
	\$ 129.44	each	48 1/8"-54" (1222-1371)	
	\$ 161.81	each	54 1/8"-60" (1375-1524)	
<b>351G-LS</b>	\$ 100.80	each	18 1/8"-36" (460-914)	Gold Anodized Automatic Door Bottom / Light Spring - Low Force
	\$ 80.62	each	36 1/8"-48" (917-1219)	
	\$ 109.45	each	12"-18" (305-457)	
<b>351S-BK</b>	\$ 4.19	\$ 13.76	Replacement Gasket	433" Wide Silicone Extrusion
<b>352AA</b>	\$ 83.75	each	10"-18" (305-457)	Clear Anodized Automatic Door Bottom
	\$ 67.00	each	18 1/8"-36" (460-914)	
	\$ 80.49	each	36 1/8"-48" (917-1219)	
	\$ 100.66	each	48 1/8"-54" (1222-1371)	
	\$ 125.84	each	54 1/8"-60" (1375-1524)	
<b>352AA-LS</b>	\$ 72.56	each	10"-18" (305-457)	Clear Anodized Automatic Door Bottom / Light Spring - Low Force
	\$ 86.05	each	18 1/8"-36" (460-914)	
	\$ 90.68	each	36 1/8"-48" (917-1219)	
<b>352BK</b>	\$ 93.67	each	10"-18" (305-457)	Black Anodized Automatic Door Bottom
	\$ 74.91	each	18 1/8"-36" (460-914)	
	\$ 103.53	each	36 1/8"-48" (917-1219)	
	\$ 129.44	each	48 1/8"-54" (1222-1371)	
	\$ 161.81	each	54 1/8"-60" (1375-1524)	
<b>352BK-LS</b>	\$ 100.80	each	18 1/8"-36" (460-914)	Black Anodized Automatic Door Bottom / Light Spring - Low Force
	\$ 80.62	each	36 1/8"-48" (917-1219)	
	\$ 109.45	each	12"-18" (305-457)	
<b>352D</b>	\$ 93.67	each	10"-18" (305-457)	Dark Bronze Anodized Automatic Door Bottom
	\$ 74.91	each	18 1/8"-36" (460-914)	
	\$ 103.53	each	36 1/8"-48" (917-1219)	
	\$ 129.44	each	48 1/8"-54" (1222-1371)	
	\$ 161.81	each	54 1/8"-60" (1375-1524)	
<b>352D-LS</b>	\$ 100.80	each	10"-18" (305-457)	Dark Bronze Anodized Automatic Door Bottom - Light Spring - Low Force
	\$ 80.62	each	18 1/8"-36" (460-914)	
	\$ 109.45	each	36 1/8"-48" (917-1219)	
<b>352G</b>	\$ 93.67	each	10"-18" (305-457)	Gold Anodized Automatic Door Bottom
	\$ 74.91	each	18 1/8"-36" (460-914)	
	\$ 103.53	each	36 1/8"-48" (917-1219)	
	\$ 129.44	each	48 1/8"-54" (1222-1371)	
	\$ 161.81	each	54 1/8"-60" (1375-1524)	
<b>352G-LS</b>	\$ 100.80	each	18 1/8"-36" (460-914)	Gold Anodized Automatic Door Bottom / Light Spring - Low Force
	\$ 80.62	each	36 1/8"-48" (917-1219)	
	\$ 109.45	each	12"-18" (305-457)	
<b>355A</b>	\$ 55.52	each	18 1/8"-36" (460-914)	Aluminum / Mortised Automatic Door Bottom Regular Duty
	\$ 62.92	each	36 1/8"-48" (917-1219)	
	\$ 77.13	each	48 1/8"-54" (1222-1371)	
<b>360AA</b>	\$ 101.02	each	10"-18" (305-457)	Clear Anodized / Mortised Automatic Door Bottom Heavy Duty
	\$ 80.79	each	18 1/8"-36" (460-914)	
	\$ 91.67	each	36 1/8"-48" (917-1219)	
	\$ 114.65	each	48 1/8"-54" (1222-1371)	
	\$ 147.83	each	54 1/8"-60" (1375-1524)	

PART NUMBER	LIST PRICE PER FOOT	LIST PRICE PER METER	TYPE	DESCRIPTION
<b>361AA</b>	\$ 118.42	each	10"-18" (305-457)	Clear Anodized Automatic Door Bottom/Heavy Duty
	\$ 93.46	each	18 1/8"-36" (460-914)	
	\$ 103.62	each	36 1/8"-48" (917-1219)	
	\$ 129.54	each	48 1/8"-54" (1222-1371)	
	\$ 161.94	each	54 1/8"-60" (1375-1524)	
<b>361BK</b>	\$ 157.06	each	10"-18" (305-457)	Black Anodized Automatic Door Bottom/Heavy Duty
	\$ 125.63	each	18 1/8"-36" (460-914)	
	\$ 131.32	each	36 1/8"-48" (917-1219)	
	\$ 164.17	each	48 1/8"-54" (1222-1371)	
	\$ 205.21	each	54 1/8"-60" (1375-1524)	
<b>361D</b>	\$ 157.06	each	10"-18" (305-457)	Dark Bronze Anodized Automatic Door Bottom/Heavy Duty
	\$ 125.63	each	18 1/8"-36" (460-914)	
	\$ 131.32	each	36 1/8"-48" (917-1219)	
	\$ 164.17	each	48 1/8"-54" (1222-1371)	
	\$ 205.21	each	54 1/8"-60" (1375-1524)	
<b>361G</b>	\$ 157.06	each	10"-18" (305-457)	Gold Anodized Automatic Door Bottom/Heavy Duty
	\$ 125.63	each	18 1/8"-36" (460-914)	
	\$ 131.32	each	36 1/8"-48" (917-1219)	
	\$ 164.17	each	48 1/8"-54" (1222-1371)	
	\$ 205.21	each	54 1/8"-60" (1375-1524)	
<b>362AA</b>	\$ 118.42	each	10"-18" (305-457)	Clear Anodized Automatic Door Bottom/Heavy Duty
	\$ 93.46	each	18 1/8"-36" (460-914)	
	\$ 103.62	each	36 1/8"-48" (917-1219)	
	\$ 129.54	each	48 1/8"-54" (1222-1371)	
	\$ 161.94	each	54 1/8"-60" (1375-1524)	
<b>362BK</b>	\$ 157.06	each	10"-18" (305-457)	Black Anodized Automatic Door Bottom/Heavy Duty
	\$ 125.63	each	18 1/8"-36" (460-914)	
	\$ 131.32	each	36 1/8"-48" (917-1219)	
	\$ 164.17	each	48 1/8"-54" (1222-1371)	
	\$ 205.21	each	54 1/8"-60" (1375-1524)	
<b>362D</b>	\$ 157.06	each	10"-18" (305-457)	Dark Bronze Anodized Automatic Door Bottom/Heavy Duty
	\$ 125.63	each	18 1/8"-36" (460-914)	
	\$ 131.32	each	36 1/8"-48" (917-1219)	
	\$ 164.17	each	48 1/8"-54" (1222-1371)	
	\$ 205.21	each	54 1/8"-60" (1375-1524)	
<b>362G</b>	\$ 157.06	each	10"-18" (305-457)	Gold Anodized Automatic Door Bottom/Heavy Duty
	\$ 125.63	each	18 1/8"-36" (460-914)	
	\$ 131.32	each	36 1/8"-48" (917-1219)	
	\$ 164.17	each	48 1/8"-54" (1222-1371)	
	\$ 205.21	each	54 1/8"-60" (1375-1524)	
<b>363N</b>	\$ 4.99	\$ 16.38	Replacement Gasket	.656" Wide Sponge Neoprene
<b>364AA</b>	\$ 103.30	each	10"-18" (305-457)	Clear Anodized / Mortised Automatic Door Bottom/Heavy Duty
	\$ 82.59	each	18 1/8"-36" (460-914)	
	\$ 93.49	each	36 1/8"-48" (917-1219)	
	\$ 116.91	each	48 1/8"-54" (1222-1371)	
	\$ 146.13	each	54 1/8"-60" (1375-1524)	
<b>364FS-AA</b>	\$ 117.31	each	18 1/8"-36" (460-914)	Clear Anodized / Mortised Automatic Door Bottom/Heavy Duty/Intumescent
	\$ 138.62	each	36 1/8"-48" (917-1219)	
	\$ 204.54	each	48 1/8"-54" (1222-1371)	
	\$ 245.25	each	54 1/8"-60" (1375-1524)	
<b>364AA-LS</b>	\$ 117.58	each	10"-18" (305-457)	Clear Anodized/ Mortised Automatic Door Bottom/ Light Spring -Low Force
	\$ 94.03	each	18 1/8"-36" (460-914)	
	\$ 105.68	each	36 1/8"-48" (917-1219)	
<b>365AA</b>	\$ 121.49	each	10"-18" (305-457)	Clear Anodized/Automatic Door Bottom / Heavy Duty
	\$ 97.16	each	18 1/8"-36" (460-914)	
	\$ 112.88	each	36 1/8"-48" (917-1219)	
	\$ 141.11	each	48 1/8"-54" (1222-1371)	
	\$ 176.37	each	54 1/8"-60" (1375-1524)	
<b>365BK</b>	\$ 161.81	each	10"-18" (305-457)	Black Anodized/Automatic Door Bottom / Heavy Duty
	\$ 129.44	each	18 1/8"-36" (460-914)	
	\$ 131.32	each	36 1/8"-48" (917-1219)	
	\$ 164.17	each	48 1/8"-54" (1222-1371)	
	\$ 205.21	each	54 1/8"-60" (1375-1524)	
<b>365D</b>	\$ 161.81	each	10"-18" (305-457)	Dark Bronze Anodized/Automatic Door Bottom / Heavy Duty
	\$ 129.44	each	18 1/8"-36" (460-914)	
	\$ 131.32	each	36 1/8"-48" (917-1219)	
	\$ 164.17	each	48 1/8"-54" (1222-1371)	
	\$ 205.21	each	54 1/8"-60" (1375-1524)	
<b>365EMI</b>	\$ 241.70	each	18 1/8"-36" (460-914)	Irridated Finish/Automatic Door Bottom/ Heavy Duty/ For EMI-RFI
	\$ 305.07	each	36 1/8"-48" (917-1219)	
	\$ 368.45	each	48 1/8"-54" (1222-1371)	

PART NUMBER	LIST PRICE PER FOOT	LIST PRICE PER METER	TYPE	DESCRIPTION
<b>365G</b>	\$ 161.81	each	10"-18" (305-457)	Gold Anodized/Automatic Door Bottom / Heavy Duty
	\$ 129.44	each	18 1/8"-36" (460-914)	
	\$ 131.32	each	36 1/8"-48" (917-1219)	
	\$ 164.17	each	48 1/8"-54" (1222-1371)	
	\$ 205.21	each	54 1/8"-60" (1375-1524)	
<b>365FS-AA</b>	\$ 130.86	each	18 1/8"-36" (460-914)	Clear Anodized/Automatic Door Bottom/Heavy Duty/Intumescent
	\$ 157.03	each	36 1/8"-48" (917-1219)	
	\$ 233.23	each	48 1/8"-54" (1222-1371)	
	\$ 279.85	each	54 1/8"-60" (1375-1524)	
<b>365FS-BK</b>	\$ 165.32	each	18 1/8"-36" (460-914)	Black Anodized/Automatic Door Bottom/Heavy Duty/Intumescent
	\$ 177.25	each	36 1/8"-48" (917-1219)	
	\$ 264.48	each	48 1/8"-54" (1222-1371)	
	\$ 317.36	each	54 1/8"-60" (1375-1524)	
<b>365FS-D</b>	\$ 165.32	each	18 1/8"-36" (460-914)	Dark Bronze Anodized/Automatic Door Bottom/Heavy Duty/Intumescent
	\$ 177.25	each	36 1/8"-48" (917-1219)	
	\$ 264.48	each	48 1/8"-54" (1222-1371)	
	\$ 317.36	each	54 1/8"-60" (1375-1524)	
<b>365FS-G</b>	\$ 165.32	each	18 1/8"-36" (460-914)	Gold Anodized/Automatic Door Bottom/Heavy Duty/Intumescent
	\$ 177.25	each	36 1/8"-48" (917-1219)	
	\$ 264.48	each	48 1/8"-54" (1222-1371)	
	\$ 317.36	each	54 1/8"-60" (1375-1524)	
<b>365AA-LS</b>	\$ 128.34	each	10"-18" (305-457)	Clear Anodized/Automatic Door Bottom/Light Spring-Low Force
	\$ 102.70	each	18 1/8"-36" (460-914)	
	\$ 118.44	each	36 1/8"-48" (917-1219)	
<b>365BK-LS</b>	\$ 168.93	each	10"-18" (305-457)	Black Anodized/Automatic Door Bottom/Light Spring-Low Force
	\$ 135.15	each	18 1/8"-36" (460-914)	
	\$ 137.07	each	36 1/8"-48" (917-1219)	
<b>365D-LS</b>	\$ 168.93	each	10"-18" (305-457)	Dark Bronze Anodized/Automatic Door Bottom/Light Spring-Low Force
	\$ 135.15	each	18 1/8"-36" (460-914)	
	\$ 137.07	each	36 1/8"-48" (917-1219)	
<b>365N</b>	\$ 5.43	\$ 17.82	Replacement Gasket	.735" Wide Bulb Seal - Neoprene
<b>365G-LS</b>	\$ 168.93	each	10"-18" (305-457)	Gold Anodized/Automatic Door Bottom/Light Spring-Low Force
	\$ 135.15	each	18 1/8"-36" (460-914)	
	\$ 137.07	each	36 1/8"-48" (917-1219)	
<b>365Y</b>	\$ 1.04	\$ 3.41	Replacement Gasket	Anti-Squeak Rubber for ABD
<b>366AA</b>	\$ 121.49	each	10"-18" (305-457)	Clear Anodized/Automatic Door Bottom / Heavy Duty
	\$ 97.16	each	18 1/8"-36" (460-914)	
	\$ 112.88	each	36 1/8"-48" (917-1219)	
	\$ 141.11	each	48 1/8"-54" (1222-1371)	
	\$ 176.37	each	54 1/8"-60" (1375-1524)	
<b>366BK</b>	\$ 161.81	each	10"-18" (305-457)	Black Anodized/Automatic Door Bottom / Heavy Duty
	\$ 129.44	each	18 1/8"-36" (460-914)	
	\$ 131.32	each	36 1/8"-48" (917-1219)	
	\$ 164.17	each	48 1/8"-54" (1222-1371)	
	\$ 205.21	each	54 1/8"-60" (1375-1524)	
<b>366D</b>	\$ 161.81	each	10"-18" (305-457)	Dark Bronze Anodized/Automatic Door Bottom / Heavy Duty
	\$ 129.44	each	18 1/8"-36" (460-914)	
	\$ 131.32	each	36 1/8"-48" (917-1219)	
	\$ 164.17	each	48 1/8"-54" (1222-1371)	
	\$ 205.21	each	54 1/8"-60" (1375-1524)	
<b>366G</b>	\$ 161.81	each	10"-18" (305-457)	Gold Anodized/Automatic Door Bottom / Heavy Duty
	\$ 129.44	each	18 1/8"-36" (460-914)	
	\$ 131.32	each	36 1/8"-48" (917-1219)	
	\$ 164.17	each	48 1/8"-54" (1222-1371)	
	\$ 205.21	each	54 1/8"-60" (1375-1524)	
<b>366FS-AA</b>	\$ 130.86	each	18 1/8"-36" (460-914)	Anodized/Automatic Door Bottom/Heavy Duty/Intumescent
	\$ 157.03	each	36 1/8"-48" (917-1219)	
	\$ 233.23	each	48 1/8"-54" (1222-1371)	
	\$ 279.85	each	54 1/8"-60" (1375-1524)	
<b>366FS-BK</b>	\$ 165.32	each	18 1/8"-36" (460-914)	Black Anodized/Automatic Door Bottom/Heavy Duty/Intumescent
	\$ 177.25	each	36 1/8"-48" (917-1219)	
	\$ 264.48	each	48 1/8"-54" (1222-1371)	
	\$ 317.36	each	54 1/8"-60" (1375-1524)	
<b>366FS-D</b>	\$ 165.32	each	18 1/8"-36" (460-914)	Dark Bronze Anodized/Automatic Door Bottom/Heavy Duty/Intumescent
	\$ 177.25	each	36 1/8"-48" (917-1219)	
	\$ 264.48	each	48 1/8"-54" (1222-1371)	
	\$ 317.36	each	54 1/8"-60" (1375-1524)	
<b>366FS-G</b>	\$ 165.32	each	18 1/8"-36" (460-914)	Gold Anodized/Automatic Door Bottom/Heavy Duty/Intumescent
	\$ 177.25	each	36 1/8"-48" (917-1219)	
	\$ 264.48	each	48 1/8"-54" (1222-1371)	
	\$ 317.36	each	54 1/8"-60" (1375-1524)	

PART NUMBER	LIST PRICE PER FOOT	LIST PRICE PER METER	TYPE	DESCRIPTION
<b>366AA-LS</b>	\$ 128.34	each	10"-18" (305-457)	Clear Anodized/Automatic Door Bottom/Light Spring-Low Force
	\$ 102.70	each	18 1/8"-36" (460-914)	
	\$ 118.44	each	36 1/8"-48" (917-1219)	
<b>366BK-LS</b>	\$ 168.93	each	10"-18" (305-457)	Black Anodized/Automatic Door Bottom/Light Spring-Low Force
	\$ 135.15	each	18 1/8"-36" (460-914)	
	\$ 137.07	each	36 1/8"-48" (917-1219)	
<b>366D-LS</b>	\$ 168.93	each	10"-18" (305-457)	Dark Bronze Anodized/Automatic Door Bottom/Light Spring-Low Force
	\$ 135.15	each	18 1/8"-36" (460-914)	
	\$ 137.07	each	36 1/8"-48" (917-1219)	
<b>366G-LS</b>	\$ 168.93	each	10"-18" (305-457)	Gold Anodized/Automatic Door Bottom/Light Spring-Low Force
	\$ 135.15	each	18 1/8"-36" (460-914)	
	\$ 137.07	each	36 1/8"-48" (917-1219)	
<b>367AA</b>	\$ 158.80	each	10"-18" (305-457)	Clear Anodized/Automatic Door Bottom/Heavy Duty/Acoustic Sound Reduction
	\$ 122.14	each	18 1/8"-36" (460-914)	
	\$ 140.45	each	36 1/8"-48" (917-1219)	
<b>367BK</b>	\$ 182.12	each	10"-18" (305-457)	Black Anodized/Automatic Door Bottom/Heavy Duty/Acoustic Sound Reduction
	\$ 144.47	each	18 1/8"-36" (460-914)	
	\$ 166.18	each	36 1/8"-48" (917-1219)	
<b>367D</b>	\$ 182.12	each	10"-18" (305-457)	Dark Bronze Anodized/Automatic Door Bottom/Heavy Duty/Acoustic Sound Reduction
	\$ 144.47	each	18 1/8"-36" (460-914)	
	\$ 166.18	each	36 1/8"-48" (917-1219)	
<b>367G</b>	\$ 182.12	each	10"-18" (305-457)	Gold Anodized/Automatic Door Bottom/Heavy Duty/Acoustic Sound Reduction
	\$ 144.47	each	18 1/8"-36" (460-914)	
	\$ 166.18	each	36 1/8"-48" (917-1219)	
<b>367N</b>	\$ 4.27	\$ 14.03	Replacement Gasket	Double Wrap ADB Seal - Neoprene
<b>368AA</b>	\$ 158.80	each	10"-18" (305-457)	Clear Anodized/Automatic Door Bottom/Heavy Duty/Acoustic Sound Reduction
	\$ 122.14	each	18 1/8"-36" (460-914)	
	\$ 140.45	each	36 1/8"-48" (917-1219)	
<b>368BK</b>	\$ 182.12	each	10"-18" (305-457)	Black Anodized/Automatic Door Bottom/Heavy Duty/Acoustic Sound Reduction
	\$ 144.47	each	18 1/8"-36" (460-914)	
	\$ 166.18	each	36 1/8"-48" (917-1219)	
<b>368D</b>	\$ 182.12	each	10"-18" (305-457)	Dark Bronze Anodized/Automatic Door Bottom/Heavy Duty/Acoustic Sound Reduction
	\$ 144.47	each	18 1/8"-36" (460-914)	
	\$ 166.18	each	36 1/8"-48" (917-1219)	
<b>368G</b>	\$ 182.12	each	10"-18" (305-457)	Gold Anodized/Automatic Door Bottom/Heavy Duty/Acoustic Sound Reduction
	\$ 144.47	each	18 1/8"-36" (460-914)	
	\$ 166.18	each	36 1/8"-48" (917-1219)	
<b>369AA</b>	\$ 139.29	each	10"-18" (305-457)	Clear Anodized/Mortised Automatic Door Bottom/Heavy Duty/Acoustic Sound Reduction
	\$ 104.74	each	18 1/8"-36" (460-914)	
	\$ 120.43	each	36 1/8"-48" (917-1219)	
<b>370A</b>	\$ 16.21	\$ 53.18	Gasketing	Aluminum / Magnetic Seal
<b>370D</b>	\$ 24.90	\$ 81.70	Gasketing	Dark Bronze Anodized / Magnetic Seal
<b>375AA</b>	\$ 17.66	\$ 57.93	Gasketing	Clear Anodized / Magnetic/ Snap-On Cover
<b>375D</b>	\$ 23.61	\$ 77.47	Gasketing	Dk Bronze Anod. / Magnetic/ Snap-On Cover
<b>376AA</b>	\$ 11.87	\$ 38.92	Gasketing	Clear Anodized / Neoprene / Snap-On Cover
<b>376BK</b>	\$ 15.85	\$ 51.99	Gasketing	Black Anodized / Neoprene/Snap-On Cover
<b>376D</b>	\$ 15.85	\$ 51.99	Gasketing	Dk Bronze Anod./ Neoprene/Snap-On Cover
<b>376G</b>	\$ 15.85	\$ 51.99	Gasketing	Gold Anodized / Neoprene/Snap-On Cover
<b>381A</b>	\$ 7.88	\$ 25.87	Gasketing	Aluminum / Double Neoprene Lip
<b>383AA</b>	\$ 10.71	\$ 35.12	Meeting Stiles	Clear Anodized / Double Neoprene
<b>383BK</b>	\$ 12.21	\$ 40.04	Meeting Stiles	Black Anodized / Double Neoprene
<b>383D</b>	\$ 12.21	\$ 40.04	Meeting Stiles	Dark Bronze Anodized / Double Neoprene
<b>383G</b>	\$ 12.21	\$ 40.04	Meeting Stiles	Gold Anodized / Double Neoprene
<b>383FS-AA</b>	\$ 15.84	\$ 51.98	Meeting Stiles	Clear Anodized / Neoprene / Intumescent
<b>383FS-BK</b>	\$ 21.45	\$ 70.38	Meeting Stiles	Black Anodized / Neoprene/ Intumescent
<b>383FS-D</b>	\$ 21.45	\$ 70.38	Meeting Stiles	Dark Brown Anod./ Neoprene/ Intumescent
<b>383FS-G</b>	\$ 21.45	\$ 70.38	Meeting Stiles	Gold Anodized / Neoprene/ Intumescent
<b>383N</b>	\$ 2.36	\$ 7.76	Replacement Gasket	.687" Tall Tapered Lip Seal - Neoprene
<b>398V</b>	\$ 6.63	\$ 21.77	Meeting Stiles	Solid PVC Brown / Pile with Fin Seal / PSA
<b>399V</b>	\$ 6.63	\$ 21.77	Meeting Stiles	Solid PVC Brown / Silicone lips/ PSA
<b>400B</b>	\$ 11.19	\$ 36.73	Weather Stripping	Bronze Side Jamb without Return Flange 1 3/4" (44.5)
	\$ 3.01	\$ 9.87	Weather Stripping	Zinc Side Jamb without Return Flange 1 3/4" (44.5)
<b>429AA</b>	\$ 10.43	\$ 34.24	Gasketing	Clear Anodized with Silicone Gasket for use with Coordinator or Closer Bracket
<b>429BK</b>	\$ 14.64	\$ 34.24	Gasketing	Black Anodized with Silicone Gasket for use with Coordinator or Closer Bracket

PART NUMBER	LIST PRICE PER FOOT	LIST PRICE PER METER	TYPE	DESCRIPTION
429D	\$ 14.64	\$ 34.24	Gasketing	Dark Bronze Anodized with Silicone Gasket for use with Coordinator or Closer Bracket
429G	\$ 14.64	\$ 34.24	Gasketing	Gold Anodized with Silicone Gasket for use with Coordinator or Closer Bracket
452A	\$ 10.50	\$ 34.44	Door Sweep	Aluminum Track / Neoprene
469A**	\$ 5.27	\$ 17.28	Threshold	3/8" Aluminum Assembly Connector
469BK**	\$ 7.36	\$ 17.28	Threshold	3/8" Black Anod. Assembly Connector
469D**	\$ 7.36	\$ 17.28	Threshold	3/8" Dark Bronze Anod. Assembly Connector
469G**	\$ 7.36	\$ 17.28	Threshold	3/8" Gold Anod. Assembly Connector
470AA	\$ 16.28	\$ 53.40	Gasketing	Clear Anodized Security Seal / Neoprene
470BK	\$ 21.36	\$ 70.06	Gasketing	Black Anodized Security Seal / Neoprene
470D	\$ 21.36	\$ 70.06	Gasketing	Dark Bronze Anod. Security Seal / Neoprene
470G	\$ 21.36	\$ 70.06	Gasketing	Gold Anodized Security Seal / Neoprene
472AA	\$ 20.14	\$ 66.08	Gasketing	Clear Anodized Security Seal / Neoprene
472BK	\$ 27.49	\$ 66.08	Gasketing	Black Anodized Security Seal / Neoprene
472D	\$ 27.49	\$ 66.08	Gasketing	Dark Bronze Anodized Security Seal / Neoprene
472G	\$ 27.49	\$ 66.08	Gasketing	Gold Anodized Security Seal / Neoprene
475AA	\$ 8.53	\$ 27.99	Gasketing	Clear Anodized / Snap-On Cover / Neoprene Seal
475BK	\$ 12.51	\$ 41.05	Gasketing	Black Anodized / Snap-On Cover / Neoprene Seal
475D	\$ 12.51	\$ 41.05	Gasketing	Dark Bronze Anodized / Snap-On Cover / Neoprene Seal
475G	\$ 12.51	\$ 41.05	Gasketing	Gold Anodized / Snap-On Cover / Neoprene Seal
477AA	\$ 8.24	\$ 27.06	Door Sweep	Clear Anodized / Neoprene / Snap-On Cover
477BK	\$ 11.76	\$ 38.56	Door Sweep	Black Anodized / Neoprene / Snap on Cover
477D	\$ 11.76	\$ 38.56	Door Sweep	Dark Bronze Anodized / Neoprene / Snap on Cover
477G	\$ 11.76	\$ 38.56	Door Sweep	Gold Anodized / Snap-On Cover / Neoprene
477AA END CAP	\$ 5.25 each		End Cap	End Cap for 477 Gasket Housing
478AA	\$ 12.01	\$ 39.40	Gasketing	Clear Anodized / Snap-On Cover / Double Neoprene
478BK	\$ 16.07	\$ 52.74	Gasketing	Black Anodized / Snap-On Cover / Double Neoprene
478D	\$ 16.07	\$ 52.74	Gasketing	Dark Bronze Anodized / Snap-On Cover / Double Neoprene
478G	\$ 16.07	\$ 52.74	Gasketing	Gold Anodized / Snap-On Cover / Double Neoprene
485A	\$ 5.78	\$ 18.96	Gasketing	Aluminum / Neoprene
485BK	\$ 8.86	\$ 29.05	Gasketing	Black Anodized / Neoprene
485D	\$ 8.86	\$ 29.05	Gasketing	Dark Bronze Anodized / Neoprene
485G	\$ 8.86	\$ 29.05	Gasketing	Gold Anodized / Neoprene
486N	\$ 3.43	\$ 11.28	Replacement Gasket	.36" Wide Dual Lip and Bulb .176" Wide Base-Neoprene
488BIO	\$ 1.51	\$ 4.97	Weather Stripping	Antibacterial Rubber / Brown / PSA
488FS	\$ 2.89	\$ 9.50	Weather Stripping	Intumescent / Silicone / PSA
488S-BK	\$ 1.38	\$ 4.52	Weather Stripping	Silicone Seal with PSA, black color
488S-BR	\$ 1.38	\$ 4.52	Weather Stripping	Silicone Seal with PSA, brown color
488S-CL	\$ 1.38	\$ 4.52	Weather Stripping	Silicone Seal with PSA, clear
488S-GY	\$ 1.38	\$ 4.52	Weather Stripping	Silicone Seal with PSA, gray color
488S-WH	\$ 1.38	\$ 4.52	Weather Stripping	Silicone Seal with PSA, white color
500B	\$ 12.26	\$ 40.21	Weather Stripping	Bronze Side Jamb without Return Flange 2 1/8"(53.1)
500Z	\$ 3.94	\$ 12.94	Weather Stripping	Zinc Side Jamb without Return Flange 2 1/8"(53.1)
511A	\$ 11.20	\$ 36.76	Door Sweep	Aluminum / Rubber 1/16"(1.6) thick
511BK	\$ 15.39	\$ 36.76	Door Sweep	Black Anodizing / Rubber 1/16"(1.6) thick
511D	\$ 15.39	\$ 36.76	Door Sweep	Dark Bronze Anod. / Rubber 1/16"(1.6) thick
511G	\$ 15.39	\$ 36.76	Door Sweep	Gold Anodizing / Rubber 1/16"(1.6) thick
520A	\$ 10.23	\$ 33.58	Gasketing	Aluminum / Double Neoprene
521FSA	\$ 22.07	\$ 72.39	Door Sweep	Aluminum/ Intumescent/ Flame Retardant Silicone, for undercut doors
521S-BK	\$ 5.74	\$ 18.86	Replacement Gasket	1.938" Tall Rectangular Seal - Silicone
522A	\$ 7.01	\$ 22.98	Threshold	Aluminum Threshold 1/2" (12.7) High
522BK	\$ 9.73	\$ 22.98	Threshold	Black Anod. Threshold 1/2" (12.7) High

\*\*Supplied without mounting holes.

PART NUMBER	LIST PRICE PER FOOT	LIST PRICE PER METER	TYPE	DESCRIPTION
522D	\$ 9.73	\$ 22.98	Threshold	Dark Bronze Anod. Threshold 1/2" (12.7) High
522G	\$ 9.73	\$ 22.98	Threshold	Gold Anod. Threshold 1/2" (12.7) High
523A	\$ 15.35	\$ 50.36	Threshold	Aluminum Butt Threshold 3" (76.2)
523BK	\$ 21.34	\$ 50.36	Threshold	Black Anod. Butt Threshold 3" (76.2)
523D	\$ 21.34	\$ 50.36	Threshold	Dark Bronze Anod. Butt Threshold 3" (76.2)
523G	\$ 21.34	\$ 50.36	Threshold	Gold Anod. Butt Threshold 3" (76.2)
524A	\$ 17.59	\$ 57.73	Threshold	Aluminum Butt Threshold 3"(76.2)/ Neoprene
524BK	\$ 24.41	\$ 57.73	Threshold	Black Anod. Butt Threshold 3"(76.2)/ Neoprene
524D	\$ 24.41	\$ 57.73	Threshold	Dark Bronze Anodized Butt Threshold 3"(76.2)/ Neoprene
524G	\$ 24.41	\$ 57.73	Threshold	Gold Anod. Butt Threshold 3"(76.2)/ Neoprene
525A	\$ 25.58	\$ 83.92	Threshold	Aluminum Thermal Break Threshold 5" (127.0) / Neoprene
525BK	\$ 33.98	\$ 83.92	Threshold	Black Anodized Thermal Break Threshold 5" (127.0) / Neoprene
525D	\$ 33.98	\$ 83.92	Threshold	Dark Bronze Anodized Thermal Break Threshold 5" (127.0) / Neoprene
525G	\$ 33.98	\$ 83.92	Threshold	Gold Anodized Thermal Break Threshold 5" (127.0) / Neoprene
526A	\$ 28.13	\$ 92.31	Threshold	Aluminum Thermal Break Threshold 6" (152.4) / Neoprene
526BK	\$ 37.58	\$ 92.31	Threshold	Black Anodized Thermal Break Threshold 6" (152.4) / Neoprene
526D	\$ 37.58	\$ 92.31	Threshold	Dark Bronze Anod. Thermal Break Threshold 6" (152.4) / Neoprene
526G	\$ 37.58	\$ 92.31	Threshold	Gold Anodized Thermal Break Threshold 6" (152.4) / Neoprene
539AA	\$ 9.48	\$ 31.09	Gasketing	Clear Anodized / Solid Neoprene
539BK	\$ 14.23	\$ 46.67	Gasketing	Black Anodized / Solid Neoprene
539D	\$ 14.23	\$ 46.67	Gasketing	Dark Bronze Anodized / Solid Neoprene
539G	\$ 14.23	\$ 46.67	Gasketing	Gold Anodized / Solid Neoprene
539N	\$ 2.37	\$ 7.79	Replacement Gasket	1.56" Tall Sweep Seal - Neoprene
544A	\$ 10.23	\$ 33.56	Threshold	Aluminum Handicap Threshold 4"(101.6)
544BK	\$ 14.44	\$ 33.56	Threshold	Black Anod. Handicap Threshold 4"(101.6)
544D	\$ 14.44	\$ 33.56	Threshold	Dark Bronze Anodized Handicap Threshold 4"(101.6)
544G	\$ 14.44	\$ 33.56	Threshold	Gold Anod. Handicap Threshold 4"(101.6)
545A	\$ 12.25	\$ 40.18	Threshold	Aluminum Handicap Threshold 5"(127.0)
545BK	\$ 24.19	\$ 40.18	Threshold	Black Anod. Handicap Threshold 5"(127.0)
545D	\$ 24.19	\$ 40.18	Threshold	Dark Bronze Anodized Handicap Threshold 5"(127.0)
545G	\$ 24.19	\$ 40.18	Threshold	Gold Anod. Handicap Threshold 5"(127.0)
545B	\$ 50.38	\$ 165.30	Threshold	Bronze Handicap Threshold 5"(127.0)
545D	\$ 24.19	\$ 79.38	Threshold	Dark Bronze Anodized Handicap Threshold 5"(127.0)
546A**	\$ 15.80	\$ 51.82	Threshold	Aluminum Handicap Threshold 6"(152.4)
546BK**	\$ 22.09	\$ 51.82	Threshold	Black Anod. Handicap Threshold 6"(152.4)
546D**	\$ 22.09	\$ 51.82	Threshold	Dark Bronze Anodized Handicap Threshold 6"(152.4)
546G**	\$ 22.09	\$ 51.82	Threshold	Gold Anod. Handicap Threshold 6"(152.4)
547A**	\$ 18.51	\$ 60.73	Threshold	Aluminum Handicap Threshold 7"(177.8)
547BK**	\$ 24.81	\$ 60.73	Threshold	Black Anod. Handicap Threshold 7"(177.8)
547D**	\$ 24.81	\$ 60.73	Threshold	Dark Bronze Anodized Handicap Threshold 7"(177.8)
547G**	\$ 24.81	\$ 60.73	Threshold	Gold Anod. Handicap Threshold 7"(177.8)
548A**	\$ 23.78	\$ 78.01	Threshold	Aluminum Handicap Threshold 8"(203.2)
548BK**	\$ 32.17	\$ 78.01	Threshold	Black Anod. Handicap Threshold 8"(203.2)
548D**	\$ 32.17	\$ 78.01	Threshold	Dark Bronze Anodized Handicap Threshold 8"(203.2)
548G**	\$ 32.17	\$ 78.01	Threshold	Gold Anod. Handicap Threshold 8"(203.2)
555AA	\$ 20.84	\$ 68.37	Meeting Stile	Clear Anodized / Silicone Insert Adjustable Surface Astragal
555BK	\$ 30.56	\$ 100.29	Meeting Stile	Black Anodized / Silicone Insert Adjustable Surface Astragal
555D	\$ 30.56	\$ 100.29	Meeting Stile	Dark Bronze Anodized / Silicone Insert Adjustable Surface Astragal
555G	\$ 30.56	\$ 100.29	Meeting Stile	Gold Anodized / Silicone Insert Adjustable Surface Astragal



PART NUMBER	LIST PRICE PER FOOT	LIST PRICE PER METER	TYPE	DESCRIPTION
<b>555FS-AA</b>	\$ 27.67	\$ 90.79	Meeting Stile	Clear Anodized/ Silicone/ Intumescent Adjustable Surface Astragal
<b>555FS-BK</b>	\$ 33.78	\$ 110.83	Meeting Stile	Black Anodized / Silicone Insert / Intumescent/ Adjustable Surface Astragal
<b>555FS-D</b>	\$ 33.78	\$ 110.83	Meeting Stile	Dark Bronze Anodized / Silicone Insert / Intumescent/ Adjustable Surface Astragal
<b>555FS-G</b>	\$ 33.78	\$ 110.83	Meeting Stile	Gold Anodized / Silicone Insert / Intumescent/ Adjustable Surface Astragal
<b>557AA</b>	\$ 20.84	\$ 68.37	Meeting Stile	Clear Anodized / Silicone Insert /Adjustable Mortised Astragal
<b>557BK</b>	\$ 30.09	\$ 98.75	Meeting Stile	Black Anodized / Silicone Insert / Adjustable Mortised Astragal
<b>557D</b>	\$ 30.09	\$ 98.75	Meeting Stile	Dark Bronze Anodized / Silicone Insert / Adjustable Mortised Astragal
<b>557G</b>	\$ 30.09	\$ 98.75	Meeting Stile	Gold Anodized / Silicone Insert /Adjustable Mortised Astragal
<b>557FS-AA</b>	\$ 26.41	\$ 86.66	Meeting Stile	Clear Anodized / Intumescent / Silicone Adjustable Mortised Astragal
<b>557FS-BK</b>	\$ 36.04	\$ 118.22	Meeting Stile	Black Anodized / Intumescent /Silicone / Adjustable Mortised Astragal
<b>557FS-D</b>	\$ 36.04	\$ 118.22	Meeting Stile	Dark Bronze Anodized / Intumescent / Silicone / Adjustable Mortised Astragal
<b>557FS-G</b>	\$ 36.04	\$ 118.22	Meeting Stile	Gold Anodized / Intumescent / Silicone Adjustable Mortised Astragal
<b>560A</b>	\$ 18.05	\$ 59.23	Threshold	Aluminum Rabbeted Threshold/ Neoprene 5"(127.0) wide 7/8"(22.2) high
<b>560BK</b>	\$ 24.87	\$ 59.23	Threshold	Black Anodized Rabbeted Threshold/ Neoprene 5"(127.0) wide 7/8"(22.2) high
<b>560D</b>	\$ 24.87	\$ 59.23	Threshold	Dark Bronze Anodized Rabbeted Threshold/ Neoprene 5"(127.0) wide 7/8"(22.2) high
<b>560G</b>	\$ 24.87	\$ 59.23	Threshold	Gold Anodized Rabbeted Threshold/ Neoprene 5"(127.0) wide 7/8"(22.2) high
<b>561A</b>	\$ 19.32	\$ 63.38	Threshold	Aluminum Rabbeted Threshold/ Neoprene 4 1/2"(114.3) wide 1" (25.4) high
<b>561BK</b>	\$ 26.67	\$ 63.38	Threshold	Black Anodized Rabbeted Threshold/ Neoprene 4 1/2"(114.3) wide 1" (25.4) high
<b>561D</b>	\$ 26.67	\$ 63.38	Threshold	Dark Bronze Anodized Rabbeted Threshold/ Neoprene 4 1/2"(114.3) wide 1" (25.4) high
<b>561G</b>	\$ 26.67	\$ 63.38	Threshold	Gold Anodized Rabbeted Threshold/ Neoprene 4 1/2"(114.3) wide 1" (25.4) high
<b>563A</b>	\$ 14.36	\$ 47.10	Threshold	Aluminum Rabbeted Threshold/ Neoprene 3 9/16"(90.4) wide 7/8"(22.2) high
<b>563BK</b>	\$ 19.61	\$ 47.10	Threshold	Black Anodized Rabbeted Threshold/ Neoprene 3 9/16"(90.4) wide 7/8"(22.2) high
<b>563D</b>	\$ 19.61	\$ 47.10	Threshold	Dark Bronze Anodized Rabbeted Threshold/ Neoprene 3 9/16"(90.4) wide 7/8"(22.2) high
<b>563A</b>	\$ 19.61	\$ 47.10	Threshold	Gold Anodized Rabbeted Threshold/ Neoprene 3 9/16"(90.4) wide 7/8"(22.2) high
<b>564A</b>	\$ 10.45	\$ 34.32	Threshold	Aluminum Rabbeted Threshold/ Neoprene 3 11/16"(84.9) wide 1/2"(12.7) high
<b>564BK</b>	\$ 14.66	\$ 34.32	Threshold	Black Anodized Rabbeted Threshold/ Neoprene 3 11/16"(84.9) wide 1/2"(12.7) high
<b>564D</b>	\$ 14.66	\$ 34.32	Threshold	Dark Bronze Anodized Rabbeted Threshold/ Neoprene 3 11/16"(84.9) wide 1/2"(12.7) high
<b>564G</b>	\$ 14.66	\$ 34.32	Threshold	Gold Anodized Rabbeted Threshold/ Neoprene 3 11/16"(84.9) wide 1/2"(12.7) high
<b>564B</b>	\$ 57.61	\$ 188.99	Threshold	Bronze Rabbeted Threshold / Neoprene 3 11/16"(84.9) wide 1/2"(12.7) high
<b>564D</b>	\$ 20.92	\$ 68.63	Threshold	Dark Bronze Anodized / Neoprene 3 11/16"(84.9) wide 1/2"(12.7) high
<b>565A</b>	\$ 23.47	\$ 77.01	Threshold	Aluminum Rabbeted Threshold 4 7/8" (123.8) / Neoprene Stop 7/8" (22.2)
<b>565BK</b>	\$ 31.87	\$ 77.01	Threshold	Black Anodized Rabbeted Threshold 4 7/8" (123.8) / Neoprene Stop 7/8" (22.2)
<b>565D</b>	\$ 31.87	\$ 77.01	Threshold	Dark Bronze Anodized Rabbeted Threshold 4 7/8" (123.8) / Neoprene Stop 7/8" (22.2)

PART NUMBER	LIST PRICE PER FOOT	LIST PRICE PER METER	TYPE	DESCRIPTION
<b>565G</b>	\$ 31.87	\$ 77.01	Threshold	Gold Anodized Rabbeted Threshold 4 7/8" (123.8) / Neoprene Stop 7/8" (22.2)
<b>565B</b>	\$ 136.82	\$ 448.91	Threshold	Bronze Rabbeted Threshold 4 7/8" (123.8) / Neoprene Stop 7/8" (22.2)
<b>566A</b>	\$ 14.68	\$ 48.16	Threshold	Aluminum Rabbeted Threshold 5"(12.7) Neoprene Stop 1/2" (12.7)
<b>566BK</b>	\$ 19.93	\$ 48.16	Threshold	Black Anodized Rabbeted Threshold 5"(12.7) Neoprene Stop 1/2" (12.7)
<b>566D</b>	\$ 19.93	\$ 48.16	Threshold	Dark Bronze Anodized Rabbeted Threshold 5"(12.7) Neoprene Stop 1/2" (12.7)
<b>566G</b>	\$ 19.93	\$ 48.16	Threshold	Gold Anodized Rabbeted Threshold 5"(12.7) Neoprene Stop 1/2" (12.7)
<b>566B</b>	\$ 60.25	\$ 197.69	Threshold	Bronze 1/2" (12.7) High Neoprene Stop 1/2" (12.7)
<b>568A</b>	\$ 16.85	\$ 55.26	Threshold	Aluminum 1/2" (12.7) High Rabbeted Threshold 6" (152.4) Wide
<b>568BK</b>	\$ 23.14	\$ 55.26	Threshold	Black Anodized 1/2" (12.7) High Rabbeted Threshold 6" (152.4) Wide
<b>568D</b>	\$ 23.14	\$ 55.26	Threshold	Black Anodized 1/2" (12.7) High Rabbeted Threshold 6" (152.4) Wide
<b>568G</b>	\$ 23.14	\$ 55.26	Threshold	Gold Anodized 1/2" (12.7) High Rabbeted Threshold 6" (152.4) Wide
<b>570AA</b>	\$ 13.17	\$ 43.22	Gasketing	Clear Anodized / Self-Adjusting /Silicone
<b>570BK</b>	\$ 17.89	\$ 43.22	Gasketing	Black Anodized / Self-Adjusting /Silicone
<b>570D</b>	\$ 17.89	\$ 43.22	Gasketing	Dark Bronze Anod. / Self-Adjusting / Silicone
<b>570G</b>	\$ 17.89	\$ 43.22	Gasketing	Gold Anodized / Self-Adjusting /Silicone
<b>570S-BK</b>	\$ 2.40	\$ 7.90	Replacement Gasket	.328" Semi-circular Bulb Kerf Seal - Silicone - Black
<b>571AA</b>	\$ 13.17	\$ 43.22	Meeting Stile	Clear Anodized/ Self Adjusting/Neoprene Lip
<b>572N</b>	\$ 4.10	\$ 13.45	Replacement Gasket	.36" Wide Lip and Bulb Seal - Neoprene
<b>600CP**</b>	\$ 4.77	/inch./ft.	Threshold	Aluminum Cover Plate Wide max. 48"(1219.2) x 1/8"(3.2) thick - Submit template with Order
<b>600CPBK**</b>	\$ 6.88	/inch./ft.	Threshold	Black Anodized Cover Plate Wide max. 48"(1219.2) x 1/8"(3.2) thick - Submit template with Order
<b>600CPD**</b>	\$ 6.88	/inch./ft.	Threshold	Dark Bronze Anodized Cover Plate Wide max. 48"(1219.2) x 1/8"(3.2) thick - Submit template with Order
<b>600CPG**</b>	\$ 6.88	/inch./ft.	Threshold	Gold Anodized Cover Plate Wide max. 48"(1219.2) x 1/8"(3.2) thick - Submit template with Order
<b>601CP**</b>	\$ 8.96	/inch./ft.	Threshold	Aluminum Cover Plate Wide max. 48"(1219.2) x 1/4" (6.4) thick - Submit template with order
<b>601CPBK**</b>	\$ 12.54	/inch./ft.	Threshold	Black Anodized Cover Plate Wide max. 48"(1219.2) x 1/4" (6.4) thick - Submit template with order
<b>601CPD**</b>	\$ 12.54	/inch./ft.	Threshold	Dark Bronze Anodized Cover Plate Wide max. 48"(1219.2) x 1/4" (6.4) thick - Submit template with order
<b>601CPG**</b>	\$ 12.54	/inch./ft.	Threshold	Gold Anodized Cover Plate Wide max. 48"(1219.2) x 1/4" (6.4) thick - Submit template with order
<b>622A</b>	\$ 7.01	\$ 22.98	Threshold	Aluminum Butt Threshold 2" (50.8)
<b>622BK</b>	\$ 9.63	\$ 22.98	Threshold	Black Anodized Butt Threshold 2" (50.8)
<b>622D</b>	\$ 9.63	\$ 22.98	Threshold	Dark Bronze Anodized Butt Threshold 2" (50.8)
<b>622G</b>	\$ 9.63	\$ 22.98	Threshold	Gold Anodized Butt Threshold 2" (50.8)
<b>622PVC</b>	\$ 2.52	\$ 8.27	Replacement Gasket	.45" x .49" Thermal Break Connector - PVC
<b>623A</b>	\$ 9.94	\$ 32.60	Threshold	Aluminum Butt Threshold 3" (76.2)
<b>623BK</b>	\$ 13.72	\$ 32.60	Threshold	Black Anodized Butt Threshold 3" (76.2)
<b>623D</b>	\$ 13.72	\$ 32.60	Threshold	Dark Bronze Anodized Butt Threshold 3" (76.2)
<b>623G</b>	\$ 13.72	\$ 32.60	Threshold	Gold Anodized Butt Threshold 3" (76.2)
<b>624A</b>	\$ 15.50	\$ 50.86	Threshold	Aluminum / Thermal Break / 4" (101.6)
<b>624BK</b>	\$ 21.27	\$ 50.86	Threshold	Black Anodized / Thermal Break / 4" (101.6)
<b>624D</b>	\$ 21.27	\$ 50.86	Threshold	Dark Bronze Anod. / Thermal Break / 4" (101.6)
<b>624G</b>	\$ 21.27	\$ 50.86	Threshold	Gold Anodized / Thermal Break / 4" (101.6)
<b>625A</b>	\$ 18.43	\$ 60.47	Threshold	Aluminum / Thermal Break / 5" (127.0)

\*\*Supplied without mounting holes.

PART NUMBER	LIST PRICE PER FOOT	LIST PRICE PER METER	TYPE	DESCRIPTION
625BK	\$ 25.16	\$ 60.47	Threshold	Black Anodized / Thermal Break / 5" (127.0)
625D	\$ 25.16	\$ 60.47	Threshold	Dark Bronze Anod. / Thermal Break / 5" (127.0)
625G	\$ 25.16	\$ 60.47	Threshold	Gold Anodized / Thermal Break / 5" (127.0)
626A	\$ 20.98	\$ 68.84	Threshold	Aluminum / Thermal Break / 6" (152.4)
626BK	\$ 28.85	\$ 68.84	Threshold	Black Anodized / Thermal Break / 6" (152.4)
626D	\$ 28.85	\$ 68.84	Threshold	Dark Bronze Anod. / Thermal Break / 6" (152.4)
626G	\$ 28.85	\$ 68.84	Threshold	Gold Anodized / Thermal Break / 6" (152.4)
627A	\$ 8.66	\$ 28.41	Threshold	Aluminum / Neoprene / 2" (50.8) wide
627BK	\$ 11.81	\$ 28.41	Threshold	Black Anod. / Neoprene / 2" (50.8) wide
627D	\$ 11.81	\$ 28.41	Threshold	Dark Bronze Anod. / Neoprene / 2" (50.8) wide
627G	\$ 11.81	\$ 28.41	Threshold	Gold Anod. / Neoprene / 2" (50.8) wide
628A	\$ 11.52	\$ 37.80	Threshold	Aluminum / Neoprene / 3" (76.2) wide
628BK	\$ 15.82	\$ 37.80	Threshold	Black Anodized / Neoprene / 3" (76.2) wide
628D	\$ 15.82	\$ 37.80	Threshold	Dark Bronze Anod. / Neoprene / 3" (76.2) wide
628G	\$ 15.82	\$ 37.80	Threshold	Gold Anodized / Neoprene / 3" (76.2) wide
639WA	\$ 13.52	\$ 44.35	Door Sweep	Aluminum / Solid Neoprene
639WBK	\$ 18.35	\$ 60.19	Door Sweep	Black Anodized / Solid Neoprene
639WD	\$ 18.35	\$ 60.19	Door Sweep	Dark Bronze Anodized / Solid Neoprene
639WG	\$ 18.35	\$ 60.19	Door Sweep	Gold Anodized / Solid Neoprene
639WN	\$ 9.73	\$ 31.96	Replacement Gasket	4" Tall Lip Seal - Neoprene
643A	\$ 11.75	\$ 38.54	Threshold	Aluminum / Carpet Divider / 3" (76.2) wide
643BK	\$ 16.16	\$ 38.54	Threshold	Black Anodized / Carpet Divider / 3" (76.2) wide
643D	\$ 16.16	\$ 38.54	Threshold	Dark Bronze Anodized / Carpet Divider / 3" (76.2) wide
643G	\$ 16.16	\$ 38.54	Threshold	Gold Anodized / Carpet Divider / 3" (76.2) wide
647B	\$ 180.76	\$ 593.07	Threshold	BronzeThreshold 7" (177.8) wide
653A	\$ 11.27	\$ 37.00	Threshold	AluminumThreshold 3" (76.2) wide
654A	\$ 14.45	\$ 47.41	Threshold	AluminumThreshold 4" (101.6) wide
654BK	\$ 19.70	\$ 47.41	Threshold	Black Anodized Threshold 4" (101.6) wide
654D	\$ 19.70	\$ 47.41	Threshold	Dark Bronze Anod. Threshold 4" (101.6) wide
654G	\$ 19.70	\$ 47.41	Threshold	Gold Anodized Threshold 4" (101.6) wide
654B	\$ 66.10	\$ 216.87	Threshold	BronzeThreshold 4" (101.6) wide
655A	\$ 17.30	\$ 56.76	Threshold	AluminumThreshold 5" (127.0) wide
655BK	\$ 23.59	\$ 56.76	Threshold	Black Anodized Threshold 5" (127.0) wide
655D	\$ 23.59	\$ 56.76	Threshold	Dark Bronze Anod. Threshold 5" (127.0) wide
655G	\$ 23.59	\$ 56.76	Threshold	Gold Anodized Threshold 5" (127.0) wide
655B	\$ 91.05	\$ 298.73	Threshold	BronzeThreshold 5" (127.0) wide
656A**	\$ 20.47	\$ 67.17	Threshold	AluminumThreshold 6" (152.4) wide
656BK**	\$ 28.23	\$ 67.17	Threshold	Black Anodized Threshold 6" (152.4) wide
656D**	\$ 28.23	\$ 67.17	Threshold	Dark Bronze Anod. Threshold 6" (152.4) wide
656G**	\$ 28.23	\$ 67.17	Threshold	Gold Anodized Threshold 6" (152.4) wide
656B**	\$ 118.64	\$ 389.26	Threshold	BronzeThreshold 6" (152.4) wide
657A**	\$ 29.35	\$ 96.28	Threshold	AluminumThreshold 7" (177.8) wide
657BK**	\$ 39.85	\$ 96.28	Threshold	Black Anodized Threshold 7" (177.8) wide
657D**	\$ 39.85	\$ 96.28	Threshold	Dark Bronze Anod. Threshold 7" (177.8) wide
657G**	\$ 39.85	\$ 96.28	Threshold	Gold Anodized Threshold 7" (177.8) wide
663A**	\$ 9.18	\$ 30.12	Threshold	Aluminum Threshold 3" (76.2) wide
663BK**	\$ 12.86	\$ 30.12	Threshold	Black Anodized Threshold 3" (76.2) wide
663D**	\$ 12.86	\$ 30.12	Threshold	Dark Bronze Anod. Threshold 3" (76.2) wide
663G**	\$ 12.86	\$ 30.12	Threshold	Gold Anodized Threshold 3" (76.2) wide
664STST	\$ 126.54	\$ 415.15	Threshold	Stainless Steel/ Smooth Top 4"(101.6) x 1/2"(12.7)
669DP-A	Custom Product submit template to Eng. Specials		Threshold	Aluminum Custom Fabricated Bulkhead
669DP-S	Custom Product submit template to Eng. Specials		Threshold	Steel Custom Fabricated Bulkhead
669DP-STST	Custom Product submit template to Eng. Specials		Threshold	Stainless Steel Custom Fabricated
672A**	\$ 8.57	\$ 28.14	Threshold	Aluminum Plate 2" (50.8) wide

PART NUMBER	LIST PRICE PER FOOT	LIST PRICE PER METER	TYPE	DESCRIPTION
672BK**	\$ 11.72	\$ 28.14	Threshold	Black Anodized Plate 2" (50.8) wide
672D**	\$ 11.72	\$ 28.14	Threshold	Dark Bronze Anodized Plate 2" (50.8) wide
672G**	\$ 11.72	\$ 28.14	Threshold	Gold Anodized Plate 2" (50.8) wide
673A**	\$ 12.49	\$ 40.97	Threshold	Aluminum Plate 3" (76.2) wide
673BK**	\$ 17.31	\$ 40.97	Threshold	Black Anodized Plate 3" (76.2) wide
673D**	\$ 17.31	\$ 40.97	Threshold	Dark Bronze Anodized Plate 3" (76.2) wide
673G**	\$ 17.31	\$ 40.97	Threshold	Gold Anodized Plate 3" (76.2) wide
673B**	\$ 65.44	\$ 214.73	Threshold	Bronze Plate 3" (76.2) wide
674A**	\$ 16.92	\$ 55.53	Threshold	Aluminum Plate 4" (101.6) wide
674BK**	\$ 23.23	\$ 55.53	Threshold	Black Anodized Plate 4" (101.6) wide
674D**	\$ 23.23	\$ 55.53	Threshold	Dark Bronze Anodized Plate 4" (101.6) wide
674G**	\$ 23.23	\$ 55.53	Threshold	Gold Anodized Plate 4" (101.6) wide
674B**	\$ 91.65	\$ 300.69	Threshold	Bronze Plate 4" (101.6) wide
675A**	\$ 20.15	\$ 66.12	Threshold	Aluminum Plate 5" (127.0) wide
675BK**	\$ 27.50	\$ 66.12	Threshold	Black Anodized Plate 5" (127.0) wide
675D**	\$ 27.50	\$ 66.12	Threshold	Dark Bronze Anodized Plate 5" (127.0) wide
675G**	\$ 27.50	\$ 66.12	Threshold	Gold Anodized Plate 5" (127.0) wide
676A**	\$ 24.37	\$ 79.96	Threshold	Aluminum Plate 6" (152.4) wide
676BK**	\$ 33.61	\$ 79.96	Threshold	Black Anodized Plate 6" (152.4) wide
676D**	\$ 33.61	\$ 79.96	Threshold	Dark Bronze Anodized Plate 6" (152.4) wide
676G**	\$ 33.61	\$ 79.96	Threshold	Gold Anodized Plate 6" (152.4) wide
676B**	\$ 178.76	\$ 586.52	Threshold	Bronze Plate 6" (152.4) wide
678A**	\$ 33.70	\$ 110.57	Threshold	Aluminum Plate 8" (203.2) wide
678BK**	\$ 46.31	\$ 110.57	Threshold	Black Anodized Plate 8" (203.2) wide
678D**	\$ 46.31	\$ 110.57	Threshold	Dark Bronze Anodized Plate 8" (203.2) wide
678G**	\$ 46.31	\$ 110.57	Threshold	Gold Anodized Plate 8" (203.2) wide
712AA	\$ 20.84	\$ 68.37	Gasketing	Clear Anodized / Adjustable /Spring Loaded / Silicone Insert
712BK	\$ 30.56	\$ 100.29	Gasketing	Black Anodized / Adjustable /Spring Loaded / Silicone Insert
712D	\$ 30.56	\$ 100.29	Gasketing	Dark Bronze Anodized / Adjustable /Spring Loaded / Silicone Insert
712G	\$ 30.56	\$ 100.29	Gasketing	Gold Anodized / Adjustable /Spring Loaded / Silicone Insert
770AA*	\$ 27.48	\$ 90.15	Gasketing	Clear Anodized / Adjustable Sound
770BK*	\$ 34.23	\$ 112.32	Gasketing	Dark Bronze Anodized / Adjustable Sound Seal/ Neoprene
770D*	\$ 34.23	\$ 112.32	Gasketing	Dark Bronze Anodized / Adjustable Sound Seal/ Neoprene
770G*	\$ 34.23	\$ 112.32	Gasketing	Gold Anodized / Adjustable Sound Seal/ Neoprene
770SP*	\$ 38.68	\$ 126.89	Gasketing	Steel Primed Adjustable Sound Seal for Cased Opening Fire Rated
770SPB	\$ 36.04	each	General	Closer/Coordinator 6" Bracket Steel Prime.
770STST*	\$ 72.90	\$ 239.18	Gasketing	Stainless Steel Adjustable Sound Seal
770EMI*	\$ 75.69	\$ 248.35	Gasketing	Irradiate Finish Adjustable Head and Jamb
770FS-AA*	\$ 40.91	\$ 134.22	Gasketing	Clear Anodized / Intumescent Fire Stop Neoprene
770FS-BK*	\$ 47.81	\$ 156.89	Gasketing	Black Anodized / Intumescent Fire Stop/ Neoprene
770FS-D*	\$ 47.81	\$ 156.89	Gasketing	Dark Bronze Anodized / Intumescent Fire Stop/Neoprene
770FS-G*	\$ 47.81	\$ 156.89	Gasketing	Gold Anodized / Intumescent Fire Stop / Neoprene
810	\$ 2.71	\$ 8.88	Weather Stripping	Closed Cell Neoprene/ Bumper Type/ PSA .625"(15.9) x .625"(15.9)
811	\$ 4.05	\$ 13.28	Weather Stripping	Closed Cell Neoprene/ Bumper Type/ PSA .750"(19.1) x .625"(15.9)
812	\$ 4.71	\$ 15.48	Weather Stripping	Closed Cell Neoprene/ Bumper Type/ PSA 1.00"(25.4) x .500"(12.7)
813	\$ 5.73	\$ 18.80	Weather Stripping	Closed Cell Neoprene/ Bumper Type/ PSA 1.250"(31.8) x .625"(15.9)
824N	\$ 1.27	\$ 4.19	Weather Stripping	Neoprene Seal with PSA
826N	\$ 1.05	\$ 3.44	Weather Stripping	Closed Cell Neoprene Seal with PSA
870AA	\$ 17.08	\$ 56.02	Gasketing	Clear Anodized / Silicone / Adjustable
870BK	\$ 25.54	\$ 83.79	Gasketing	Black Anodized / Silicone /Adjustable

\*Comes standard with mitered corners when ordered a set. If ordering mitered corners as a stick, please specify handing. If non-mitered corners is wanted, please specify and order as an individual stick length.  
\*\*Supplied without mounting holes.

PART NUMBER	LIST PRICE PER FOOT	LIST PRICE PER METER	TYPE	DESCRIPTION
<b>870D</b>	\$ 25.54	\$ 83.79	Gasketing	Dark Bronze Anodized / Silicone / Adjustable
<b>870G</b>	\$ 25.54	\$ 83.79	Gasketing	Gold Anodized / Silicone / Adjustable
<b>870SPB</b>	\$ 34.40	each	General	Closer/Coordinator 6" Bracket Steel Prime
<b>870S-BK</b>	\$ 5.41	\$ 17.76	Replacement Gasket	.361" Wide Silicone Bulb Seal
<b>871AA</b>	\$ 17.08	\$ 56.02	Meeting Stile	Clear Anodized / Pile Brush / Adjustable
<b>871BK</b>	\$ 25.54	\$ 83.79	Meeting Stile	Black Anodized / Pile Brush / Adjustable
<b>871D</b>	\$ 25.54	\$ 83.79	Meeting Stile	Dark Bronze Anodized / Pile Brush / Adjustable
<b>871G</b>	\$ 25.54	\$ 83.79	Meeting Stile	Gold Anodized / Pile Brush / Adjustable
<b>873AA</b>	\$ 17.08	\$ 56.02	Meeting Stile	Clear Anodized / Neoprene Lip / Adjustable
<b>873BK</b>	\$ 25.54	\$ 56.02	Meeting Stile	Black Anodized / Neoprene Lip / Adjustable
<b>873D</b>	\$ 25.54	\$ 56.02	Meeting Stile	Dark Bronze Anod. / Neoprene Lip / Adjustable
<b>873G</b>	\$ 25.54	\$ 56.02	Meeting Stile	Gold Anodized / Neoprene Lip / Adjustable
<b>905A</b>	\$ 7.88	\$ 25.87	Gasketing	Aluminum Astragal
<b>905BK</b>	\$ 11.04	\$ 25.87	Gasketing	Black Anodized Astragal
<b>905D</b>	\$ 11.04	\$ 25.87	Gasketing	Dark Bronze Anodized Astragal
<b>905G</b>	\$ 11.04	\$ 25.87	Gasketing	Gold Anodized Astragal
<b>926N</b>	\$ 1.75	\$ 6.90	Gasketing	.375"(9.5) x .185"(4.7) Closed Cell Sponge Neoprene w/PSA - 50 Ft. (15.24M)/Roll, 1 roll minimum UOM purchase
<b>951A</b>	\$ 11.52	\$ 37.81	Finger Guard	Cover for mortise type hinge.
<b>951BK</b>	\$ 15.72	\$ 37.81	Finger Guard	Black Anodizing Cover for mortise type hinge.
<b>951D</b>	\$ 15.72	\$ 37.81	Finger Guard	Dark Bronze Anod. Cover for mortise type hinge.
<b>951G</b>	\$ 15.72	\$ 37.81	Finger Guard	Gold Anodizing Cover for mortise type hinge.
<b>971AA-BIO</b>	\$ 15.11	\$ 49.57	Finger Guard	BioWall Antibacterial rubber, white
<b>971BK-BIO</b>	\$ 21.00	\$ 49.57	Finger Guard	Black Anod. BioWall Antibacterial rubber, white
<b>971D-BIO</b>	\$ 21.00	\$ 49.57	Finger Guard	Dark Bronze Anod. BioWall Antibacterial rubber, white
<b>971G-BIO</b>	\$ 21.00	\$ 49.57	Finger Guard	Gold Anod. BioWall Antibacterial rubber, white
<b>972AA-BIO</b>	\$ 12.82	\$ 42.05	Finger Guard	BioWall Antibacterial rubber, white
<b>972BK-BIO</b>	\$ 17.85	\$ 42.05	Finger Guard	Black Anod. BioWall Antibacterial rubber, white
<b>972D-BIO</b>	\$ 17.85	\$ 42.05	Finger Guard	Dark Bronze Anod. BioWall Antibacterial rubber, white
<b>972G-BIO</b>	\$ 17.85	\$ 42.05	Finger Guard	Gold Anod. BioWall Antibacterial rubber, white
<b>973AA-BIO</b>	\$ 17.79	\$ 58.33	Finger Guard	BioWall Antibacterial rubber, white
<b>973BK-BIO</b>	\$ 24.72	\$ 58.33	Finger Guard	BioWall Antibacterial rubber, white
<b>973D-BIO</b>	\$ 24.72	\$ 58.33	Finger Guard	BioWall Antibacterial rubber, white
<b>973G-BIO</b>	\$ 24.72	\$ 58.33	Finger Guard	BioWall Antibacterial rubber, white
<b>974AA-BIO</b>	\$ 14.79	\$ 48.52	Finger Guard	BioWall Antibacterial rubber, white
<b>974BK-BIO</b>	\$ 20.67	\$ 48.52	Finger Guard	BioWall Antibacterial rubber, white
<b>974D-BIO</b>	\$ 20.67	\$ 48.52	Finger Guard	BioWall Antibacterial rubber, white
<b>974G-BIO</b>	\$ 20.67	\$ 48.52	Finger Guard	BioWall Antibacterial rubber, white
<b>1370A</b>	\$ 10.04	\$ 32.95	Gasketing	Aluminum with Neoprene
<b>1370BK</b>	\$ 13.43	\$ 44.06	Gasketing	Black Anodized / Neoprene
<b>1370D</b>	\$ 13.43	\$ 44.06	Gasketing	Dark Bronze Anodized / Neoprene
<b>1370G</b>	\$ 13.43	\$ 44.06	Gasketing	Gold Anodized / Neoprene
<b>1370N</b>	\$ 2.37	\$ 7.79	Replacement Gasket	5" Wide-Five Finger Sponge Neoprene - Extrusion
<b>1545A</b>	\$ 7.74	\$ 25.41	Threshold	Aluminum Butt Threshold 2 1/2" (63.5)
<b>1545B</b>	\$ 46.09	\$ 151.22	Threshold	Bronze Butt Threshold 2 1/2" (63.5)
<b>1545BK</b>	\$ 24.20	\$ 79.40	Threshold	Black Anodized Threshold 2 1/2" (63.5)
<b>1545D</b>	\$ 24.20	\$ 79.40	Threshold	Dark Bronze Anodized Threshold 2 1/2" (63.5)
<b>1545G</b>	\$ 24.20	\$ 79.40	Threshold	Gold Anodized Threshold 2 1/2" (63.5)
<b>1673A</b>	\$ 14.45	\$ 47.41	Threshold	Aluminum Butt Threshold 3" (76.2) Wide x 1/2" (12.7) High
<b>1673BK</b>	\$ 19.70	\$ 47.41	Threshold	Black Anodized Butt Threshold 3" (76.2) Wide x 1/2" (12.7) High
<b>1673D</b>	\$ 19.70	\$ 47.41	Threshold	Dark Bronze Anodized Butt Threshold 3" (76.2) Wide x 1/2" (12.7) High

PART NUMBER	LIST PRICE PER FOOT	LIST PRICE PER METER	TYPE	DESCRIPTION
<b>1673G</b>	\$ 19.70	\$ 47.41	Threshold	Gold Anodized Butt Threshold 3" (76.2) Wide x 1/2" (12.7) High
<b>1674A</b>	\$ 20.39	\$ 66.90	Threshold	Aluminum Threshold One Side Beveled 4"(101.6) x 1/2"(12.7) High
<b>1674BK</b>	\$ 27.74	\$ 66.90	Threshold	Black Anodized Threshold One Side Beveled 4"(101.6) x 1/2"(12.7) High
<b>1674D</b>	\$ 27.74	\$ 66.90	Threshold	Dark Bronze Anodized Threshold One Side Beveled 4"(101.6) x 1/2"(12.7) High
<b>1674G</b>	\$ 27.74	\$ 66.90	Threshold	Gold Anodized Threshold One Side Beveled 4"(101.6) x 1/2"(12.7) High
<b>1675A</b>	\$ 23.53	\$ 77.23	Threshold	Aluminum Threshold One Side Beveled 5"(127.0) x 1/2"(12.7) High
<b>1675BK</b>	\$ 31.93	\$ 77.23	Threshold	Black Anodized Threshold One Side Beveled 5"(127.0) x 1/2"(12.7) High
<b>1675D</b>	\$ 31.93	\$ 77.23	Threshold	Dark Bronze Anodized Threshold One Side Beveled 5"(127.0) x 1/2"(12.7) High
<b>1675G</b>	\$ 31.93	\$ 77.23	Threshold	Gold Anodized Threshold One Side Beveled 5"(127.0) x 1/2"(12.7) High
<b>1682A</b>	\$ 7.21	\$ 23.69	Threshold	Carpet Divider Threshold 1 3/4" (44.5)
<b>1682BK</b>	\$ 9.84	\$ 23.69	Threshold	Black Anodized Carpet Divider Threshold 1 3/4" (44.5)
<b>1682D</b>	\$ 9.84	\$ 23.69	Threshold	Dark Bronze Anodized Carpet Divider Threshold 1 3/4" (44.5)
<b>1682G</b>	\$ 9.84	\$ 23.69	Threshold	Gold Anodized Carpet Divider Threshold 1 3/4" (44.5)
<b>1682B</b>	\$ 40.17	\$ 131.78	Threshold	Bronze Carpet Divider 1 3/4" (44.5) x 1/2" (12.7)
<b>1684A</b>	\$ 16.09	\$ 52.79	Threshold	Aluminum Carpet Divider 4" (101.6)
<b>1684BK</b>	\$ 22.39	\$ 52.79	Threshold	Black Anodized Carpet Divider 4" (101.6)
<b>1684D</b>	\$ 22.39	\$ 52.79	Threshold	Dark Bronze Anodized Carpet Divider 4" (101.6)
<b>1684G</b>	\$ 22.39	\$ 52.79	Threshold	Gold Anodized Carpet Divider 4" (101.6)
<b>1685R**</b>	\$ 23.79	\$ 78.05	Threshold	Rubber Carpet Divider Threshold 2.5" (63.5)
<b>1686R**</b>	\$ 23.79	\$ 78.05	Threshold	Rubber Carpet Divider Threshold 1.813" (46.1)
<b>1840AA</b>	\$ 11.09	\$ 36.39	Meeting Stile	Clear Anodized Interior Astragal - Neoprene
<b>1840BK</b>	\$ 15.01	\$ 49.25	Meeting Stile	Black Interior Astragal - Neoprene
<b>1840D</b>	\$ 15.01	\$ 49.25	Meeting Stile	Dark Bronze Interior Astragal - Neoprene
<b>1840G</b>	\$ 15.01	\$ 49.25	Meeting Stile	Gold Interior Astragal - Neoprene
<b>2070A-10</b>	\$ 76.13	\$ 249.78	Flood Barrier	Flood Barrier Shield 10" high, inside mount
<b>2070A-20</b>	\$ 137.03	\$ 449.61	Flood Barrier	Flood Barrier Shield 20" high, inside mount
<b>2070A-24</b>	\$ 170.20	\$ 558.45	Flood Barrier	Flood Barrier Shield 24" high, inside mount
<b>2070A-30</b>	\$ 209.53	\$ 687.49	Flood Barrier	Flood Barrier Shield 30" high, inside mount
<b>2070A-36</b>	\$ 251.44	\$ 824.96	Flood Barrier	Flood Barrier Shield 36" high, inside mount
<b>2070N</b>	\$ 3.56	\$ 11.69	Replacement Gasket	.25" x .625" Closed Cell Sponge Neoprene - U Shape Extrusion
<b>2361AA**</b>	\$ 12.85	\$ 42.18	Threshold	Clear Anodized Ramp 3.94"(100.1) x .500"(12.7)
<b>2361BK**</b>	\$ 17.58	\$ 42.18	Threshold	Black Anodized Ramp 3.94"(100.1) x .500"(12.7)
<b>2361D**</b>	\$ 17.58	\$ 42.18	Threshold	Dark Bronze Anodized Ramp 3.94"(100.1) x .500"(12.7)
<b>2361G**</b>	\$ 17.58	\$ 42.18	Threshold	Gold Anodized Ramp 3.94"(100.1) x .500"(12.7)
<b>2673A**</b>	\$ 24.96	\$ 81.90	Threshold	Aluminum 3"(76.2) Traction Tread Nosing-Rubber
<b>2673BK**</b>	\$ 34.41	\$ 81.90	Threshold	Black Anodized 3"(76.2) Traction Tread Nosing-Rubber
<b>2673D**</b>	\$ 34.41	\$ 81.90	Threshold	Dark Bronze Anodized 3"(76.2) Traction Tread Nosing-Rubber
<b>2673G**</b>	\$ 34.41	\$ 81.90	Threshold	Gold Anodized 3"(76.2) Traction Tread Nosing-Rubber
<b>2673B**</b>	\$ 102.57	\$ 336.51	Threshold	Bronze 3"(76.2) Traction Tread Nosing - Rubber
<b>2676A**</b>	\$ 47.04	\$ 154.32	Threshold	Aluminum 6"(152.4) Traction Tread Nosing-Rubber
<b>2676BK**</b>	\$ 63.84	\$ 154.32	Threshold	Black Anodized 6"(152.4) Traction Tread Nosing-Rubber
<b>2676D**</b>	\$ 63.84	\$ 154.32	Threshold	Dark Bronze Anodized 6"(152.4) Traction Tread Nosing-Rubber
<b>2676G**</b>	\$ 63.84	\$ 154.32	Threshold	Gold Anodized 6"(152.4) Traction Tread Nosing-Rubber

\*\*Supplied without mounting holes.

PART NUMBER	LIST PRICE PER FOOT	LIST PRICE PER METER	TYPE	DESCRIPTION
<b>3056FS-AA</b>	\$ 38.21	\$ 125.39	Meeting Stile	Clear Anodized / Mortised Adjustable Astragal / Neoprene / Intumescent Fire Stop
<b>3056FS-BK</b>	\$ 45.89	\$ 150.57	Meeting Stile	Black Anodized / Mortised Adjustable / Neoprene / Intumescent Fire Stop
<b>3056FS-D</b>	\$ 45.89	\$ 150.57	Meeting Stile	Dark Bronze Anodized / Mortised Adjustable / Neoprene / Intumescent Fire Stop
<b>3056FS-G</b>	\$ 45.89	\$ 150.57	Meeting Stile	Gold Anodized / Mortised Adjustable Astragal / Neoprene / Intumescent Fire Stop
<b>3150N</b>	\$ 2.16	\$ 7.10	Replacement Gasket	.27"X.071" Self Extinguishing T Shape EPDM rubber-Extrusion
<b>3365EMI</b>	\$ 5.43	\$ 17.82	Replacement Gasket	.735" Wide Bulb Seal - Conductive Neoprene
<b>3365N</b>	\$ 5.42	\$ 17.79	Replacement Gasket	5/8" Wide Bottom Seal
<b>3544</b>	\$ 7.50	\$ 24.60	Door Sweep	Aluminum / Mortised / Brush
<b>3546</b>	\$ 7.50	\$ 24.60	Door Sweep	Aluminum / Mortised / Neoprene - FLO option available
<b>3551</b>	\$ 55.52	each	18 1/8"-36" (460-914)	Aluminum / Mortised Automatic Door Bottom Regular Duty
	\$ 62.92	each	36 1/8"-48" (917-1219)	
	\$ 77.13	each	48 1/8"-54" (1222-1371)	
<b>3552</b>	\$ 58.72	each	18 1/8"-36" (460-914)	Aluminum / Mortised / Regular Duty / Brush Automatic Door Bottom / Regular Duty
	\$ 66.54	each	36 1/8"-48" (917-1219)	
	\$ 81.57	each	48 1/8"-54" (1222-1371)	
<b>3557FS-AA</b>	\$ 38.21	\$ 125.39	Meeting Stile	Clear Anodized / Mortised Adjustable Astragal / Silicone / Intumescent Fire Stop
<b>3557FS-BK</b>	\$ 45.89	\$ 150.57	Meeting Stile	Black Anodized / Mortised Adjustable Astragal / Silicone / Intumescent Fire Stop
<b>3557FS-D</b>	\$ 45.89	\$ 150.57	Meeting Stile	Dark Bronze Anodized / Mortised Adjustable Astragal / Silicone / Intumescent Fire Stop
<b>3557FS-G</b>	\$ 45.89	\$ 150.57	Meeting Stile	Gold Anodized / Mortised Adjustable Astragal / Silicone / Intumescent Fire Stop
<b>3672A**</b>	\$ 15.13	\$ 49.62	Threshold	Aluminum 2"(50.8) Traction Tread Plate / Rubber
<b>3672BK**</b>	\$ 20.38	\$ 49.62	Threshold	Black Anodized 2"(50.8) Traction Tread Plate / Rubber
<b>3672D**</b>	\$ 20.38	\$ 49.62	Threshold	Dark Bronze Anodized 2"(50.8) Traction Tread Plate / Rubber
<b>3672G**</b>	\$ 20.38	\$ 49.62	Threshold	Gold Anodized 2"(50.8) Traction Tread Plate / Rubber
<b>3673A**</b>	\$ 22.42	\$ 73.57	Threshold	Aluminum 3"(76.2) Traction Tread Plate / Rubber insert
<b>3673BK**</b>	\$ 30.82	\$ 73.57	Threshold	Black Anodized 3"(76.2) Traction Tread Plate / Rubber insert
<b>3673D**</b>	\$ 30.82	\$ 73.57	Threshold	Dark Bronze Anodized 3"(76.2) Traction Tread Plate / Rubber insert
<b>3673G**</b>	\$ 30.82	\$ 73.57	Threshold	Gold Anodized 3"(76.2) Traction Tread Plate / Rubber insert
<b>3674A**</b>	\$ 30.00	\$ 98.44	Threshold	Aluminum 4"(101.6) Traction Tread Plate / Rubber insert
<b>3674BK**</b>	\$ 40.50	\$ 98.44	Threshold	Black Anodized 4"(101.6) Traction Tread Plate / Rubber insert
<b>3674D**</b>	\$ 40.50	\$ 98.44	Threshold	Dark Bronze Anodized 4"(101.6) Traction Tread Plate / Rubber insert
<b>3674G**</b>	\$ 40.50	\$ 98.44	Threshold	Gold Anodized 4"(101.6) Traction Tread Plate / Rubber insert
<b>3675A**</b>	\$ 36.71	\$ 120.45	Threshold	Aluminum 5"(127.0) Traction Tread Plate / Rubber insert
<b>3675BK**</b>	\$ 50.37	\$ 120.45	Threshold	Black Anodized 5"(127.0) Traction Tread Plate / Rubber insert
<b>3675D**</b>	\$ 50.37	\$ 120.45	Threshold	Dark Bronze Anodized 5"(127.0) Traction Tread Plate / Rubber insert
<b>3675G**</b>	\$ 50.37	\$ 120.45	Threshold	Gold Anodized 5"(127.0) Traction Tread Plate / Rubber insert
<b>3675A-E**</b>	\$ 80.00	\$ 262.49	Threshold	Aluminum 5"(127.0) Traction Tread Plate / Epoxy insert
<b>3675A-EL**</b>	\$ 106.13	\$ 348.21	Threshold	Aluminum 5"(127.0) Traction Tread Plate / Epoxy / Photoluminescent Tread insert
<b>3676A**</b>	\$ 44.23	\$ 145.15	Threshold	Aluminum 6"(152.4) Traction Tread Plate / Rubber / Photoluminescent Tread insert

\*\*Supplied without mounting holes.

PART NUMBER	LIST PRICE PER FOOT	LIST PRICE PER METER	TYPE	DESCRIPTION
<b>3676BK**</b>	\$ 58.94	\$ 145.15	Threshold	Black Anodized 6"(152.4) Traction Tread Plate / Rubber / Photoluminescent Tread insert
<b>3676D**</b>	\$ 58.94	\$ 145.15	Threshold	Dark Bronze Anodized 6"(152.4) Traction Tread Plate / Rubber / Photoluminescent Tread insert
<b>3676G**</b>	\$ 58.94	\$ 145.15	Threshold	Gold Anodized 6"(152.4) Traction Tread Plate / Rubber / Photoluminescent Tread insert
<b>3676N</b>	\$ 2.94	\$ 9.65	Replacement Gasket	.24"X.175" Tread Rubber for Aluminum Thresholds - Extrusion
<b>3708AA</b>	\$ 28.21	\$ 92.55	Gasketing	Clear Anodized / Magnet / Sound Trap
<b>3708N</b>	\$ 4.53	\$ 14.85	Gasketing	Closed Cell Neoprene, Black 1"(25.4) x 4"(10.2)
<b>3709AA</b>	\$ 28.21	\$ 92.55	Gasketing	Clear Anodized / Neoprene / Sound Trap
<b>3709BK</b>	\$ 36.61	\$ 92.55	Gasketing	Black Anodized / Neoprene / Sound Trap
<b>3709D</b>	\$ 36.61	\$ 92.55	Gasketing	Dark Bronze Anodized / Neoprene / Sound Trap
<b>3709G</b>	\$ 36.61	\$ 92.55	Gasketing	Gold Anodized / Neoprene / Sound Trap
<b>3831A</b>	\$ 10.42	\$ 34.17	Gasketing	Aluminum / Double Neoprene
<b>4000B</b>	\$ 10.90	\$ 35.77	Weather Stripping	Bronze Side Jamb without Return Flange 1 3/4"
<b>4000Z</b>	\$ 2.93	\$ 9.62	Weather Stripping	Zinc Side Jamb without Return Flange 1 3/4"
<b>5000B</b>	\$ 12.77	\$ 41.90	Weather Stripping	Bronze Side Jamb without Return Flange
<b>5000Z</b>	\$ 4.07	\$ 13.35	Weather Stripping	Zinc Side Jamb without Return Flange
<b>5831AA</b>	\$ 5.65	\$ 18.53	Gasketing	Clear Anodized / Silicone / PSA
<b>5831BK</b>	\$ 7.06	\$ 23.16	Gasketing	Black Anodized / Silicone / PSA
<b>5831D</b>	\$ 7.06	\$ 23.16	Gasketing	Dark Bronze Anodized / Silicone / PSA
<b>5831G</b>	\$ 7.06	\$ 23.16	Gasketing	Gold Anodized / Silicone / PSA
<b>5831FS-AA</b>	\$ 8.20	\$ 26.89	Gasketing	Clear Anodized / Silicone / Intumescent / PSA
<b>5831FS-BK</b>	\$ 9.80	\$ 32.14	Gasketing	Black Anodized / Silicone Intumet / PSA
<b>5831FS-D</b>	\$ 9.80	\$ 32.14	Gasketing	Dark Bronze Anodized / Silicone Intumet / PSA
<b>5831FS-G</b>	\$ 9.80	\$ 32.14	Gasketing	Gold Anodized / Silicone / Intumescent / PSA
<b>5831S-BK</b>	\$ 5.41	\$ 17.76	Replacement Gasket	.36" Wide Lip and Bulb Seal - Silicone - Black
<b>5832AA</b>	\$ 5.81	\$ 19.06	Gasketing	Clear Anodized / Brush / PSA
<b>5832BK</b>	\$ 7.06	\$ 23.16	Gasketing	Black Anodized / Poly Brush / PSA
<b>5832D</b>	\$ 7.06	\$ 23.16	Gasketing	Dark Bronze Anodized / Poly Brush / PSA
<b>5832G</b>	\$ 7.06	\$ 23.16	Gasketing	Gold Anodized / Poly Brush / PSA
<b>5832FS-AA</b>	\$ 8.42	\$ 27.63	Gasketing	Clear Anodized / Poly Brush / Intumescent / PSA
<b>5832FS-BK</b>	\$ 9.80	\$ 32.14	Gasketing	Black Anod. / Poly Brush / Intumescent / PSA
<b>5832FS-D</b>	\$ 9.80	\$ 32.14	Gasketing	Dark Bronze Anod. / Poly Brush / Intumescent / PSA
<b>5832FS-G</b>	\$ 9.80	\$ 32.14	Gasketing	Gold Anodized / Poly Brush / Intumescent
<b>5833AA</b>	\$ 5.65	\$ 18.53	Gasketing	Clear Anodized / Silicone / PSA
<b>5833BK</b>	\$ 7.06	\$ 23.16	Gasketing	Black Anodized / Silicone / PSA
<b>5833D</b>	\$ 7.06	\$ 23.16	Gasketing	Dark Bronze Anodized / Silicone / PSA
<b>5833G</b>	\$ 7.06	\$ 23.16	Gasketing	Gold Anodized / Silicone / PSA
<b>6570A**</b>	\$ 29.35	\$ 96.28	Threshold	Aluminum Handicap 7"(177.8) x .500"(12.7)
<b>6570BK**</b>	\$ 39.85	\$ 96.28	Threshold	Black Anod. Handicap 7"(177.8) x .500"(12.7)
<b>6570D**</b>	\$ 39.85	\$ 96.28	Threshold	Dark Bronze Anodized Handicap 7"(177.8) x .500"(12.7)
<b>6570G**</b>	\$ 39.85	\$ 96.28	Threshold	Gold Anod. Handicap 7"(177.8) x .500"(12.7)
<b>6575A**</b>	\$ 33.18	\$ 108.85	Threshold	Aluminum Threshold 7.5" (190.5)
<b>6575BK**</b>	\$ 45.78	\$ 108.85	Threshold	Black Anodized Threshold 7.5" (190.5)
<b>6575D**</b>	\$ 45.78	\$ 108.85	Threshold	Dark Bronze Anodized Threshold 7.5" (190.5)
<b>6575G**</b>	\$ 45.78	\$ 108.85	Threshold	Gold Anodized Threshold 7.5" (190.5)
<b>6710A**</b>	\$ 42.27	\$ 138.71	Threshold	Aluminum Plate 10" (254.0)
<b>6710BK**</b>	\$ 58.02	\$ 138.71	Threshold	Black Anodized Plate 10" (254.0)
<b>6710D**</b>	\$ 58.02	\$ 138.71	Threshold	Dark Bronze Anodized Plate 10" (254.0)
<b>6710G**</b>	\$ 58.02	\$ 138.71	Threshold	Gold Anodized Plate 10" (254.0)
<b>7000B</b>	\$ 103.93	\$ 340.99	Threshold	Bronze / Adj. Interlocking w/ #7336 or 7337

PART NUMBER	LIST PRICE PER FOOT	LIST PRICE PER METER	TYPE	DESCRIPTION
<b>7332B</b>	\$ 51.99	\$ 170.61	Threshold	Bronze / Interlocking - Extension Leg
<b>7334B</b>	\$ 104.01	\$ 341.25	Threshold	Bronze / Adjustable Interlocking 4" (101.6)
<b>7335B</b>	\$ 130.01	\$ 426.55	Threshold	Bronze / Adjustable Interlocking 5" (127)
<b>7350AA</b>	\$ 71.81	each	10"-18" (305-457)	Clear Anodized / Mortised Automatic Door Bottom for Sliding Doors
	\$ 54.28	each	18 1/8"-36" (460-914)	
	\$ 57.83	each	36 1/8"-48" (917-1219)	
	\$ 72.25	each	48 1/8"-54" (1222-1371)	
	\$ 90.39	each	54 1/8"-60" (1375-1524)	
<b>7700AA*</b>	\$ 28.14	\$ 92.32	Gasketing	Clear Anodized, Adjustable Sound Seal
<b>7700BK*</b>	\$ 35.94	\$ 117.90	Gasketing	Black Anodized, Adjustable Sound Seal
<b>7700D*</b>	\$ 35.94	\$ 117.90	Gasketing	Dark Bronze Anod., Adjustable Sound Seal
<b>7700G*</b>	\$ 35.94	\$ 117.90	Gasketing	Gold Anodized, Adjustable Sound Seal
<b>7700N</b>	\$ 2.80	\$ 9.21	Replacement Gasket	.32" Wide Elongated Bulb Seal - Neoprene
<b>8004N</b>	\$ 2.07	\$ 6.78	Gasketing	Neoprene Kerf Seal
<b>8042S-BK</b>	\$ 1.67	\$ 5.46	Gasketing	Silicone Kerf Seal / Black / PSA
<b>8043N</b>	\$ 2.35	\$ 7.69	Gasketing	Neoprene Kerf Seal / Black
<b>8047R</b>	\$ 4.33	\$ 14.20	Replacement Gasket	Replacement EPDM Rubber Seal for overhead door
<b>8048S-BK</b>	\$ 2.00	\$ 6.59	Gasketing	Silicone Kerf Seal / Black
<b>8049 R</b>	\$ 5.56	\$ 18.24	Gasketing	EPDM Rubber Seal for Overhead Doors with Aluminum mounting strip
<b>8052N</b>	\$ 2.00	\$ 6.59	Gasketing	Kerf Sponge Seal
<b>8053Q-BR</b>	\$ 2.13	\$ 6.98	Gasketing	Kerf Foam Seal, Brown
<b>8053Q-WH</b>	\$ 2.13	\$ 6.98	Gasketing	Kerf Foam Seal, White
<b>8054S-BK</b>	\$ 2.67	\$ 8.74	Gasketing	Kerf Pressure Seal, Silicone Black ø .250"
<b>8054S-WH</b>	\$ 2.67	\$ 8.74	Gasketing	Kerf Pressure Seal, Silicone White ø .250"
<b>8055S-BK</b>	\$ 3.15	\$ 10.35	Gasketing	Kerf Pressure Seal, Silicone Black ø .375"
<b>8056S-WH</b>	\$ 3.15	\$ 10.35	Gasketing	Kerf Pressure Seal, Silicone White ø .438"
<b>8136</b>	\$ 7.54	\$ 24.72	Meeting Stile	Polycarbonate Seal / Brush .394"(10)
<b>8136P-GY</b>	\$ 1.98	\$ 6.52	Replacement Gasket	.188" x .250 Woven Pile with Fin - Gray
<b>8137</b>	\$ 7.66	\$ 25.12	Meeting Stile	Polycarbonate Seal / Brush .472"(12)
<b>8138</b>	\$ 8.78	\$ 28.83	Meeting Stile	Polycarbonate Seal / Brush .590"(15)
<b>8144S-BK</b>	\$ 2.87	\$ 9.41	Gasketing	Silicone / Batwing Type / Black / PSA
<b>8144S-WH</b>	\$ 2.87	\$ 9.41	Gasketing	Silicone / Batwing Type / White / PSA
<b>8144FS</b>	\$ 3.89	\$ 12.75	Gasketing	Intumescent Batwing Type Seal / PSA
<b>8145S-BK</b>	\$ 1.82	\$ 5.99	Gasketing	Silicone / Black / PSA
<b>8149AA</b>	\$ 6.34	\$ 20.79	Gasketing	Clear Anodized / Brush / Mortised
<b>8150S-BK</b>	\$ 2.13	\$ 7.00	Gasketing	Silicone, black, PSA
<b>8151AA</b>	\$ 6.55	\$ 21.80	Door Sweep	Aluminum / Neoprene
<b>8172N</b>	\$ 1.07	\$ 3.50	Replacement Gasket	Neoprene / PSA .250"(6.4) x .125"(3.2) - Minimum order 75'(22.8M) Roll UOM
<b>8191AA</b>	\$ 6.29	\$ 20.66	Gasketing	Clear Anodized / Neoprene
<b>8191BK</b>	\$ 8.63	\$ 28.31	Gasketing	Black Anodized / Neoprene
<b>8191D</b>	\$ 8.63	\$ 28.31	Gasketing	Dark Bronze Anodized / Neoprene
<b>8191G</b>	\$ 8.63	\$ 28.31	Gasketing	Gold Anodized / Neoprene
<b>8192AA</b>	\$ 4.85	\$ 15.90	Door Sweep	Clear Anodized / .625" long Brush
<b>8192BK</b>	\$ 6.70	\$ 21.98	Door Sweep	Black Anodized / .625" long Brush
<b>8192D</b>	\$ 6.70	\$ 21.98	Door Sweep	Dark Bronze Anodized / .625" long Brush
<b>8192G</b>	\$ 6.70	\$ 21.98	Door Sweep	Gold Anodized / .625" long Brush
<b>8192AA-PSA</b>	\$ 6.27	\$ 20.57	Meeting Stile	Clear Anodized / Brush / Adhesive
<b>8192BK-PSA</b>	\$ 7.29	\$ 23.91	Meeting Stile	Black Anodized / Brush / Adhesive
<b>8192D-PSA</b>	\$ 7.29	\$ 23.91	Meeting Stile	Dark Bronze Anodized / Brush / Adhesive
<b>8192G-PSA</b>	\$ 7.29	\$ 23.91	Meeting Stile	Gold Anodized / Brush / Adhesive
<b>8193AA</b>	\$ 4.56	\$ 14.97	Door Sweep	Clear Anodized / .375" long Brush
<b>8193BK</b>	\$ 5.63	\$ 18.46	Door Sweep	Black Anodized / .375" long Brush
<b>8193D</b>	\$ 5.63	\$ 18.46	Door Sweep	Dark Bronze Anodized / .375" long Brush
<b>8193G</b>	\$ 5.63	\$ 18.46	Door Sweep	Gold Anodized / .375" long Brush
<b>8193AA-PSA</b>	\$ 5.99	\$ 19.64	Meeting Stile	Clear Anodized / .375" Brush / Adhesive
<b>8193BK-PSA</b>	\$ 7.12	\$ 23.34	Meeting Stile	Black Anodized / .375" Brush / Adhesive
<b>8193D-PSA</b>	\$ 7.12	\$ 23.34	Meeting Stile	Dark Bronze Anod. / .375" Brush / Adhesive
<b>8193G-PSA</b>	\$ 7.12	\$ 23.34	Meeting Stile	Gold Anodized / .375" Brush / Adhesive
<b>8193P</b>	\$ 3.13	\$ 10.28	Replacement Gasket	Replacement Pile Brush for 8193
<b>8194AA</b>	\$ 4.56	\$ 14.97	Door Sweep	Clear Anodized / Neoprene Lip
<b>8194BK</b>	\$ 5.63	\$ 18.46	Door Sweep	Black Anodized / Neoprene Lip
<b>8194D</b>	\$ 5.63	\$ 18.46	Door Sweep	Dark Bronze Anodized / Neoprene Lip
<b>8194G</b>	\$ 5.63	\$ 18.46	Door Sweep	Gold Anodized / Neoprene Lip
<b>8194AA-PSA</b>	\$ 5.99	\$ 19.64	Meeting Stile	Clear Anodized / Neoprene Lip / Adhesive
<b>8194BK-PSA</b>	\$ 7.12	\$ 23.34	Meeting Stile	Black Anodized / Neoprene Lip / Adhesive
<b>8194D-PSA</b>	\$ 7.12	\$ 23.34	Meeting Stile	Dark Bronze Anodized / Neoprene Lip / Adhesive

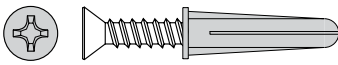
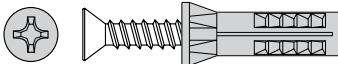
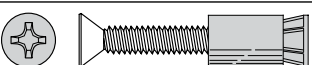
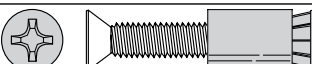

PART NUMBER	LIST PRICE PER FOOT	LIST PRICE PER METER	TYPE	DESCRIPTION
<b>8194G-PSA</b>	\$ 7.12	\$ 23.34	Meeting Stile	Gold Anodized / Neoprene Lip / Adhesive
<b>8194N</b>	\$ 2.47	\$ 8.11	Replacement Gasket	.53" Long Lip Seal - EPDM
<b>8195AA</b>	\$ 5.65	\$ 18.53	Meeting Stile	Clear Anodized / Neoprene Lip
<b>8195BK</b>	\$ 7.75	\$ 18.53	Meeting Stile	Black Anodized / Neoprene Lip
<b>8195D</b>	\$ 7.75	\$ 18.53	Meeting Stile	Dark Bronze Anodized / Neoprene Lip
<b>8195G</b>	\$ 7.75	\$ 18.53	Meeting Stile	Gold Anodized / Neoprene Lip
<b>8195AA-PSA</b>	\$ 7.41	\$ 24.30	Meeting Stile	Clear Anodized / Neoprene Lip / Adhesive
<b>8195BK-PSA</b>	\$ 7.41	\$ 24.30	Meeting Stile	Black Anodized / Neoprene Lip / Adhesive
<b>8195D-PSA</b>	\$ 7.41	\$ 24.30	Meeting Stile	Dark Bronze Anodized / Neoprene Lip / Adhesive
<b>8195G-PSA</b>	\$ 7.41	\$ 24.30	Meeting Stile	Gold Anodized / Neoprene Lip / Adhesive
<b>8197AA</b>	\$ 6.06	\$ 19.89	Door Sweep	Clear Anodized Drip Cap / Neoprene
<b>8197BK</b>	\$ 8.31	\$ 27.27	Door Sweep	Black Anodized Drip Cap / Neoprene
<b>8197D</b>	\$ 8.31	\$ 27.27	Door Sweep	Dark Bronze Anodized Drip Cap / Neoprene
<b>8197G</b>	\$ 8.31	\$ 27.27	Door Sweep	Gold Anodized Drip Cap / Neoprene
<b>8197N</b>	\$ 4.11	\$ 13.48	Replacement Gasket	1.063" Tapered Lip Seal - EPDM
<b>8198AA</b>	\$ 6.29	\$ 20.66	Door Sweep	Clear Anodized Drip Cap / Brush Seal
<b>8198BK</b>	\$ 8.63	\$ 28.31	Door Sweep	Black Anodized Rain Drip / Brush
<b>8198D</b>	\$ 8.63	\$ 28.31	Door Sweep	Dark Bronze Anodized Drip Cap / Brush
<b>8198G</b>	\$ 8.63	\$ 28.31	Door Sweep	Gold Anodized Rain Drip / Brush
<b>8198P</b>	\$ 4.47	\$ 14.69	Replacement Gasket	.625" Nylon Brush
<b>8216S-BK</b>	\$ 1.49	\$ 4.68	Weather Stripping	Pressure seal, silicone, black, PSA
<b>8217S-BK</b>	\$ 1.49	\$ 4.68	Meeting Stile	Silicone lips, black, PSA
<b>8302AA</b>	\$ 3.10	\$ 10.18	Gasketing	Clear Anodized & Neoprene Seal
<b>8302BK</b>	\$ 4.98	\$ 16.35	Gasketing	Black Anodized & Neoprene Seal
<b>8302D</b>	\$ 4.98	\$ 16.35	Gasketing	Dark Bronze Anodized & Neoprene Seal
<b>8302G</b>	\$ 4.98	\$ 16.35	Gasketing	Gold Anodized & Neoprene Seal
<b>8302N</b>	\$ 2.11	\$ 6.93	Replacement Gasket	45 Degree LEG Seal - Neoprene
<b>8303AA</b>	\$ 3.10	\$ 10.18	Gasketing	Clear Anodized & Neoprene Seal
<b>8303BK</b>	\$ 4.98	\$ 16.35	Gasketing	Black Anodized & Neoprene Seal
<b>8303D</b>	\$ 4.98	\$ 16.35	Gasketing	Dark Bronze Anodized & Neoprene Seal
<b>8303G</b>	\$ 4.98	\$ 16.35	Gasketing	Gold Anodized & Neoprene Seal
<b>8303S-BK</b>	\$ 1.50	\$ 4.94	Replacement Gasket	1/4" Bulb Seal-Silicone
<b>8305AA</b>	\$ 4.06	\$ 13.31	Gasketing	Clear Anodized with Brush
<b>8305BK</b>	\$ 6.51	\$ 21.38	Gasketing	Black Anodized with Brush
<b>8305D</b>	\$ 6.51	\$ 21.38	Gasketing	Dark Bronze Anodized with Brush
<b>8305G</b>	\$ 6.51	\$ 21.38	Gasketing	Gold Anodized with Brush
<b>8306AA</b>	\$ 4.06	\$ 13.31	Gasketing	Clear Anodized with Neoprene
<b>8306D</b>	\$ 6.51	\$ 21.38	Gasketing	Dark Bronze Anodized with Neoprene
<b>8353N</b>	\$ 3.51	\$ 11.52	Replacement Gasket	.469" Wide Open Bulb Seal-Neoprene
<b>8361Key</b>	\$ 3.45	each	General	Locking Key for Automatic Door Bottom
<b>8452A</b>	\$ 15.42	\$ 50.58	Threshold	Wheel Chair Shower Threshold
<b>8452BK</b>	\$ 21.20	\$ 50.58	Threshold	Black Anod. Wheel Chair Shower Threshold
<b>8452D</b>	\$ 21.20	\$ 50.58	Threshold	Dark Bronze Anodized Wheel Chair Shower Threshold
<b>8452G</b>	\$ 21.20	\$ 50.58	Threshold	Gold Anod. Wheel Chair Shower Threshold
<b>8452N</b>	\$ 6.74	\$ 22.13	Replacement Gasket	2" Wide Threshold Seal-EPDM Rubber
<b>8557S-BK</b>	\$ 3.92	\$ 12.86	Replacement Gasket	Silicone Double Lip Seal W/ Compressive Bulb
<b>8655A</b>	\$ 11.27	\$ 37.00	Threshold	Aluminum Handicap Threshold 5" (127)
<b>8655BK</b>	\$ 15.48	\$ 37.00	Threshold	Black Anod. Handicap Threshold 5" (127)
<b>8655D</b>	\$ 15.48	\$ 37.00	Threshold	Dark Bronze Anodized Handicap Threshold 5" (127)
<b>8655G</b>	\$ 15.48	\$ 37.00	Threshold	Gold Anod. Handicap Threshold 5" (127)
<b>8724A</b>	\$ 24.56	\$ 80.58	Threshold	Aluminum 5 5/8" (142.9). Thermal Break
<b>8724BK</b>	\$ 34.01	\$ 80.58	Threshold	Black Anod. 5 5/8" (142.9). Thermal Break
<b>8724D</b>	\$ 34.01	\$ 80.58	Threshold	Dark Bronze Anodized 5 5/8" (142.9). Thermal Break
<b>8724G</b>	\$ 34.01	\$ 80.58	Threshold	Gold Anod. 5 5/8" (142.9). Thermal Break
<b>8726A</b>	\$ 29.71	\$ 97.47	Threshold	Aluminum 7 5/8" (193.7). Thermal Break
<b>8726BK</b>	\$ 40.20	\$ 97.47	Threshold	Black Anod. 7 5/8" (193.7). Thermal Break
<b>8726D</b>	\$ 40.20	\$ 97.47	Threshold	Dark Bronze Anodized 7 5/8" (193.7). Thermal Break
<b>8726G</b>	\$ 40.20	\$ 97.47	Threshold	Gold Anod. 7 5/8" (193.7). Thermal Break
<b>8729A</b>	\$ 33.11	\$ 108.63	Threshold	Aluminum 6 5/8" (168.3). Thermal Break/Neoprene
<b>8729BK</b>	\$ 44.67	\$ 108.63	Threshold	Black Anodized 6 5/8" (168.3). Thermal Break / Neoprene
<b>8729D</b>	\$ 44.67	\$ 108.63	Threshold	Dark Bronze Anodized 6 5/8" (168.3). Thermal Break / Neoprene

PART NUMBER	LIST PRICE PER FOOT	LIST PRICE PER METER	TYPE	DESCRIPTION
8729G	\$ 44.67	\$ 108.63	Threshold	Gold Anodized 6 5/8"(168.3). Thermal Break / Neoprene
8770N	\$ 2.37	\$ 7.79	Replacement Gasket	Neoprene / PSA .500"(12.7) x .125"(3.2) , minimum order 75Ft.(22.8M), order in UOM
8780N	\$ 2.44	\$ 8.02	Replacement Gasket	Neoprene / PSA 1"(25.4) x .094"(2.4)
8800S-BK	\$ 2.73	\$ 8.97	Gasketing	Silicone Black Kerf Seal
8800S-WH	\$ 2.73	\$ 8.97	Gasketing	Silicone White Kerf Seal
8810S-BK	\$ 2.35	\$ 7.69	Gasketing	Silicone Black Kerf Seal
8810S-WH	\$ 2.35	\$ 7.69	Gasketing	Silicone White Kerf Seal
8841R	\$ 2.00	\$ 6.59	Gasketing	Kerf Seal rubber, black
8877AA	\$ 5.88	\$ 19.28	Gasketing	Clear Anodized / Neoprene Seal
8877BK	\$ 8.19	\$ 19.28	Gasketing	Black Anodized / Neoprene Seal
8877D	\$ 8.19	\$ 19.28	Gasketing	Dark Bronze Anodized / Neoprene Seal
8877G	\$ 8.19	\$ 19.28	Gasketing	Gold Anodized / Neoprene Seal
8878AA	\$ 5.65	\$ 18.53	Gasketing	Clear Anodized / Silicone Seal
8878BK	\$ 7.85	\$ 18.53	Gasketing	Black Anodized / Silicone Seal
8878D	\$ 7.85	\$ 18.53	Gasketing	Dark Bronze Anodized / Silicone Seal
8878G	\$ 7.85	\$ 18.53	Gasketing	Gold Anodized / Silicone Seal
8878BIO-BR	\$ 2.37	\$ 7.79	Replacement Gasket	.36" Wide Snap-on Cover-Silicone-brown BIO
8878N-BK	\$ 1.12	\$ 3.69	Replacement Gasket	.36" Wide Snap-on Cover - EPDM Rubber black
8879AA	\$ 6.36	\$ 20.86	Gasketing	Clear Anodized / Brush Seal
8879BK	\$ 8.88	\$ 20.86	Gasketing	Black Anodized / Brush Seal
8879D	\$ 8.88	\$ 20.86	Gasketing	Dark Bronze Anodized / Brush Seal
8879G	\$ 8.88	\$ 20.86	Gasketing	Gold Anodized / Brush Seal
8879AA-PSA	\$ 7.15	\$ 23.45	Meeting Stile	Clear Anodized / Brush Seal / Adhesive
8879BK-PSA	\$ 9.93	\$ 23.45	Meeting Stile	Black Anodized / Brush Seal / Adhesive
8879D-PSA	\$ 9.93	\$ 23.45	Meeting Stile	Dark Bronze Anod. / Brush Seal / Adhesive
8879G-PSA	\$ 9.93	\$ 23.45	Meeting Stile	Gold Anodized / Brush Seal / Adhesive
8880AA	\$ 11.33	\$ 37.16	Gasketing	Clear Anodized frame, acoustical
8880D	\$ 13.61	\$ 44.63	Gasketing	Dark Bronze Anodized frame, acoustical
9131-PSA	\$ 4.65	\$ 15.27	Weather Stripping	PVC Bumper, PSA, .750"x.188"
9137-PSA	\$ 11.62	\$ 38.12	Weather Stripping	PVC/Neoprene for Sliding Glass Doors
9137S-CL	\$ 4.52	\$ 14.83	Replacement Gasket	.906" Tall Silicone Lip Seal
9495Tape	\$ 29.26	each	General	3M Double-coated Clear Tape - .250" wide - 180' (54.9M) Roll Minimum Order and UOM
3062375PSA	\$ 1.41	\$ 4.62	Intumescent	FS3003 Intumet 1/16" (1.6) x 3/8" (9.5)
3062500PSA	\$ 1.94	\$ 6.35	Intumescent	FS3003 Intumet 1/16" (1.6) x 1/2" (12.7)
3062750PSA	\$ 2.60	\$ 8.54	Intumescent	FS3003 Intumet 1/16" (1.6) x 3/4" (19.1)

PART NUMBER	LIST PRICE PER FOOT	LIST PRICE PER METER	TYPE	DESCRIPTION
30621000PSA	\$ 4.15	\$ 13.61	Intumescent	FS3003 Intumet 1/16" (1.6) x 1" (25.4)
30622000PSA	\$ 4.15	\$ 13.61	Intumescent	FS3003 Intumet 1/16" (1.6) x 2" (50.8)
3125375PSA	\$ 1.94	\$ 6.35	Intumescent	FS3003 Intumet 1/8" (3.2) x 3/8" (9.5)
3125500PSA	\$ 2.61	\$ 8.54	Intumescent	FS3003 Intumet 1/8" (3.2) x 1/2" (12.7)
3125625PSA	\$ 3.15	\$ 10.33	Intumescent	FS3003 Intumet 1/8" (3.2) x 5/8" (15.9)
3125750PSA	\$ 3.42	\$ 11.24	Intumescent	FS3003 Intumet 1/8" (3.2) x 3/4" (19.1)
31251000PSA	\$ 4.15	\$ 13.61	Intumescent	FS3003 Intumet 1/8" (3.2) x 1" (25.4)
31252000PSA	\$ 6.23	\$ 20.42	Intumescent	FS3003 Intumet 1/8" (3.2) x 2" (50.8)
3250375PSA	\$ 3.42	\$ 11.24	Intumescent	FS3003 Intumet 1/4" (6.4) x 3/8" (9.5)
3250500PSA	\$ 4.15	\$ 13.61	Intumescent	FS3003 Intumet 1/4" (6.4) x 1/2" (12.7)
3250750PSA	\$ 5.50	\$ 18.04	Intumescent	FS3003 Intumet 1/4" (6.4) x 3/4" (19.1)
32501000PSA	\$ 6.83	\$ 22.39	Intumescent	FS3003 Intumet 1/4" (6.4) x 1" (25.4)
32502000PSA	\$ 10.25	\$ 33.62	Intumescent	FS3003 Intumet 1/4" (6.4) x 2" (50.8)
4062375PSA	\$ 1.41	\$ 4.62	Intumescent	FS4004 Intumet 1/16" (1.6) x 3/8" (9.5)
4062500PSA	\$ 1.49	\$ 4.89	Intumescent	FS4004 Intumet 1/16" (1.6) x 1/2" (12.7)
4062750PSA	\$ 1.94	\$ 6.35	Intumescent	FS4004 Intumet 1/16" (1.6) x 3/4" (19.1)
40621000PSA	\$ 2.61	\$ 8.54	Intumescent	FS4004 Intumet 1/16" (1.6) x 1" (25.4)
40622000PSA	\$ 4.15	\$ 13.61	Intumescent	FS4004 Intumet 1/16" (1.6) x 2" (50.8)
4125375PSA	\$ 1.94	\$ 6.35	Intumescent	FS4004 Intumet 1/8" (1.6) x 3/8" (9.5)
4125500PSA	\$ 2.60	\$ 8.54	Intumescent	FS4004 Intumet 1/8" (1.6) x 1/2" (12.7)
4125750PSA	\$ 3.42	\$ 11.24	Intumescent	FS4004 Intumet 1/8" (1.6) x 3/4" (19.1)
41251000PSA	\$ 4.15	\$ 13.61	Intumescent	FS4004 Intumet 1/8" (1.6) x 1" (25.4)
41252000PSA	\$ 6.23	\$ 20.42	Intumescent	FS4004 Intumet 1/8" (1.6) x 2" (50.8)
4250375PSA	\$ 3.42	\$ 11.24	Intumescent	FS4004 Intumet 1/4" (6.4) x 3/8" (9.5)
4250500PSA	\$ 4.15	\$ 13.61	Intumescent	FS4004 Intumet 1/4" (6.4) x 1/2" (12.7)
4250750PSA	\$ 5.50	\$ 18.04	Intumescent	FS4004 Intumet 1/4" (6.4) x 3/4" (19.1)
42501000PSA	\$ 6.83	\$ 22.39	Intumescent	FS4004 Intumet 1/4" (6.4) x 1" (25.4)
42502000PSA	\$ 10.25	\$ 33.62	Intumescent	FS4004 Intumet 1/4" (6.4) x 2" (50.8)
STC3003X062	\$ 4.34	/sqft.	Intumescent	Sound Sheet 12"(304.8)x1/16"(1.6). 19 STC
STC3003X125	\$ 5.78	/sqft.	Intumescent	Sound Sheet 12"(304.8)x1/8"(3.2). 24 STC
STC3003X250	\$ 10.13	/sqft.	Intumescent	Sound Sheet 12"(304.8)x1/4"(6.4)
STC3003X375	\$ 14.47	/sqft.	Intumescent	Sound Sheet 12"(304.8)x3/8"(9.5)
Z950	\$ 205.52	each	Cam Lift Hinge	Stainless Steel Cam Lift - Handed - (32D)5"(127) x 4.5"(114.3) x .250"(6.4)
Z953	\$ 133.62	each	Cam Lift Hinge	Stainless Steel Cam Lift - Handed - (32D) 5"(127) x 4.5"(114.3) x .180"(4.6)
Z955	\$ 109.62	each	Cam Lift Hinge	Stainless Steel Cam Lift - Handed - (32D) 4.5"(114.3) x 4.5"(114.3) x .134"(3.4)
Z9500	\$ 228.49	each	Cam Lift Hinge	Stainless Steel Cam Lift - Handed (32D) 5"(127) x 4.5"(114.3) x .250"(6.4)

# REPLACEMENT PARTS/EXTRAS

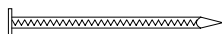
## EXPANSION SHIELD/ ANCHORS

Model	Description		Part Number	Pkg Quantity	List price
#221	Plastic Shield with #10 x 1-1/4" (or 1-1/2", 1-3/4") Flat Phillips SMS		47257389	4	\$2.64 / pack
#222	Lead Shield with #10 x 1-1/4" (or 1-1/2", 1-3/4") Flat Phillips SMS		47257390	4	\$2.68 / pack
#223	MSLA-10 Anchor with #10-24 x 1-1/2" Flat Phillips Machine Screw		47257391	4	\$6.24 / pack
#224	MSLA-4 Anchor with #1/4-20 x 1-1/2" Flat Phillips Machine Screw		47257392	4	\$6.24 / pack
#226	Stainless Steel Sleeve Anchor		47257393	4	\$18.96 / pack

## ANCHOR QUANTITIES BY THRESHOLD LENGTH

Model	<= 41"	>41" and <= 85"	>85" and <= 126"	>126" and <= 170"	>170" and <= 210"	>210"
525, 526	8	16	24	32	40	48
8729	12	20	28	36	44	52
All Other	4	8	12	16	20	24

## NAILS



Model	Description	Part Number	List price
16	7/8" (22.2) Zinc Plated Flathead Steel Nail	47252116	\$33.18 / lb.
16	7/8" (22.2) Copper Plated Flathead Nail	47255961	\$33.18 / lb.

(Note: 1 lb. contains ~1300 pcs. Minimum order 1lb.)

## SECURITY SCREWS

Finish for D, BK and G Torx Screws are available upon request. CALL for price.

Models	Category	Part Number	Finish	Details	List Price
1, 31, 32, 33, 39, 44, 47, 50, 52, 53, 55, 72, 95, 96, 98, 99, 100, 110, 111, 139, 140, 141, 142, 153, 154, 155, 254, 255, 270, 272, 312, 314, 318, 322, 326, 328, 329, 339, 376, 381, 429, 452, 470, 472, 475, 477, 478, 485, 539, 555, 570, 712, 870, 871, 873, 905, 1370, 3709, 8049, 8149, 8151, 8191, 8192, 8193, 8194, 8195, 8197, 8198, 8302, 8303, 8305, 8306, 8877, 8878, 8879, 111FS, 302FS, 328FS, 339FS, 339W, 39W, 50M, 555FS, 55FS, 639W, 973BIO, 511, 51, 951, 972BIO Z49: 320, 323, 350, 360, 364, 369	HNJ AND FG	47259852	A OR AA	QUANTITY 12 #6X1 BUTTON SEC TORX SMS, CLR ZP	\$15.00
170, 770, 770FS, 7770	ADJ	47259939	AA, SP, OR STST	QUANTITY 19 #8X1-1/2" FLAT SEC TORX SMS, CLR ZP	\$18.00
383, 383FS	STILES	47259975	AA	QUANTITY 10 #8X3/4" FLAT SEC TORX SMS, CLR ZP	\$10.00
352, 362, 366, 368	ADB	47259741	AA	QUANTITY 11 #8X1-1/2" FLAT SEC TORX SMS, CLR ZP	\$10.00
321, 351, 361, 365, 367	ADB	47259744	AA	QUANTITY 11 #8X1-1/2" BUTTON SEC TORX SMS, CLR ZP	\$35.00

## END CAP SETS

Models	Part Number	Details	Finish	List price
Z49: 320, 323, 350, 360, 364, 369	47252145	2 Endcaps and 8 Screws	USP	11.83
321A	47253671	4 Endcaps and 2 Screws for Both Handings	A	5.46
321	47253671-695	4 Endcaps and 2 Screws for Both Handings	G, D, BK	5.46
320, 323	47251270	2 Endcaps and 4 Screws	AA	5.46
350, 360, 364, 369	47251371	2 Endcaps and 4 Screws	AA	5.46
351, 352	47251332	2 Endcaps and 4 Screws	AA	5.46
351, 352	47251332-695	2 Endcaps and 4 Screws	D, BK	5.46
361, 362, 365, 366, 367, 368	47251383	2 Endcaps and 4 Screws	AA	5.46
361, 362, 365, 366, 367, 368	47251383-695	2 Endcaps and 4 Screws	D, BK	5.46
362, 366, 368	47253705	2 Endcaps and 4 Screws	All Finishes	5.69
477	47255366	2 End Caps and 4 Screws	A, AA	5.25

## SCREW PACKS- ADBS

Models	Category	Part Number	Finish	Details	List Price
320, 323, 350, 355, 360, 364, 369, 3551, 3552	ADB	47253854	AA	22 Screws #6 x 3/4" PPHSDS	4.00
321, 351, 361, 365, 367 up to 108"	ADB	47253868-00	AA	11 Screws #8 x 1-1/2" Truss PHSMS ZP	4.00
321, 351, 361, 365, 367 up to 108"	ADB	47253868-34	G	11 Screws #8 x 1-1/2" Truss PHSMS Gold ZP	30.00
321, 351, 361, 365, 367 up to 108"	ADB	47253868-695	D, BK	11 Screws #8 x 1-1/2" Truss PHSMS Black ZP	4.00
352, 362, 366, 368	ADB	47257743	AA	4- #8 x 1-1/2" Flat Torx SMS, ZP	4.00
352, 362, 366, 368	ADB	47253866-00	AA	11 Screws #8 x 1-1/2" FPHSMS	4.00
352, 362, 366, 368 up to 108"	ADB	47253866-34	G	11 Screws #8 x 1-1/2" FPHSMS - Gold ZP	30.00
352, 362, 366, 368 up to 108"	ADB	47253866-695	D, BK	11 Screws #8 x 1-1/2" FPHSMS - Black ZP	4.00

www.zerointernational.com

# REPLACEMENT PARTS/EXTRAS

## SCREW PACKS- HEAD AND JAMB

Models	Category	Part Number	Finish	Details	List Price
170, 770, 770D, 770SP, 770STST	Head & Jamb	47254760	AA	19 Screws #8x1-1/2" FPHSMS, ZP	4.00
170D, 770D, 770D	Head & Jamb	47254761	D, BK	19 Screws #8x1-1/2" FPHSMS, BLACK ZP	5.00
170G, 770G, 770G	Head & Jamb	47254762	G	19 Screws #8x1-1/2" FPHSMS, BRASS PLATE	65.00
11, 31, 32, 33, 39, 39W, 44STST, 47, 50, 50MA, 52, 53, 55, 55FS, 72, 95, 96, 98, 99, 100, 110, 111, 111FS, 139, 140, 140FS, 141, 142, 153, 154, 155, 253, 253FS, 254, 255, 270, 272, 302FS, 312, 314, 314PVC, 318, 322, 326, 326PVC, 328, 328PVC (AA OR A finish screw), 328FS, 329, 329PVC, 339, 339W, 339FS, 339PVC (AA or A finish screw), 376, 376D (AA finish screw), 381, 452, 470, 472, 475, 475D (gets AA finish screw), 475G (gets AA finish screw), 478, 478D (gets AA finish screw), 477, 477D (AA finish screw), 477G (AA finish screw), 485, 511, 539, 555, 555FS, 570, 639WA, 712, 870, 871, 873, 905, 1370, 3544, 3546, 3709, 8049R, 8149, 8151, 8191, 8192, 8193, 8194, 8195, 8197, 8198, 8302, 8303, 8305, 8306, 8877, 8878, 8879	Head & Jamb	47254771	AA, A	12 Screws #6x1 PPHSDS	9.00
11G, 31, 32, 33, 142, 302FS, 314, 326, 328, 329, 339, 339FS, 339W, 485, 8197, 8198	Head & Jamb	47254772	D, BK	12 Screws #6x1 PPHSDS, BLACK ZP	4.00
314, 302FS, 326, 328, 485, 31, 32, 33, 339, 339W, 328, 329, 8197, 339FS, 8198, 11, 142	Head & Jamb	47254773	G, B	12 Screws #6x1 PPHSDS, BRASS PLATE	42.00
41, 1840	Head & Jamb	47254801	AA, D, BK	10 Screws #6x3/4" FPHSMS, 10 SCREWS #6x3/4" FPHSMS Dark Bronzefinish, and 10 Screws #6x3/4" Gold Finish	20.00
429	Head & Jamb	47254804	A	10 Screws #10x3/4" PPHSDMS	2.96
43SP, 43STST	Head & Jamb	47254805	All Finishes	11 1/4-20X1 FPHMS, 11 1/4-20 Sex Bolts 1" Long, and 4 #10 x 3/4" PPHSDS	28.00
521FS	Head & Jamb	47254806	All Finishes	6 - Flanged #10 C-Sink Washer	4.00
383, 383FS	Head & Jamb	47254807	AA, D	10 - #8 x 3/4" FPHSMS and 10 #8 x 3/4" FPHSMS Black ZP	4.00
51A-90, 51A-120, 51A-180, 951, 971AA-BIO, 972AA-BIO, 974AA-BIO, 973AA-BIO,	Head & Jamb	47254808	A or AA	10 - #6x3/4" PPHSMS	4.00
56, 156, 557	Head & Jamb	47257629	All Finishes	20 - 8-32x5/8 OPHMS Steel ZP	20.00

## SCREW PACKS - THRESHOLDS

Models	Category	Part Number	Finish	Details	List Price
All "A" or "AA" Finish Thresholds and 93A	Threshold	47254099	A, AA	4 Screws #10X1-1/2 FPHSMS	4.00
All "D" or "BK" Finish Thresholds	Threshold	47254100	D, BK	4 Screws #10X1-1/2 FPHSMS Black ZP	4.00
All "B" or "G" Finish Thresholds	Threshold	47254101	B, G	4 Screws #10X1-3/4 FPHWS Brass	11.00
All "STST" Finish Thresholds	Threshold	47254102	STST	4 Screws #10X1-1/4 FPHSMS S.S.	4.00
Any Brass Threshold	Threshold	47257628	B	4 - #10X1-1/2" FPHWS, Brass	6.50
All - ORB Finish Thresholds	Threshold	47254101-10B	B-ORB	4 Screws #10X1-3/4 FPHWS Brass, Oil Rubbed	16.00

## SCREW PACKS - OTHER

Models	Category	Part Number	Finish	Details	List Price
2070A	Flood Barrier	47255200	A	10 - 7/6" Locking Plug, 16 - Thumb Screw Assemblies, 10 - #10x1-1/2" FPHSMS, and 10 - Plastic Anchors	60.00
328SPB, 770SPB, 870SPB	Strike Plate	47255358	All Finishes	3 - #12 x 1-1/4" FPHSMS S.S.	4.00
4B, 4Z, 5B, 5Z, 18B, 19B, 19WB, 23B, 400B, 400Z, 500B, 500Z, 4000B, 4000Z, 5000B, 5000Z	Weatherstripping	47253928	All Finishes	10 Nails #16x7/8" AND 10 5/16 Waferhead Drive Screws	4.00
Z950, Z953	Hinge	47253874	AA	8 Screws #12x3/4" FPHSMS S.S. and 8 Screws 12-24x3/4" UFPHMS S.S.	6.32
Z9500	Hinge	47253876	AA	8 Screws 5/16-18x3/4" FPHMS S.S.	5.00
Z955	Hinge	47253873	AA	8 Screws #12x1-1/4" FPHSMS S.S. and 8 Screws 12-24x3/4" UFPHMS S.S.	16.48





# Zero International - Custom Bulkhead Template

Company Name: \_\_\_\_\_

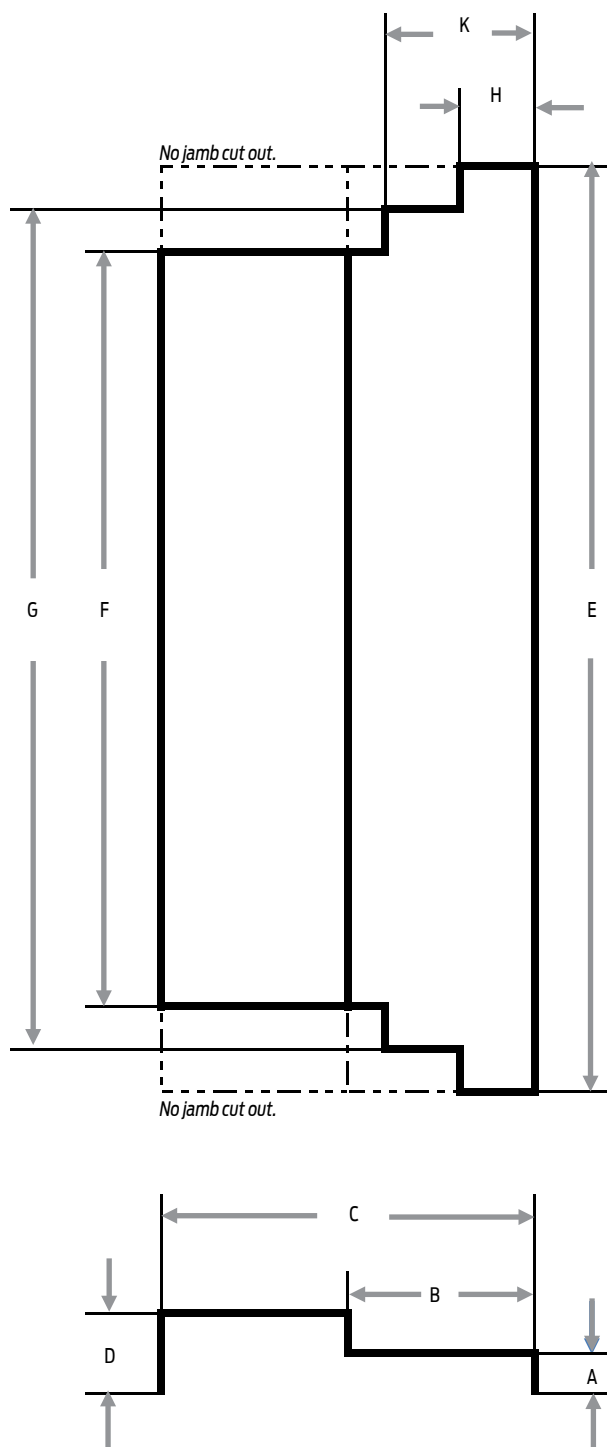
Contact: \_\_\_\_\_

Phone: \_\_\_\_\_

Email: \_\_\_\_\_

Purchase Order #: \_\_\_\_\_

Email to: Zero.Customer.Support@Allegion.com or Fax to: (800)851-0000



Please complete Qty.

Product	Desc.	Qty.
669A	Aluminum	
669S	Steel	
669STST	Stainless	

Please complete dimensions in inches or mm.

Must complete A-E, F-K optional if required.

	Dimension	Inches "	MM
Rectangular - No jamb cut outs	A minimum dimension 1"		
	B		
	C		
	D Can only be 1" greater than A		
	E		
Jamb Cut Outs	F		
	G		
	H		
	K		

## About Allegion

Allegion (NYSE: ALLE) creates peace of mind by pioneering safety and security. As a \$2 billion provider of security solutions for homes and businesses, Allegion employs more than 7,800 people and sells products in more than 120 countries across the world. Allegion comprises 23 global brands, including strategic brands CISA®, Interflex®, LCN®, Schlage® and Von Duprin®.

For more, visit [www.allegion.com](http://www.allegion.com)

KRYPTONITE ■ LCN ■  ■ STEELCRAFT ■ VON DUPRIN