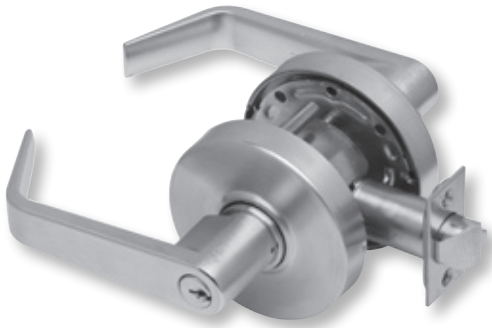
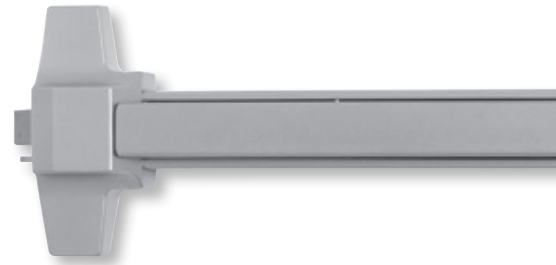




**DEXTER**<sup>®</sup>  
COMMERCIAL HARDWARE

# Price book 4

Effective April 3, 2021 • Rev. 04/21



**This price list supersedes and cancels all previous price lists. Prices shown are subject to change without notice.**

### **Administrative Offices**

Allegion Administrative Office  
11819 N. Pennsylvania St.  
Carmel, IN 46032  
allegion.com/us

### **Placing orders**

You can place orders with Allegion via the fax numbers or emails listed below:

Locks, Exits (panic devices), Closers  
Fax#: 1-800-452-0665  
Email: Allegion\_Orders@allegion.com

### **Customer Care**

Our Customer Care Representatives are available for questions or assistance.

You can reach them at **877-671-7011** (Press 1 for Sales Support | Press 2 for Product Support | Press 3 for RSO) or through the email addresses listed below:

### **Technical Product Support**

---

#### **Mechanical Locks/Keying Systems**

Mechanical\_Locks\_TechProdSupport@allegion.com

#### **Exit Devices**

Exits\_TechProdSupport@allegion.com

#### **Closers**

Closers\_TechProdSupport@allegion.com

#### **Templates and Install Instructions**

www.dextercommercialhardware.com

Contact Information ..... 2

**Locks**

C1000 Series ..... 4  
C2000 Series ..... 5  
Lock Accessories ..... 7

**Deadbolts**

DB1000 Series ..... 8  
DB2000 Series ..... 8

**Closers**

DCH1000 Series ..... 9  
DCH4000 Series ..... 9  
DCM1000 Series ..... 9  
DCL2000 Series ..... 9  
DCR8000 Series ..... 9  
Drop plates ..... 10

**Exit Devices**

ED1000 Series ..... 11  
ED1000 Series Trim and Accessories ..... 12  
ED1500 Series ..... 13  
ED1500 Series Trim and Accessories ..... 14

**Display Mounts**

Dexter Commercial Hardware White Wood Mounts ..... 15

**Policies and documents**  
The purchase of Allegion products is governed by the Allegion Authorized Seller Program. For program terms and conditions, and other program details, please visit: [www.allegion.com/AuthorizedSeller](http://www.allegion.com/AuthorizedSeller).  
  
For Warranty information, visit [us.allegion.com/warranty](http://us.allegion.com/warranty) or contact Customer Service at 877-671-7011.

# C1000 Series • Grade 1 cylindrical lock

- Grade 1, UL listed 3 hour
- 1 3/8" to 2" door range standard
- All functions include 1 1/8" x 2 1/4" square-corner beveled latch with 2 3/4" backset and ANSI 1 1/4" x 4 7/8" curved lip strike

**Note:** Master Carton Quantities: 4 for all UPCs

Product description	Lever Feature	Function	Trim	Finish	Cylinder	UPC #	List
C1000-PASS-R-626	Non-clutching	Passage (F75)	Regular	626	N/A	043156534692	\$201.55
C1000-PASS-R-613	Non-clutching	Passage (F75)	Regular	613	N/A	043156534708	\$224.89
C1000-PASS-C-626	Non-clutching	Passage (F75)	Curved	626	N/A	043156534715	\$201.55
C1000-PASS-C-613	Non-clutching	Passage (F75)	Curved	613	N/A	043156534722	\$224.89
C1000-PRIV-R-626	Non-clutching	Privacy (F76)	Regular	626	N/A	043156534739	\$217.50
C1000-PRIV-R-613	Non-clutching	Privacy (F76)	Regular	613	N/A	043156534746	\$243.45
C1000-PRIV-C-626	Non-clutching	Privacy (F76)	Curved	626	N/A	043156534753	\$217.50
C1000-PRIV-C-613	Non-clutching	Privacy (F76)	Curved	613	N/A	043156534760	\$243.45
C1000-ASYL-R-626-KDC	Clutching	Asylum (F87)	Regular	626	6-pin, Schlage C, KD	043156534777	\$273.69
C1000-ASYL-C-626-KDC	Clutching	Asylum (F87)	Curved	626	6-pin, Schlage C, KD	043156534784	\$273.69
C1000-ENTR-R-626-KDC	Clutching	Entry/Office (F109)	Regular	626	6-pin, Schlage C, KD	043156534791	\$227.54
C1000-NC-ENTR-R-626-KDC	Non-clutching	Entry/Office (F109)	Regular	626	6-pin, Schlage C, KD	043156557905	\$227.54
C1000-ENTR-R-613-KDC	Clutching	Entry/Office (F109)	Regular	613	6-pin, Schlage C, KD	043156534807	\$255.12
C1000-ENTR-R-626-SFIC	Clutching	Entry/Office (F109)	Regular	626	Less SFIC	043156534814	\$227.54
C1000-NC-ENTR-R-626-SFIC	Non-clutching	Entry/Office (F109)	Regular	626	Less SFIC	043156557912	\$227.54
C1000-ENTR-R-613-SFIC	Clutching	Entry/Office (F109)	Regular	613	Less SFIC	043156534869	\$255.12
C1000-ENTR-C-626-KDC	Clutching	Entry/Office (F109)	Curved	626	6-pin, Schlage C, KD	043156534838	\$227.54
C1000-ENTR-C-613-KDC	Clutching	Entry/Office (F109)	Curved	613	6-pin, Schlage C, KD	043156534845	\$255.12
C1000-ENTR-C-626-SFIC	Clutching	Entry/Office (F109)	Curved	626	Less SFIC	043156534852	\$227.54
C1000-ENTR-C-613-SFIC	Clutching	Entry/Office (F109)	Curved	613	Less SFIC	043156534821	\$255.12
C1000-CLRM-R-626-KDC	Clutching	Classroom (F84)	Regular	626	6-pin, Schlage C, KD	043156534876	\$227.54
C1000-CLRM-R-613-KDC	Clutching	Classroom (F84)	Regular	613	6-pin, Schlage C, KD	043156534883	\$255.12
C1000-CLRM-R-626-SFIC	Clutching	Classroom (F84)	Regular	626	Less SFIC	043156534890	\$227.54
C1000-CLRM-R-613-SFIC	Clutching	Classroom (F84)	Regular	613	Less SFIC	043156534906	\$255.12
C1000-CLRM-C-626-KDC	Clutching	Classroom (F84)	Curved	626	6-pin, Schlage C, KD	043156534913	\$227.54
C1000-CLRM-C-613-KDC	Clutching	Classroom (F84)	Curved	613	6-pin, Schlage C, KD	043156534920	\$255.12
C1000-CLRM-C-626-SFIC	Clutching	Classroom (F84)	Curved	626	Less SFIC	043156534937	\$227.54
C1000-CLRM-C-613-SFIC	Clutching	Classroom (F84)	Curved	613	Less SFIC	043156534944	\$255.12
C1000-CSEC-R-626-KDC	Clutching	Classroom Security (F88)	Regular	626	6-pin, Schlage C, KD	043156534951	\$273.69
C1000-CSEC-R-613-KDC	Clutching	Classroom Security (F88)	Regular	613	6-pin, Schlage C, KD	043156534968	\$306.53
C1000-CSEC-R-626-SFIC	Clutching	Classroom Security (F88)	Regular	626	Less SFIC	043156534975	\$309.26
C1000-CSEC-R-613-SFIC	Clutching	Classroom Security (F88)	Regular	613	Less SFIC	043156534982	\$306.53
C1000-CSEC-C-626-KDC	Clutching	Classroom Security (F88)	Curved	626	6-pin, Schlage C, KD	043156534999	\$273.69
C1000-CSEC-C-613-KDC	Clutching	Classroom Security (F88)	Curved	613	6-pin, Schlage C, KD	043156535002	\$306.53
C1000-CSEC-C-626-SFIC	Clutching	Classroom Security (F88)	Curved	626	Less SFIC	043156535019	\$205.26
C1000-CSEC-C-613-SFIC	Clutching	Classroom Security (F88)	Curved	613	Less SFIC	043156535026	\$306.53
C1000-STRM-R-626-KDC	Clutching	Storeroom (F86)	Regular	626	6-pin, Schlage C, KD	043156535033	\$227.54
C1000-NC-STRM-R-626-KDC	Non-clutching	Storeroom (F86)	Regular	626	6-pin, Schlage C, KD	043156557882	\$227.54
C1000-STRM-R-613-KDC	Clutching	Storeroom (F86)	Regular	613	6-pin, Schlage C, KD	043156535040	\$255.12
C1000-STRM-R-626-SFIC	Clutching	Storeroom (F86)	Regular	626	Less SFIC	043156535057	\$227.54
C1000-NC-STRM-R-626-SFIC	Non-clutching	Storeroom (F86)	Regular	626	Less SFIC	043156557899	\$227.54
C1000-STRM-R-613-SFIC	Clutching	Storeroom (F86)	Regular	613	Less SFIC	043156535064	\$255.12
C1000-STRM-C-626-KDC	Clutching	Storeroom (F86)	Curved	626	6-pin, Schlage C, KD	043156535071	\$227.54
C1000-STRM-C-613-KDC	Clutching	Storeroom (F86)	Curved	613	6-pin, Schlage C, KD	043156535088	\$255.12
C1000-STRM-C-626-SFIC	Clutching	Storeroom (F86)	Curved	626	Less SFIC	043156535095	\$227.54
C1000-STRM-C-613-SFIC	Clutching	Storeroom (F86)	Curved	613	Less SFIC	043156535101	\$255.12

LOCKS - Grade 1 cylindrical

<b>Finishes:</b>	<b>626 / US26D</b> = Satin Chrome	<b>613 / US10B</b> = Oil Rubbed Dark Bronze
------------------	-----------------------------------	---

# Grade 2 cylindrical lock • C2000 Series

- Grade 2, UL listed 3 hour
- 1 3/8" to 1 3/4" door range standard
- All functions include 1 1/8" x 2 1/4" square-corner beveled latch with 2 3/4" backset and 1 1/4" x 4 7/8" curved lip strike
- Brass (605) ball knobs come packaged with square-corner beveled latch with 2 3/8" backset and ANSI 1 1/4" x 2 1/4" T-Strike standard.

**Note:** Master Carton Quantities: 8 for Single Dummy UPCs & 4 for all other UPCs

Product description	Lever Feature	Function	Trim	Finish	Cylinder	UPC #	List
C2000-SDUM-R-626	Non-clutching	Single Dummy Trim	Regular	626	N/A	043156535118	\$46.07
C2000-SDUM-R-613	Non-clutching	Single Dummy Trim	Regular	613	N/A	043156535125	\$51.36
C2000-SDUM-R-605	Non-clutching	Single Dummy Trim	Regular	605	N/A	043156556489	\$51.36
C2000-SDUM-C-626	Non-clutching	Single Dummy Trim	Curved	626	N/A	043156535132	\$46.07
C2000-SDUM-C-613	Non-clutching	Single Dummy Trim	Curved	613	N/A	043156535149	\$51.36
C2000-SDUM-B-630	Non-clutching	Single Dummy Trim	Ball	630	N/A	043156535156	\$22.12
C2000-SDUM-B-613	Non-clutching	Single Dummy Trim	Ball	613	N/A	043156535163	\$24.77
C2000-PASS-R-626	Non-clutching	Passage (F75)	Regular	626	N/A	043156535170	\$100.76
C2000-PASS-R-613	Non-clutching	Passage (F75)	Regular	613	N/A	043156535187	\$112.79
C2000-PASS-R-605	Non-clutching	Passage (F75)	Regular	605	N/A	043156556496	\$112.79
C2000-PASS-C-626	Non-clutching	Passage (F75)	Curved	626	N/A	043156535194	\$100.76
C2000-PASS-C-613	Non-clutching	Passage (F75)	Curved	613	N/A	043156535200	\$112.79
C2000-PASS-B-630	Non-clutching	Passage (F75)	Ball	630	N/A	043156535217	\$53.28
C2000-PASS-B-613	Non-clutching	Passage (F75)	Ball	613	N/A	043156535224	\$60.00
C2000-PASS-B-605	Non-clutching	Passage (F75)	Ball	605	N/A	043156556519	\$60.00
C2000-PRIV-R-626	Non-clutching	Privacy (F76)	Regular	626	N/A	043156535231	\$105.13
C2000-PRIV-R-613	Non-clutching	Privacy (F76)	Regular	613	N/A	043156535248	\$117.63
C2000-PRIV-R-605	Non-clutching	Privacy (F76)	Regular	605	N/A	043156556502	\$117.63
C2000-PRIV-C-626	Non-clutching	Privacy (F76)	Curved	626	N/A	043156535255	\$105.13
C2000-PRIV-C-613	Non-clutching	Privacy (F76)	Curved	613	N/A	043156535262	\$117.63
C2000-PRIV-B-630	Non-clutching	Privacy (F76)	Ball	630	N/A	043156535279	\$54.71
C2000-PRIV-B-613	Non-clutching	Privacy (F76)	Ball	613	N/A	043156535286	\$61.29
C2000-PRIV-B-605	Non-clutching	Privacy (F76)	Ball	605	N/A	043156556526	\$61.29
C2000-ENTR-R-626-KDC	Non-clutching	Entry/Office (F109)	Regular	626	6-pin, Schlage C, KD	043156535293	\$111.32
C2000-ENTR-R-613-KDC	Non-clutching	Entry/Office (F109)	Regular	613	6-pin, Schlage C, KD	043156535309	\$124.75
C2000-ENTR-R-605-KDC	Non-clutching	Entry/Office (F109)	Regular	605	6-pin, Schlage C, KD	043156556588	\$124.75
C2000-CL-ENTR-R-626-KDC	Clutching	Entry/Office (F109)	Regular	626	6-pin, Schlage C, KD	043156642908	\$1,243.15
C2000-CL-ENTR-R-613-KDC	Clutching	Entry/Office (F109)	Regular	613	6-pin, Schlage C, KD	043156642915	\$131.54
C2000-ENTR-R-626-SFIC	Non-clutching	Entry/Office (F109)	Regular	626	Less SFIC	043156535316	\$111.32
C2000-ENTR-R-613-SFIC	Non-clutching	Entry/Office (F109)	Regular	613	Less SFIC	043156535323	\$124.75
C2000-ENTR-R-605-SFIC	Non-clutching	Entry/Office (F109)	Regular	605	Less SFIC	043156556595	\$124.75
C2000-CL-ENTR-R-626-SFIC	Clutching	Entry/Office (F109)	Regular	626	Less SFIC	043156642922	\$124.11
C2000-CL-ENTR-R-613-SFIC	Clutching	Entry/Office (F109)	Regular	613	Less SFIC	043156642939	\$131.54
C2000-ENTR-C-626-KDC	Non-clutching	Entry/Office (F109)	Curved	626	6-pin, Schlage C, KD	043156535330	\$111.32
C2000-ENTR-C-613-KDC	Non-clutching	Entry/Office (F109)	Curved	613	6-pin, Schlage C, KD	043156535347	\$124.75
C2000-CL-ENTR-C-626-KDC	Clutching	Entry/Office (F109)	Curved	626	6-pin, Schlage C, KD	043156642946	\$124.11
C2000-CL-ENTR-C-613-KDC	Clutching	Entry/Office (F109)	Curved	613	6-pin, Schlage C, KD	043156642953	\$131.54
C2000-ENTR-C-626-SFIC	Non-clutching	Entry/Office (F109)	Curved	626	Less SFIC	043156535354	\$111.32
C2000-ENTR-C-613-SFIC	Non-clutching	Entry/Office (F109)	Curved	613	Less SFIC	043156535361	\$124.75
C2000-CL-ENTR-C-626-SFIC	Clutching	Entry/Office (F109)	Curved	626	Less SFIC	043156642960	\$124.11
C2000-CL-ENTR-C-613-SFIC	Clutching	Entry/Office (F109)	Curved	613	Less SFIC	043156642977	\$131.54
C2000-ENTR-B-630-KDC	Non-clutching	Entry/Office (F109)	Ball	630	6-pin, Schlage C, KD	043156535378	\$65.76
C2000-ENTR-B-613-KDC	Non-clutching	Entry/Office (F109)	Ball	613	6-pin, Schlage C, KD	043156535385	\$73.65
C2000-ENTR-B-605-KDC	Non-clutching	Entry/Office (F109)	Ball	605	6-pin, Schlage C, KD	043156556533	\$73.65
C2000-ENTR-B-630-SFIC	Non-clutching	Entry/Office (F109)	Ball	630	Less SFIC	043156535392	\$65.76
C2000-ENTR-B-613-SFIC	Non-clutching	Entry/Office (F109)	Ball	613	Less SFIC	043156535408	\$73.65
C2000-ENTR-B-605-SFIC	Non-clutching	Entry/Office (F109)	Ball	605	Less SFIC	043156556540	\$74.40
C2000-CLRM-R-626-KDC	Non-clutching	Classroom (F84)	Regular	626	6-pin, Schlage C, KD	043156535415	\$111.32
C2000-CLRM-R-613-KDC	Non-clutching	Classroom (F84)	Regular	613	6-pin, Schlage C, KD	043156535422	\$112.79
C2000-CLRM-R-605-KDC	Non-clutching	Classroom (F84)	Regular	605	6-pin, Schlage C, KD	043156556625	\$112.79
C2000-CL-CLRM-R-626-KDC	Clutching	Classroom (F84)	Regular	626	6-pin, Schlage C, KD	043156642984	\$124.11

<b>Finishes:</b>	<b>626 / US26D</b> = Satin Chrome	<b>613 / US10B</b> = Oil Rubbed Dark Bronze	<b>630 / US32D</b> = Satin Stainless Steel
------------------	-----------------------------------	---	--

# C2000 Series - Grade 2 cylindrical lock

(continued)

Product description	Lever Feature	Function	Trim	Finish	Cylinder	UPC #	List
C2000-CL-CLRM-R-613-KDC	Clutching	Classroom (F84)	Regular	613	6-pin, Schlage C, KD	043156642991	\$131.54
C2000-CLRM-R-626-SFIC	Non-clutching	Classroom (F84)	Regular	626	Less SFIC	043156535439	\$111.32
C2000-CLRM-R-613-SFIC	Non-clutching	Classroom (F84)	Regular	613	Less SFIC	043156535446	\$112.79
C2000-CLRM-R-605-SFIC	Non-clutching	Classroom (F84)	Regular	605	Less SFIC	043156556632	\$112.79
C2000-CL-CLRM-R-626-SFIC	Clutching	Classroom (F84)	Regular	626	Less SFIC	043156643004	\$124.11
C2000-CL-CLRM-R-613-SFIC	Clutching	Classroom (F84)	Regular	613	Less SFIC	043156643011	\$131.54
C2000-CLRM-C-626-KDC	Non-clutching	Classroom (F84)	Curved	626	6-pin, Schlage C, KD	043156535453	\$111.32
C2000-CLRM-C-613-KDC	Non-clutching	Classroom (F84)	Curved	613	6-pin, Schlage C, KD	043156535460	\$112.79
C2000-CL-CLRM-C-626-KDC	Clutching	Classroom (F84)	Curved	626	6-pin, Schlage C, KD	043156643028	\$124.11
C2000-CL-CLRM-C-613-KDC	Clutching	Classroom (F84)	Curved	613	6-pin, Schlage C, KD	043156643035	\$131.54
C2000-CLRM-C-626-SFIC	Non-clutching	Classroom (F84)	Curved	626	Less SFIC	043156535477	\$111.32
C2000-CLRM-C-613-SFIC	Non-clutching	Classroom (F84)	Curved	613	Less SFIC	043156535484	\$112.79
C2000-CL-CLRM-C-626-SFIC	Clutching	Classroom (F84)	Curved	626	Less SFIC	043156643042	\$124.11
C2000-CL-CLRM-C-613-SFIC	Clutching	Classroom (F84)	Curved	613	Less SFIC	043156643059	\$131.54
C2000-CLRM-B-630-KDC	Non-clutching	Classroom (F84)	Ball	630	6-pin, Schlage C, KD	043156535491	\$65.76
C2000-CLRM-B-613-KDC	Non-clutching	Classroom (F84)	Ball	613	6-pin, Schlage C, KD	043156535507	\$73.65
C2000-CLRM-B-605-KDC	Non-clutching	Classroom (F84)	Ball	605	6-pin, Schlage C, KD	043156556557	\$73.65
C2000-CLRM-B-630-SFIC	Non-clutching	Classroom (F84)	Ball	630	Less SFIC	043156535514	\$65.76
C2000-CLRM-B-613-SFIC	Non-clutching	Classroom (F84)	Ball	613	Less SFIC	043156535521	\$73.65
C2000-STRM-R-626-KDC	Non-clutching	Storeroom (F86)	Regular	626	6-pin, Schlage C, KD	043156535538	\$111.32
C2000-STRM-R-613-KDC	Non-clutching	Storeroom (F86)	Regular	613	6-pin, Schlage C, KD	043156535545	\$124.75
C2000-STRM-R-605-KDC	Non-clutching	Storeroom (F86)	Regular	605	6-pin, Schlage C, KD	043156556601	\$124.75
C2000-CL-STRM-R-626-KDC	Clutching	Storeroom (F86)	Regular	626	6-pin, Schlage C, KD	043156643066	\$124.11
C2000-CL-STRM-R-613-KDC	Clutching	Storeroom (F86)	Regular	613	6-pin, Schlage C, KD	043156643073	\$131.54
C2000-STRM-R-626-SFIC	Non-clutching	Storeroom (F86)	Regular	626	Less SFIC	043156535552	\$111.32
C2000-STRM-R-613-SFIC	Non-clutching	Storeroom (F86)	Regular	613	Less SFIC	043156535569	\$124.75
C2000-STRM-R-605-SFIC	Non-clutching	Storeroom (F86)	Regular	605	Less SFIC	043156556618	\$124.75
C2000-CL-STRM-R-626-SFIC	Clutching	Storeroom (F86)	Regular	626	Less SFIC	043156643080	\$124.11
C2000-CL-STRM-R-613-SFIC	Clutching	Storeroom (F86)	Regular	613	Less SFIC	043156643097	\$131.54
C2000-STRM-C-626-KDC	Non-clutching	Storeroom (F86)	Curved	626	6-pin, Schlage C, KD	043156535576	\$111.32
C2000-STRM-C-613-KDC	Non-clutching	Storeroom (F86)	Curved	613	6-pin, Schlage C, KD	043156535583	\$124.75
C2000-CL-STRM-C-626-KDC	Clutching	Storeroom (F86)	Curved	626	6-pin, Schlage C, KD	043156643103	\$124.11
C2000-CL-STRM-C-613-KDC	Clutching	Storeroom (F86)	Curved	613	6-pin, Schlage C, KD	043156643110	\$131.54
C2000-STRM-C-626-SFIC	Non-clutching	Storeroom (F86)	Curved	626	Less SFIC	043156535590	\$111.32
C2000-STRM-C-613-SFIC	Non-clutching	Storeroom (F86)	Curved	613	Less SFIC	043156535606	\$124.75
C2000-CL-STRM-C-626-SFIC	Clutching	Storeroom (F86)	Curved	626	Less SFIC	043156643127	\$124.11
C2000-CL-STRM-C-613-SFIC	Clutching	Storeroom (F86)	Curved	613	Less SFIC	043156643134	\$131.54
C2000-STRM-B-630-KDC	Non-clutching	Storeroom (F86)	Ball	630	6-pin, Schlage C, KD	043156535613	\$65.76
C2000-STRM-B-613-KDC	Non-clutching	Storeroom (F86)	Ball	613	6-pin, Schlage C, KD	043156535620	\$74.40
C2000-STRM-B-605-KDC	Non-clutching	Storeroom (F86)	Ball	605	6-pin, Schlage C, KD	043156556564	\$74.40
C2000-STRM-B-630-SFIC	Non-clutching	Storeroom (F86)	Ball	630	Less SFIC	043156535637	\$65.76
C2000-STRM-B-613-SFIC	Non-clutching	Storeroom (F86)	Ball	613	Less SFIC	043156535644	\$74.40
C2000-STRM-B-605-SFIC	Non-clutching	Storeroom (F86)	Ball	605	Less SFIC	043156556571	\$74.40

LOCKS - Grade 2 cylindrical

<b>Finishes:</b>	<b>613 / US10B</b> = Oil Rubbed Dark Bronze	<b>630 / US32D</b> = Satin Stainless Steel
------------------	---	--

## Latches

**Note:** Master Carton Quantities: 20 for all UPCs

<b>Grade 1 Latches:</b> Latches are square corner. 1" x 2 1/4" Backsets available in 2 3/8" & 2 3/4". Products with "234" in the description represent a 2 3/4" backset.					
Product description	Function	Latch type	Finish	UPC #	List
C1000-SL-630	Passage, Privacy	Springlatch	630	043156538034	\$22.45
C1000-DL-630	Entry/Office, Classroom, Classroom Security, Storeroom	Deadlatch	630	043156538041	\$22.45
C1000-SL-234-630	Passage, Privacy	Springlatch	630	043156656059	\$22.45
C1000-DL-234-630	Entry/Office, Classroom, Classroom Security, Storeroom	Deadlatch	630	043156643158	\$22.45
<b>Grade 2 Latches:</b> Latches are square corner. 1" x 2 1/4" Backsets available in 2 3/8" & 2 3/4". Products with "234" in the description represent a 2 3/4" backset.					
Product description	Function	Latch type	Finish	UPC #	List
C2000-SL-613	Passage, Privacy	Springlatch	613	043156538065	\$14.32
C2000-SL-605	Passage, Privacy	Springlatch	605	043156556687	\$14.32
C2000-SL-234-630	Passage, Privacy	Springlatch	630	043156656066	\$14.32
C2000-DL-613	Entry/Office, Classroom, Storeroom	Deadlatch	613	043156538072	\$14.32
C2000-DL-605	Entry/Office, Classroom, Storeroom	Deadlatch	605	043156556694	\$14.32
C2000-DL-234-605	Entry/Office, Classroom, Storeroom	Deadlatch	605	043156558414	\$14.32
C2000-DL-234-630	Entry/Office, Classroom, Storeroom	Deadlatch	630	043156643165	\$14.32
C2000-SL-630	Passage, Privacy	Springlatch	630	043156538089	\$14.32
C2000-SL-234-605	Passage, Privacy	Springlatch	605	043156558407	\$14.32
C2000-DL-630	Entry/Office, Classroom, Storeroom	Deadlatch	630	043156538096	\$14.32

## Strikes

**Note:** Master Carton Quantities: 20 for all UPCs

<b>Grade 1 Strikes:</b> Radius corner, full lip strike. 1 3/4" x 2 1/4". 630 finish is standard.					
Product description	Function	Finish	UPC #	List	
C1000-RCFLS-626	Radius corner, full lip strike, 1 3/4" x 2 1/4"	630	043156538058	\$4.21	
<b>Grade 2 Strikes:</b> Radius corner, full lip strike. 630 finish is standard.					
Product description	Function	Finish	UPC #	List	
C2000-RCFLS-613	Radius corner, full lip strike, 1 5/8" x 2 1/4"	613	043156538102	\$4.21	
C2000-RCFLS-630	Radius corner, full lip strike, 1 5/8" x 2 1/4"	630	043156538119	\$4.21	
C2000-ACLS-605	ANSI, curved lip strike, 1 1/4" x 4 7/8" (30-148)	605	043156556700	\$5.27	

## Tailpieces

**Note:** Master Carton Quantities: 100 for all UPCs

Product description	Function	Finish	Cylinder	UPC #	List
C2000-TP-SFIC	Extra Tailpiece, Less SFIC	N/A	N/A	043156643141	\$2.39
DB2000-TP-SFIC	Extra Tailpiece, Less SFIC	N/A	N/A	043156642809	\$9.98
DB2000-TP	Extra Tailpiece	N/A	N/A	043156642816	\$2.05



## DB1000 Series • Grade 1 deadbolt

- Grade 1, non UL listed 3 hour
- 1 3/8" - 1 7/8" standard cylinder door range; 1 5/8" - 2" SFIC door range
- All functions include 2 3/8" x 2 3/4" universal square corner latch (p/n 30-253), 1 1/8" x 2 3/4" square corner lipless strike
- 4WB-KIT contains an adjustable latch with both square corner faceplate and drive-in style collar in the box

**Note:** Master Carton Quantities: 8 for all UPCs

Product description	Function	Finish	Cylinder	UPC #	List
DB1000-SCT-626-KDC	Single Cylinder x Turn	626	6-pin, Schlage C, KD	043156535651	\$95.54
DB1000-SCT-613-KDC	Single Cylinder x Turn	613	6-pin, Schlage C, KD	043156535668	\$107.01
DB1000-SCT-626-SFIC	Single Cylinder x Turn	626	Less SFIC	043156535675	\$95.54
DB1000-SCT-613-SFIC	Single Cylinder x Turn	613	Less SFIC	043156535682	\$107.01
DB1000-DCT-626-KDC	Double Cylinder	626	6-pin, Schlage C, KD	043156535699	\$123.36
DB1000-DCT-613-KDC	Double Cylinder	613	6-pin, Schlage C, KD	043156535705	\$138.16
DB1000-DCT-626-SFIC	Double Cylinder	626	Less SFIC	043156535712	\$123.36
DB1000-DCT-613-SFIC	Double Cylinder	613	Less SFIC	043156535729	\$138.16

## DB2000 Series • Grade 2 deadbolt

- Grade 2, non UL listed 3 hour
- 1 3/8" - 1 3/4" standard cylinder door range; 1 5/8" - 2" SFIC door range
- All functions include 2 3/8" x 2 3/4" universal square corner latch (p/n 30-253), 1 1/8" x 2 3/4" square corner lipless strike
- 4WB (4-way bolt) function includes square corner faceplate and drive-in style collar is installed out of box

**Note:** Master Carton Quantities: 8 for all UPCs

Product description	Function	Finish	Cylinder	UPC #	List
DB2000-4WB-SCT-626-KDC	Single Cylinder x Turn	626	6-pin, Schlage C, KD	043156036516	\$70.00
DB2000-4WB-SCT-613-KDC	Single Cylinder x Turn	613	6-pin, Schlage C, KD	043156036523	\$77.00
DB2000-SCT-626-KDC	Single Cylinder x Turn	626	6-pin, Schlage C, KD	043156535736	\$59.67
DB2000-SCT-630-KDC	Single Cylinder x Turn	630	6-pin Schlage C, KD	043156591190	\$59.67
DB2000-SCT-613-KDC	Single Cylinder x Turn	613	6-pin, Schlage C, KD	043156535743	\$66.83
DB2000-SCT-605-KDC	Single Cylinder x Turn	605	6-pin, Schlage C, KD	043156556649	\$66.83
DB2000-SCT-626-SFIC	Single Cylinder x Turn	626	Less SFIC	043156535750	\$59.67
DB2000-SCT-630-SFIC	Single Cylinder x Turn	630	Less SFIC	043156591206	\$59.67
DB2000-SCT-613-SFIC	Single Cylinder x Turn	613	Less SFIC	043156535767	\$66.83
DB2000-SCT-605-SFIC	Single Cylinder x Turn	605	Less SFIC	043156556656	\$66.83
DB2000-DCT-626-KDC	Double Cylinder	626	6-pin, Schlage C, KD	043156535774	\$77.24
DB2000-DCT-613-KDC	Double Cylinder	613	6-pin, Schlage C, KD	043156535781	\$86.52
DB2000-DCT-605-KDC	Double Cylinder	605	6-pin, Schlage C, KD	043156556663	\$86.52
DB2000-DCT-626-SFIC	Double Cylinder	626	Less SFIC	043156535798	\$77.24
DB2000-DCT-613-SFIC	Double Cylinder	613	Less SFIC	043156535804	\$86.52
DB2000-DCT-605-SFIC	Double Cylinder	605	Less SFIC	043156556670	\$86.52

## Latches

Latch drive-in conversion kits are for use with DB1000 deadbolts only

**Note:** Master Carton Quantities: 100 for all UPCs

Product description	Function	Finish	Cylinder	UPC #	List
DB2000-4WB-KIT-626	Replacement Latch	626	N/A	043156036530	\$15.00
DB2000-4WB-KIT-613	Replacement Latch	613	N/A	043156036547	\$15.00

**Finishes:**

**626 / US26D** = Satin Chrome

**613 / US10B** = Oil Rubbed Dark Bronze



# Heavy duty surface door closers - DCH1000 Series

- Grade I, UL / UL 10C Listed (non-hold open arms)
- ADA compliant at size 1
- Adjustable spring size 1-6
- 6 3/4" x 2 3/8" mounting hole pattern

**Note:** Master Carton Quantities: 4 for all UPCs

Product description	Cylinder type	Cover	Arm function	Finish	UPC #	List
DCH1000.STD.FULL.RW/PA.ALUM	STD	Full	Rw/PA	ALUM	043156535934	\$246.28
DCH1000.STD.FULL.RW/PA.DKBRZ	STD	Full	Rw/PA	DKBRZ	043156535941	\$246.28
DCH1000.STD.FULL.HW/PA.ALUM	STD	Full	Hw/PA	ALUM	043156535958	\$257.09
DCH1000.STD.FULL.DS.ALUM	STD	Full	DS	ALUM	043156535965	\$274.10
DCH1000.STD.FULL.DS/HO.ALUM	STD	Full	DS/HO	ALUM	043156535972	\$289.38

## DCH4000 Series - Heavy Duty Surface Door Closer

- Grade I, UL/UL10C Compliant (non-hold open arms)
- ADA Compliant at Size 1
- Adjustable spring size 1-6
- 5" x 2 1/4" mounting hole patter

**Note:** Master Carton Quantities: 2 for all UPCs

Product description	Cylinder type	Cover	Arm function	Finish	UPC #	List
DCH4000.STD.FULL.RW/PA.ALUM	STD	Full	Rw/PA	ALUM	43156976676	\$275.00
DCH4000.STD.FULL.HW/PA.ALUM	STD	Full	Hw/PA	ALUM	43156976706	\$300.00
DCH4000.STD.FULL.DS.ALUM	STD	Full	DS	ALUM	43156976683	\$325.00
DCH4000.STD.FULL.DS/HO.ALUM	STD	Full	DS/HO	ALUM	43156976690	\$350.00
DCH4000.STD.FULL.RW/PA.DKBRZ	STD	Full	Rw/PA	DKBRZ	43156976713	\$275.00
DCH4000.STD.FULL.HW/PA.DKBRZ	STD	Full	Hw/PA	DKBRZ	43156976744	\$300.00
DCH4000.STD.FULL.DS.DKBRZ	STD	Full	DS	DKBRZ	43156976720	\$325.00
DCH4000.STD.FULL.DS/HO.DKBRZ	STD	Full	DS/HO	DKBRZ	43156976737	\$350.00

## DCM1000 Series - Medium duty surface door closers

- Grade I, UL / UL 10C Listed (non-hold open arms)
- ADA compliant at size 1
- Adjustable spring size 1-6
- 12" x 3 3/4" mounting hole pattern

**Note:** 6 for all RW/PA UPCs & 4 for all HW/PA UPCs

Product description	Cylinder type	Cover	Arm function	Finish	UPC #	List
DCM1000.STD.SLIM.RW/PA.ALUM	STD	Slim	Rw/PA	ALUM	043156535859	\$171.73
DCM1000.STD.SLIM.RW/PA.DKBRZ	STD	Slim	Rw/PA	DKBRZ	043156535866	\$171.73
DCM1000.STD.FULL.RW/PA.ALUM	STD	Full	Rw/PA	ALUM	043156535873	\$171.73
DCM1000.STD.FULL.RW/PA.DKBRZ	STD	Full	Rw/PA	DKBRZ	043156535880	\$171.73
DCM1000.STD.SLIM.HW/PA.ALUM	STD	Slim	Hw/PA	ALUM	043156535897	\$210.50
DCM1000.STD.SLIM.HW/PA.DKBRZ	STD	Slim	Hw/PA	DKBRZ	043156535903	\$210.50
DCM1000.STD.FULL.HW/PA.ALUM	STD	Full	Hw/PA	ALUM	043156535910	\$210.50
DCM1000.STD.FULL.HW/PA.DKBRZ	STD	Full	Hw/PA	DKBRZ	043156535927	\$210.50

## DCL2000 Series - Light duty surface door closers

- Grade I, UL / UL 10C Listed (non-hold open arms)
- ADA compliant at size 1
- Adjustable spring size 1-6
- 9 1/16" x 3/4" mounting hole pattern

**Note:** Master Carton Quantities: 4 for all UPCs

Product description	Cylinder type	Cover	Arm function	Finish	UPC #	List
DCL2000.STD.LESS.RW/PA.ALUM	STD	Less	Rw/PA	ALUM	043156535811	\$136.68
DCL2000.STD.LESS.RW/PA.DKBRZ	STD	Less	Rw/PA	DKBRZ	043156535828	\$136.68
DCL2000.STD.LESS.HW/PA.ALUM	STD	Less	Hw/PA	ALUM	043156535835	\$175.45
DCL2000.STD.FULL.RW/PA.ALUM	STD	Full	Rw/PA	ALUM	043156535842	\$146.88

## DCR8000 Series - Residential duty surface door closers

- Grade I, UL / UL 10C Listed (non-hold open arms)
- ADA compliant at size 1, (180 deg - TJ & Pull Side)
- Adjustable spring size 1-4
- 9 1/16" x 3/4" mounting hole pattern

**Note:** Master Carton Quantities: 4 for all UPCs

Product description	Cylinder type	Cover	Arm function	Finish	UPC #	List
DCR8000.STD.LESS.RW/PA.ALUM	STD	Less	Rw/PA	ALUM	043156536009	\$95.95
DCR8000.STD.LESS.RW/PA.DKBRZ	STD	Less	Rw/PA	DKBRZ	043156536016	\$95.95

<b>Finishes:</b>	<b>ALUM</b> = Aluminum	<b>DKBRZ</b> = Dark Bronze
------------------	------------------------	----------------------------

# Accessories

## Drop plates

**Note:** Master Carton Quantities: 10 for all DCL2000 UPCs, 15 for all DCM1000 UPCs, & 12 for all DCH1000 UPCs

Product description	Plate type	Finish	UPC #	List
DCL2000P.DP18TJ.ALUM	Top Jamb	ALUM	043156536023	\$20.30
DCL2000P.DP18PA.ALUM	Parallel Arm	ALUM	043156536030	\$20.30
DCL2000P.DP18TJ.DKBRZ	Top Jamb	DKBRZ	043156536047	\$20.30
DCL2000P.DP18PA.DKBRZ	Parallel Arm	DKBRZ	043156536054	\$20.30
DCM1000P.DP18TJ.ALUM	Pull Side/Top Jamb	ALUM	043156536061	\$18.97
DCM1000P.DP18PA.ALUM	Parallel Arm	ALUM	043156536078	\$18.97
DCM1000P.DP18TJ.DKBRZ	Pull Side/Top Jamb	DKBRZ	043156536085	\$18.97
DCM1000P.DP18PA.DKBRZ	Parallel Arm	DKBRZ	043156536092	\$18.97
DCH1000P.DP18.ALUM	Pull Side/Top Jamb	ALUM	043156536108	\$22.24
DCH1000P.DP18PA.ALUM	Parallel Arm	ALUM	043156536115	\$22.24
DCH1000P.DP18.DKBRZ	Pull Side/Top Jamb	DKBRZ	043156536122	\$38.59
DCH1000P.DP18PA.DKBRZ	Parallel Arm	DKBRZ	043156536139	\$38.59

**Note:** DCL2000P drop plates are also compatible with DCR8000 series closers.

<b>Finishes:</b>	<b>ALUM</b> = Aluminum	<b>DKBRZ</b> = Dark Bronze
------------------	------------------------	----------------------------

- Grade 1, UL listed panic device
- UL Listed 3-hour fire device

**Note:** Master Carton Quantities: 3 for all UPCs

### ED1000-R Series rim panic device

Product description	Trim function	Device length	Finish	UPC #	List
ED1000-R-EO-3 FT-US26D	Exit Only	3'	US26D	043156536351	\$725.00
ED1000-R-EO-4 FT-US26D	Exit Only	4'	US26D	043156536368	\$743.00
ED1000-R-EO-3 FT-US32D	Exit Only	3'	US32D	043156536375	\$745.00
ED1000-R-EO-4 FT-US32D	Exit Only	4'	US32D	043156536382	\$763.00
ED1000-R-EO-3 FT-US10B	Exit Only	3'	US10B	043156536399	\$795.00
ED1000-R-EO-4 FT-US10B	Exit Only	4'	US10B	043156536405	\$813.00

### ED1000-R-F Series rim fire exit hardware

**Note:** Master Carton Quantities: 3 for all UPCs

Product description	Trim function	Device length	Finish	UPC #	List
ED1000-R-F-EO-3 FT-US26D	Exit Only	3'	US26D	043156536412	\$890.00
ED1000-R-F-EO-3 FT-US10B	Exit Only	3'	US10B	043156536429	\$975.00

### ED1000-V Series surface vertical rod panic device

**Note:** Master Carton Quantities: 3 for all UPCs

Product description	Trim function	Device length	Door height	Finish	UPC #	List
ED1000-V-EO-3 FT-7'DH-US26D	Exit Only	3'	7'	US26D	043156536436	\$1,065.00
ED1000-V-EO-3 FT-7'DH-US10B	Exit Only	3'	7'	US10B	043156536443	\$1,130.00

**Finishes:**

**626 / US26D** = Satin Chrome

**613 / US10B** = Oil Rubbed Dark Bronze

**630 / US32D** = Satin Stainless Steel

# ED1000 Series · Trim and accessories

## Trim

**Note:** Master Carton Quantities: 12 for all Handle Pull Plate UPCs & 6 for all other UPCs

Product description	Function	Cylinder	Finish	UPC #	List
ED1000T-CLRM-R-ESC-NC-US26D	Escutcheon Lever - Classroom	NC (requires mortise)	US26D	043156536450	\$472.00
ED1000T-CLRM-R-ESC-NC-US10B	Escutcheon Lever - Classroom	NC (requires mortise)	US10B	043156536467	\$505.00
ED1000T-NL-R-ESC-NC-US26D	Escutcheon Lever - Night Latch	NC (requires rim)	US26D	043156536474	\$452.00
ED1000T-NL-R-ESC-NC-US10B	Escutcheon Lever - Night Latch	NC (requires rim)	US10B	043156536481	\$485.00
ED1000T-PASS-R-ESC-US26D	Escutcheon Lever - Passage Blank Escutcheon	-	US26D	043156536498	\$357.00
ED1000T-PASS-R-ESC-US10B	Escutcheon Lever - Passage Blank Escutcheon	-	US10B	043156536504	\$390.00
ED1000T-CLRM-TP-NC-US26D	Thumpiece Pull Plate - Classroom	NC (requires mortise)	US26D	043156536511	\$247.00
ED1000T-CLRM-TP-NC-US10B	Thumpiece Pull Plate - Classroom	NC (requires mortise)	US10B	043156536528	\$280.00
ED1000T-NL-HPUL-NC-US26D	Handle Pull Plate - Night Latch	NC (requires rim)	US26D	043156536535	\$162.00
ED1000T-NL-HPUL-NC-US10B	Handle Pull Plate - Night Latch	NC (requires rim)	US10B	043156536542	\$195.00

NC = No cylinder included

## Extension rods

**Note:** Master Carton Quantities: 20 for all UPCs

Product description	Length	Finish	UPC #	List
ED1000-EXTRD-US26D	12"	US26D	043156538256	\$17.22
ED1000-EXTRD-US10B	12"	US10B	043156538249	\$18.25

<b>Finishes:</b>	<b>626 / US26D</b> = Satin Chrome	<b>613 / US10B</b> = Oil Rubbed Dark Bronze
------------------	-----------------------------------	---

- Grade 1, UL listed panic device
- UL Listed 3-hour fire rim device

### ED1500-R Series Rim Panic Device

**Note:** Master Carton Quantities: 3 for all UPCs

Product description	Trim function	Device length	Finish	UPC #	List
ED1500-R-EO-3FT-SP28	Exit Only	3'	SP28	043156519415	\$234.00
ED1500-R-EO-4FT-SP28	Exit Only	4'	SP28	043156519637	\$264.00
ED1500-R-EO-3FT-SP313	Exit Only	3'	SP313	043156963881	\$234.00
ED1500-R-EO-4FT-SP313	Exit Only	4'	SP313	043156963898	\$264.00

### ED1500-R-F Series Rim Fire Exit Device

**Note:** Master Carton Quantities: 3 for all UPCs

Product description	Trim function	Device length	Finish	UPC #	List
ED1500-R-F-EO-3FT-SP28	Exit Only	3'	SP28	043156522996	\$314.00
ED1500-R-F-EO-3FT-SP313	Exit Only	3'	SP313	043156963638	\$314.00

### ED1500-V Series Surface Vertical Rod Panic Device

**Note:** Master Carton Quantities: 3 for all UPCs

Product description	Trim function	Device length	Door height	Finish	UPC #	List
ED1500-V-EO-3FT-7'DH-SP28	Exit Only	3'	7'	SP28	043156963645	\$399.00
ED1500-V-EO-3FT-7'DH-SP313	Exit Only	3'	7'	SP313	043156963904	\$399.00

**Finishes:**

SP28 = Painted Aluminum - Silver

SP313 = Painted Aluminum - Dark Bronze

# ED1500 Series - Trim and accessories

## Trim

**Note:** Master Carton Quantities: 12 for all Handle Pull Plate UPCs & 6 for all other UPCs

Product description	Function	Cylinder	Finish	UPC #	List
ED1500T-CLRM-R-ESC-NC-SP28	Escutcheon Lever - Classroom	NC (requires mortise)	SP28	043156597550	\$164.00
ED1500T-CLRM-R-ESC-NC-SP313	Escutcheon Lever - Classroom	NC (requires mortise)	SP313	043156963652	\$164.00
ED1500T-NL-R-ESC-NC-SP28	Escutcheon Lever - Night Latch	NC (requires mortise)	SP28	043156597567	\$164.00
ED1500T-NL-R-ESC-NC-SP313	Escutcheon Lever - Night Latch	NC (requires mortise)	SP313	043156963669	\$164.00
ED1500T-NL-PULL-NC-SP28	Raised Lip Pull Plate - Night Latch	NC (requires rim)	SP28	043156963676	\$39.00
ED1500T-NL-PULL-NC-SP313	Raised Lip Pull Plate - Night Latch	NC (requires rim)	SP313	043156963683	\$39.00
ED1500T-DUM-PULL-SP28	Raised Lip Pull Plate - Dummy	-	SP28	043156963690	\$24.00
ED1500T-DUM-PULL-SP313	Raised Lip Pull Plate - Dummy	-	SP313	043156963706	\$24.00
ED1500T-CLRM-R-KDC-SP28	Key in Lever Round Rose - Classroom	KDC	SP28	043156963713	\$134.00
ED1500T-CLRM-R-KDC-SP313	Key in Lever Round Rose - Classroom	KDC	SP313	043156963720	\$134.00
ED1500T-NL-R-KDC-SP28	Key in Lever Round Rose - Night Latch	KDC	SP28	043156963737	\$134.00
ED1500T-NL-R-KDC-SP313	Key in Lever Round Rose - Night Latch	KDC	SP313	043156963744	\$134.00
ED1500T-CLRM-R-SFIC-SP28	Key in Lever Round Rose - Classroom	Less SFIC	SP28	043156963751	\$129.00
ED1500T-NL-R-SFIC-SP28	Key in Lever Round Rose - Night Latch	Less SFIC	SP28	043156963768	\$129.00
ED1500T-NL-PULL-ESC-NC-SP28	Handle Pull Plate - Night Latch	NC (requires rim)	SP28	043156963775	\$99.00
ED1500T-NL-PULL-ESC-NC-SP313	Handle Pull Plate - Night Latch	NC (requires rim)	SP313	043156963782	\$99.00
ED1500T-DUM-PULL-ESC-SP28	Handle Pull Plate - Dummy	-	SP28	043156963799	\$99.00
ED1500T-DUM-PULL-ESC-SP313	Handle Pull Plate - Dummy	-	SP313	043156963805	\$99.00

NC = No cylinder included

KDC = KIL Cylinder, Schlage C Keyway, Keyed Differently

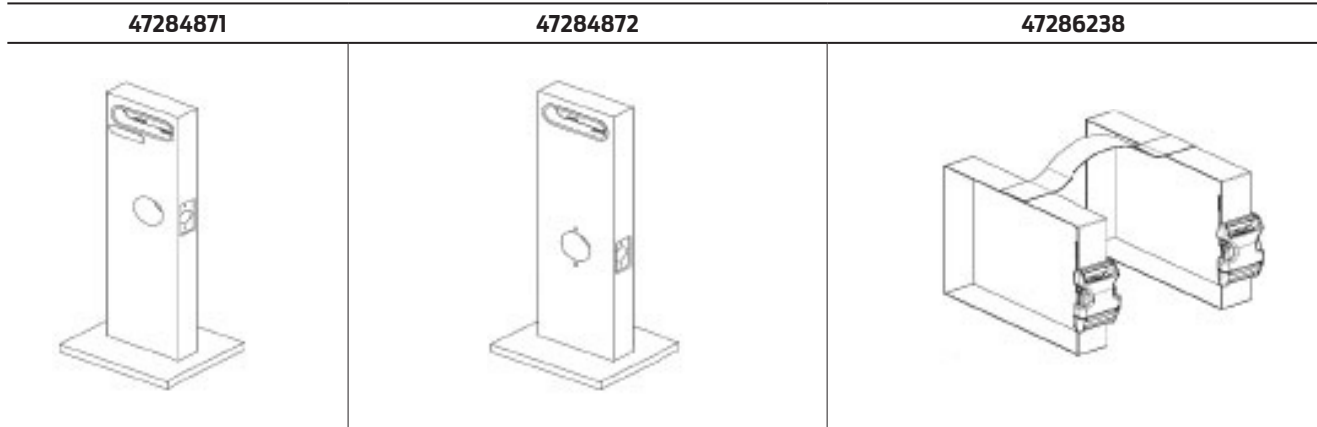
## Extension rods

**Note:** Master Carton Quantities: 20 for all UPCs

Product description	Length	Finish	UPC #	List
ED1500-EXTRD-SP28	12"	SP28	043156963812	\$14.00
ED1500-EXTRD-SP313	12"	SP313	043156963829	\$14.00

<b>Finishes:</b>	<b>SP28</b> = Painted Aluminum - Silver	<b>SP313</b> = Painted Aluminum - Dark Bronze
------------------	---	---

Dexter Commercial Hardware White Wood Mounts



Display Mounts

Dimensions (inches)							
Part Number	Description	Backset	Bore	Faceplate Width	Total Height	Width at Base	Price Each
47284871	Deadbolt, Knob, & Keypad Mount	2-3/8	2-1/8	1	19-7/8	8	\$160.00
47284872	Cylindrical Mount	2-3/4	2-1/8	1-1/8	19-7/8	8	\$160.00
47286238	Mount Carton Carrying Strap	-	-	-	-	-	\$20.00

Note: 1) Price does not include lock







## About Allegion

Allegion (NYSE: ALLE) creates peace of mind by pioneering safety and security. As a \$2 billion provider of security solutions for homes and businesses, Allegion employs more than 8,000 people and sells products in more than 120 countries across the world. Allegion comprises 27 global brands, including strategic brands CISA®, Interflex®, LCN®, Schlage® and Von Duprin®.

For more, visit [www.allegion.com](http://www.allegion.com)