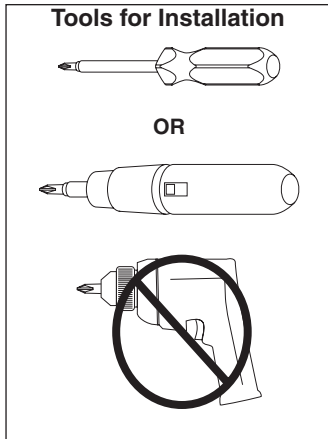
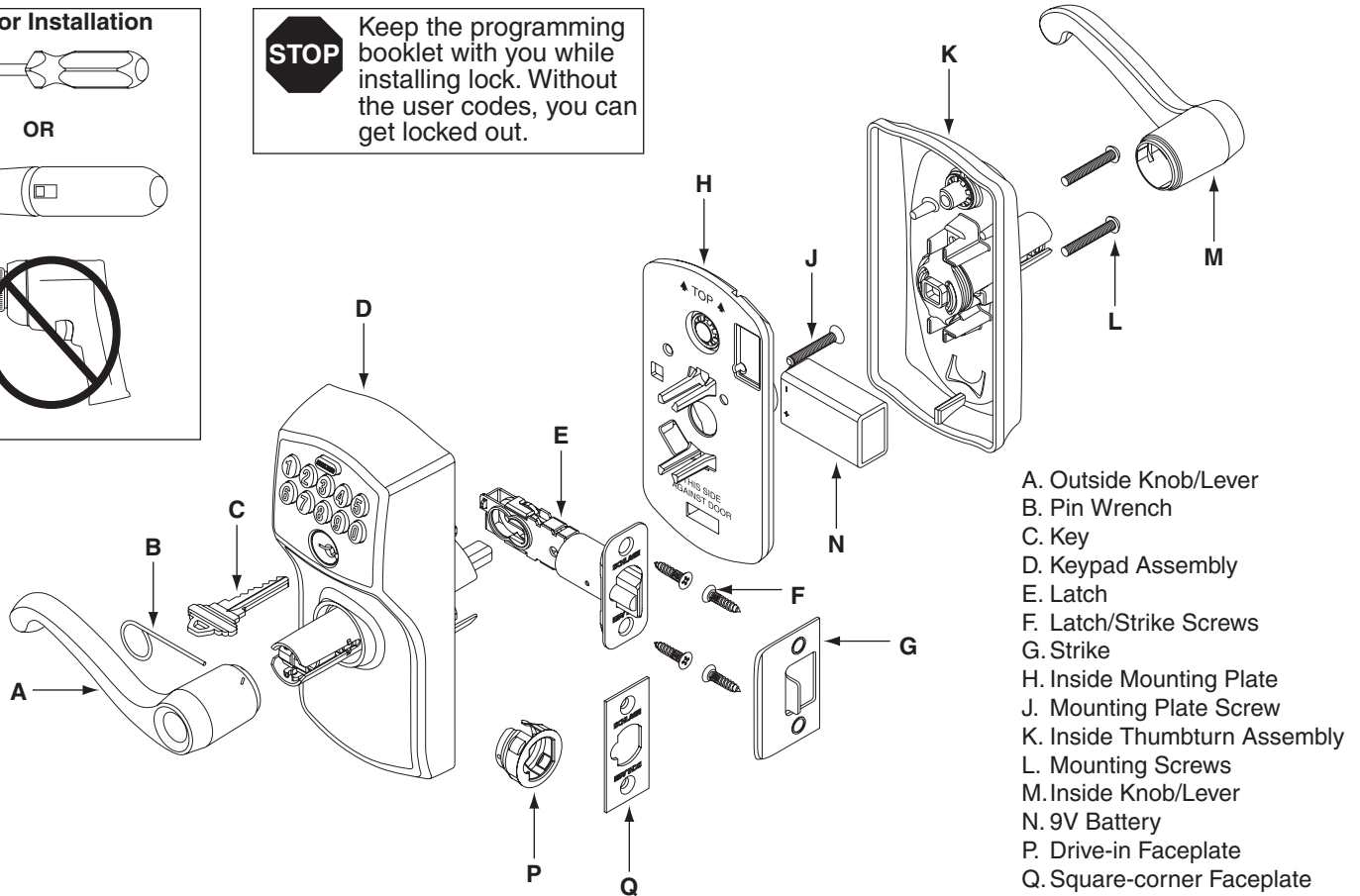


## Installation Instructions FE595

P515-548

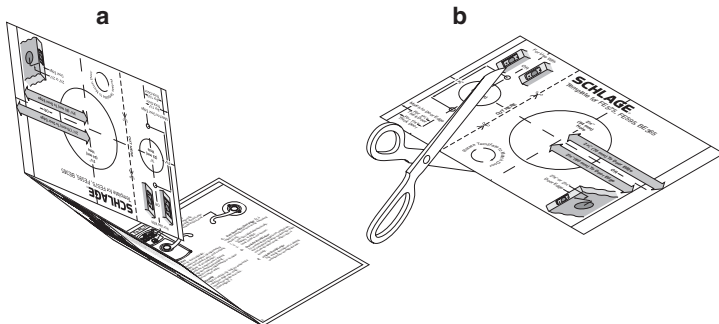


**STOP** Keep the programming booklet with you while installing lock. Without the user codes, you can get locked out.



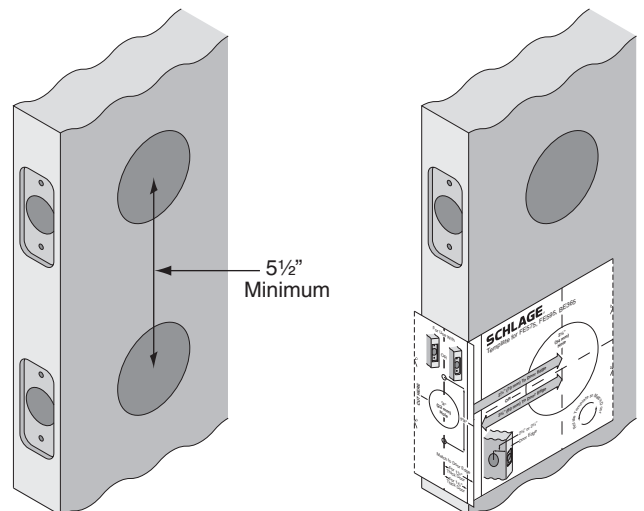
### Install Lock

#### 1 Remove Template From Booklet

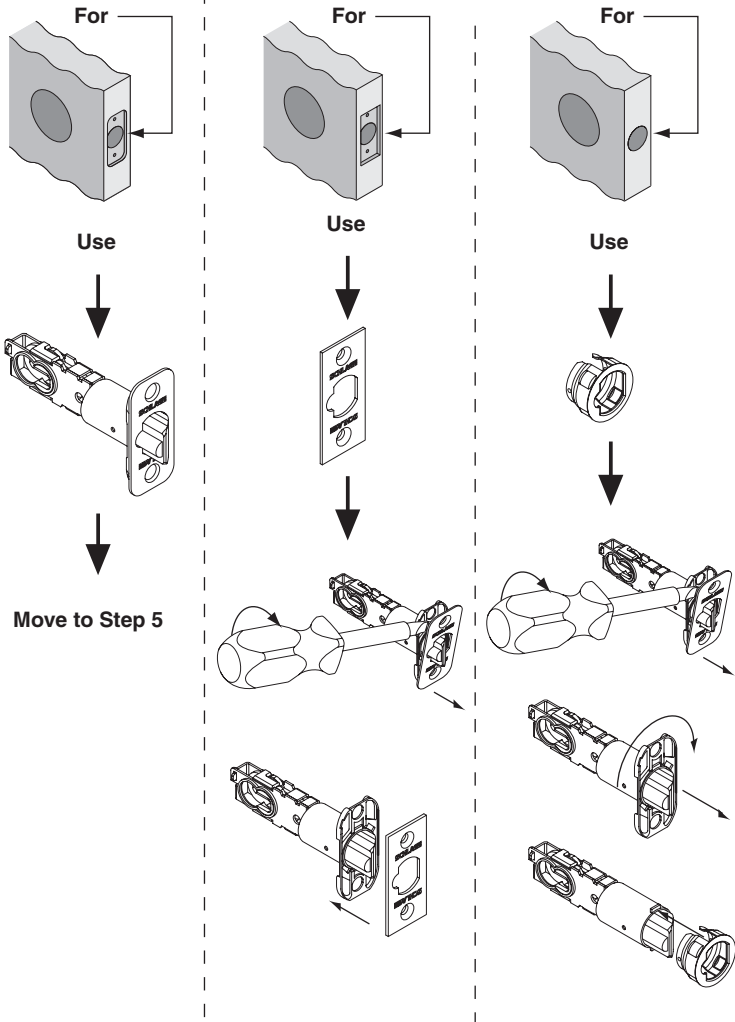


#### 2 Check Door Holes

**Note:** If door holes do not match template, visit [www.schlage.com](http://www.schlage.com) for door drilling instructions.

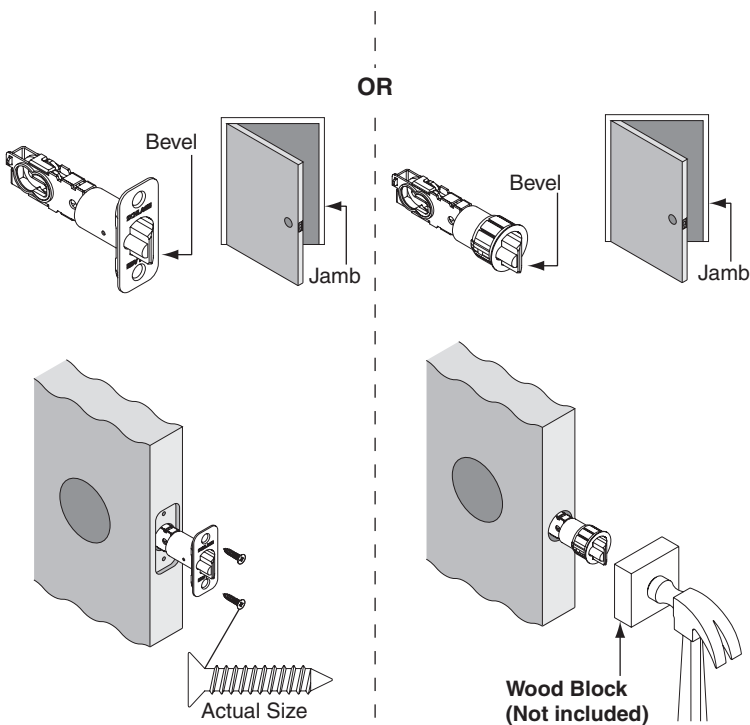


### 3 Choose Deadbolt Faceplate



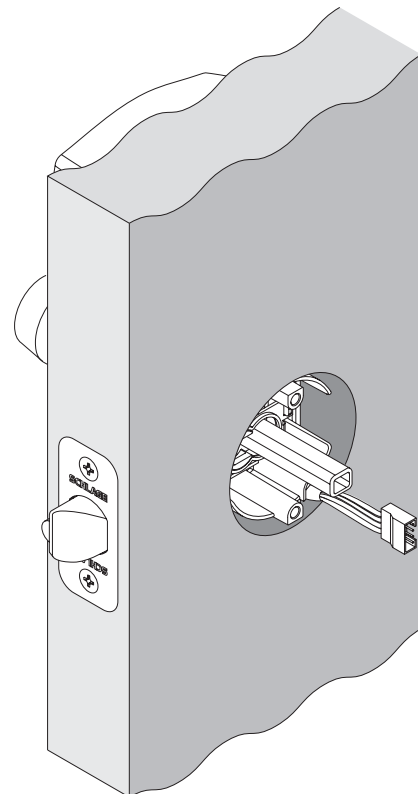
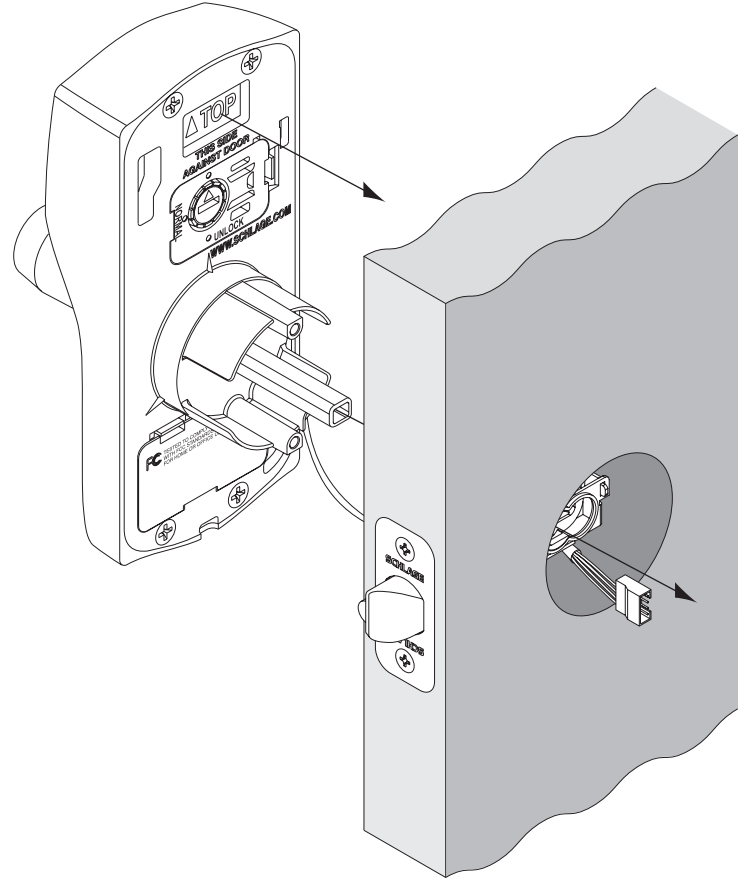
### 4 Install Latch

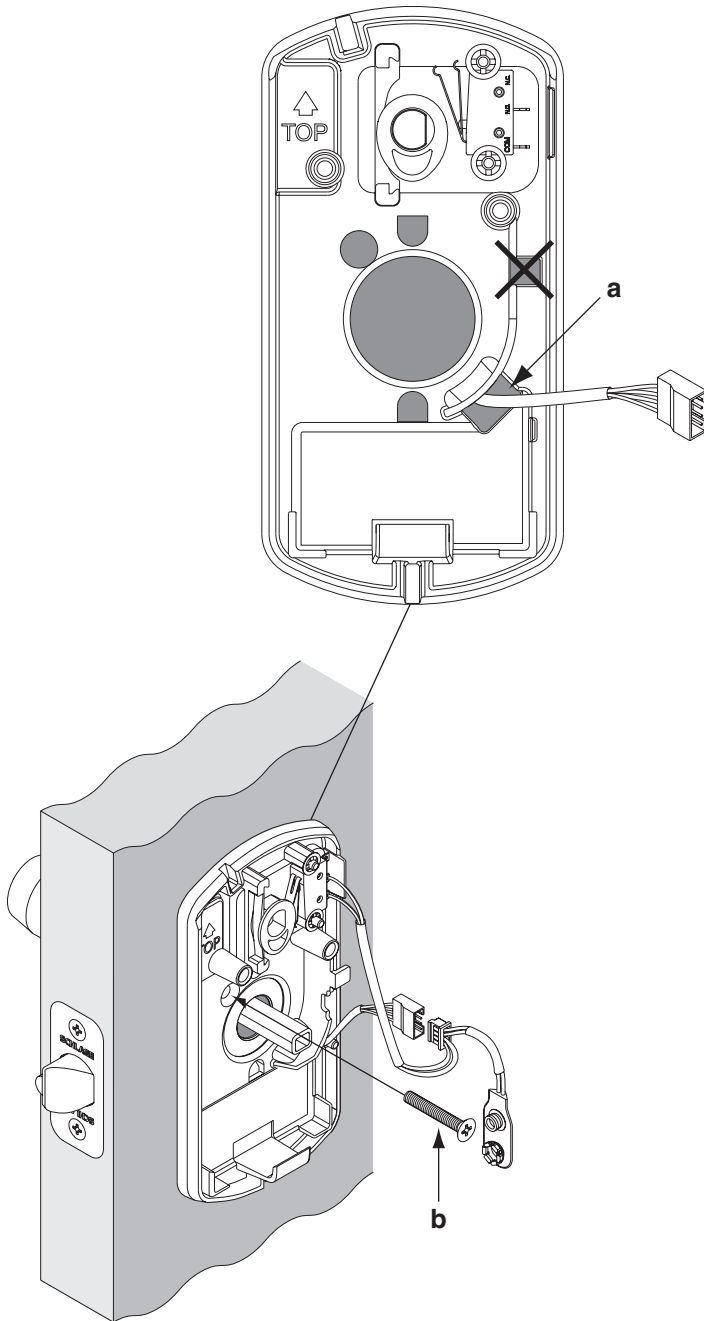
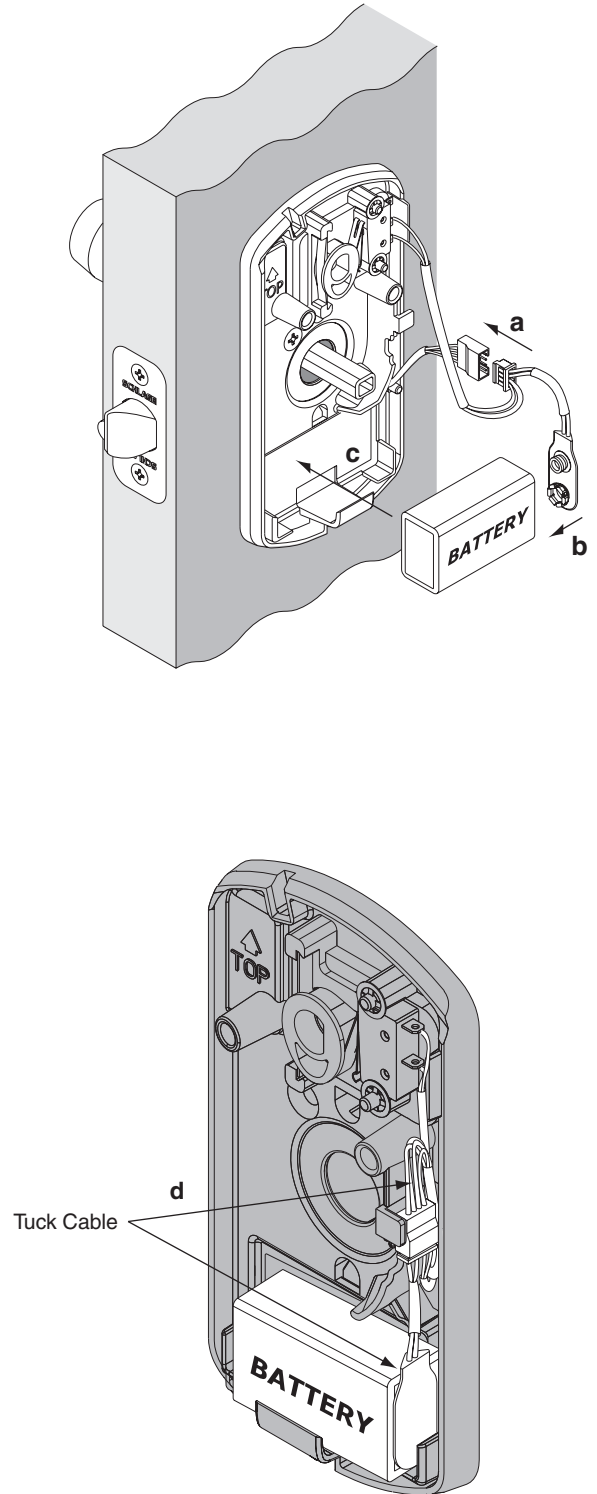
**IMPORTANT:** Latch bevel must face door jamb.



### 5 Install Keypad Assembly

**IMPORTANT:** Cable must slide under latch.

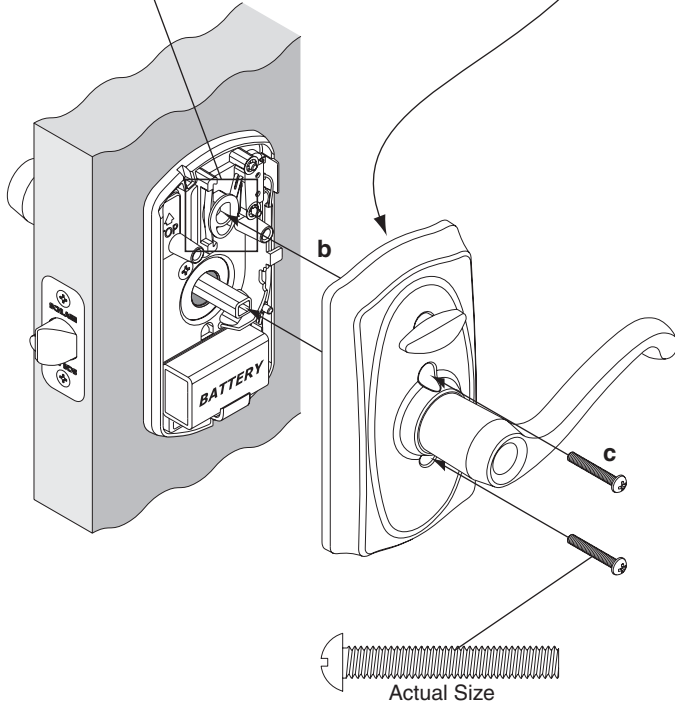
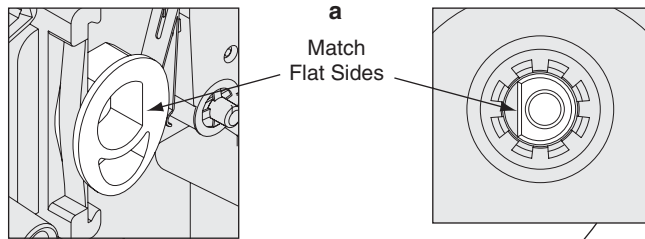


**6****Install Inside Mounting Plate****IMPORTANT:** Pull excess wire through mounting plate.**7****Install Battery and Connect Cables****IMPORTANT:** Cable must be routed and tucked as shown.

8

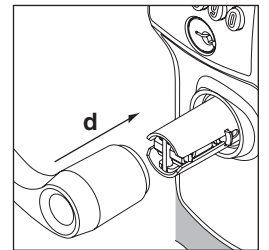
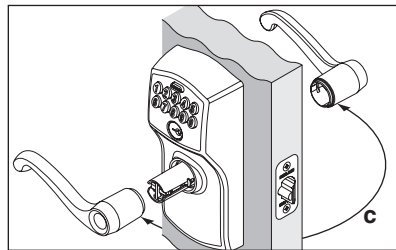
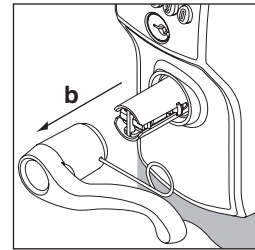
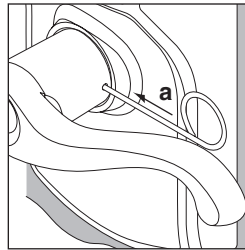
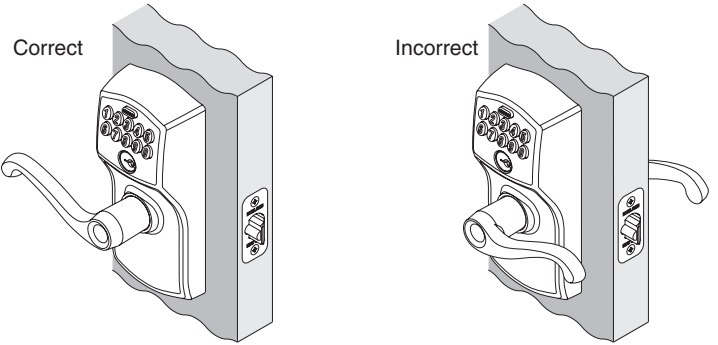
### Install Inside Thumbturn Assembly

**Note:** Lock should be straight on door before tightening screws.



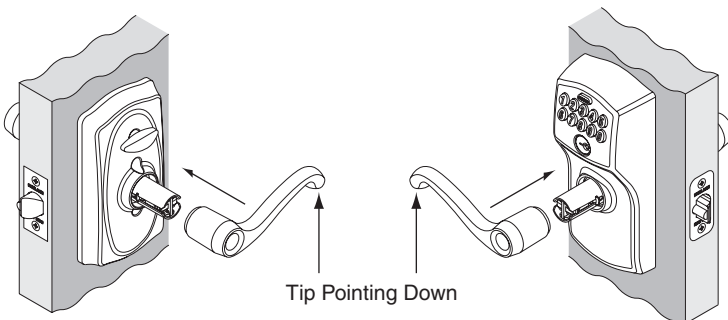
10

### If Needed, Change Levers



9

### If Needed, Install Knobs/Levers



10

### Install Strike onto Door Jamb

