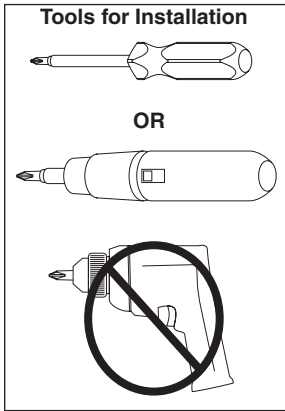
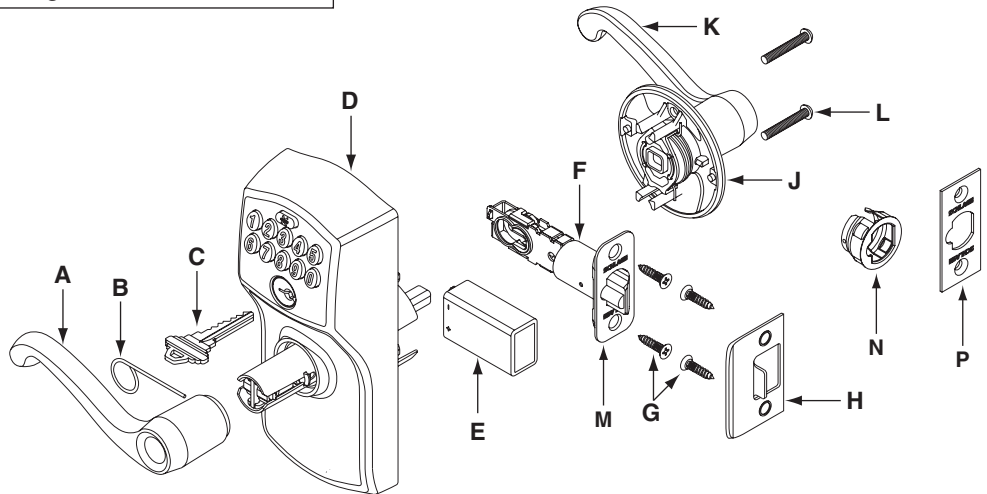


P515-481



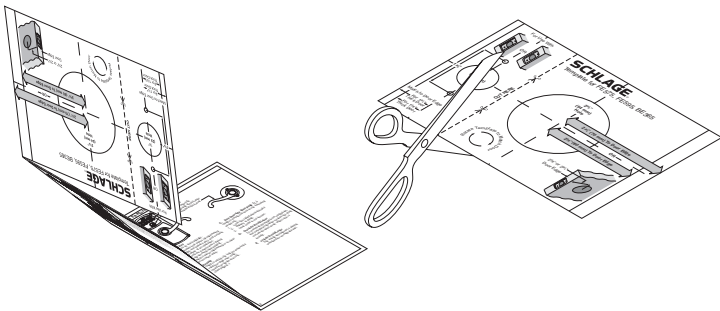
**STOP** Keep the programming booklet with you while installing lock. Without the user codes, you can get locked out.



- A. Outside Knob/Lever
- B. Pin Wrench
- C. Key
- D. Keypad Assembly
- E. 9V Battery
- F. Latch
- G. Latch/Strike Screws
- H. Strike
- J. Inside Assembly
- K. Inside Knob/Lever
- L. Mounting Screws
- M. Rounded Corner Faceplate
- N. Drive-in Faceplate
- P. Square Corner Faceplate

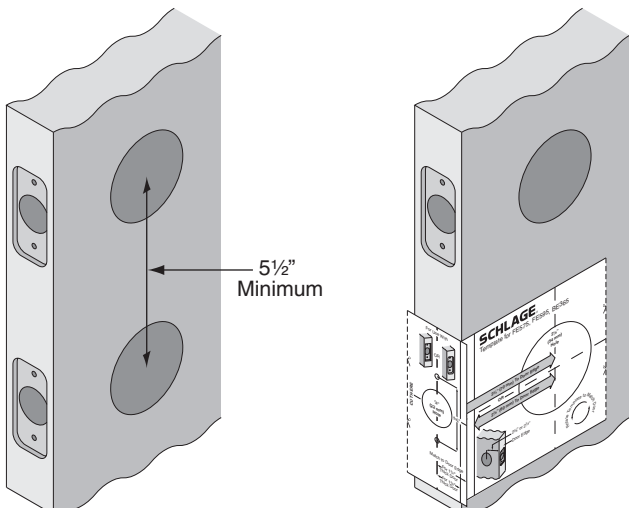
### Install Lock

#### 1 Remove Template From Booklet

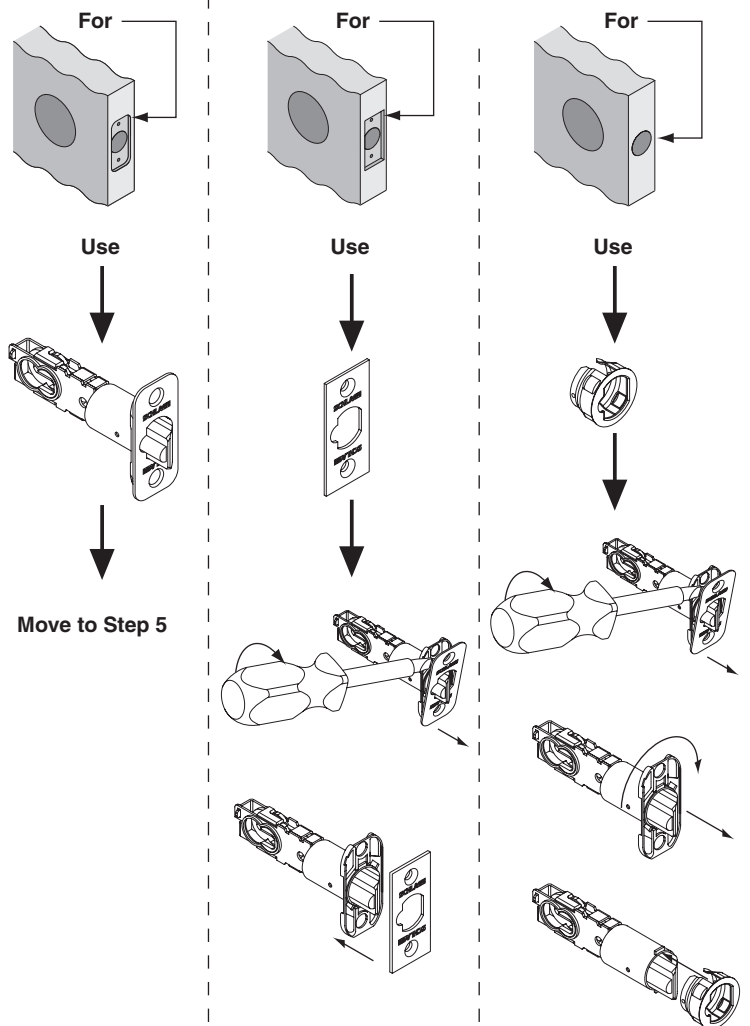


#### 2 Check Door Holes

**Note:** If door holes do not match template, visit [www.schlage.com](http://www.schlage.com) for door drilling instructions.

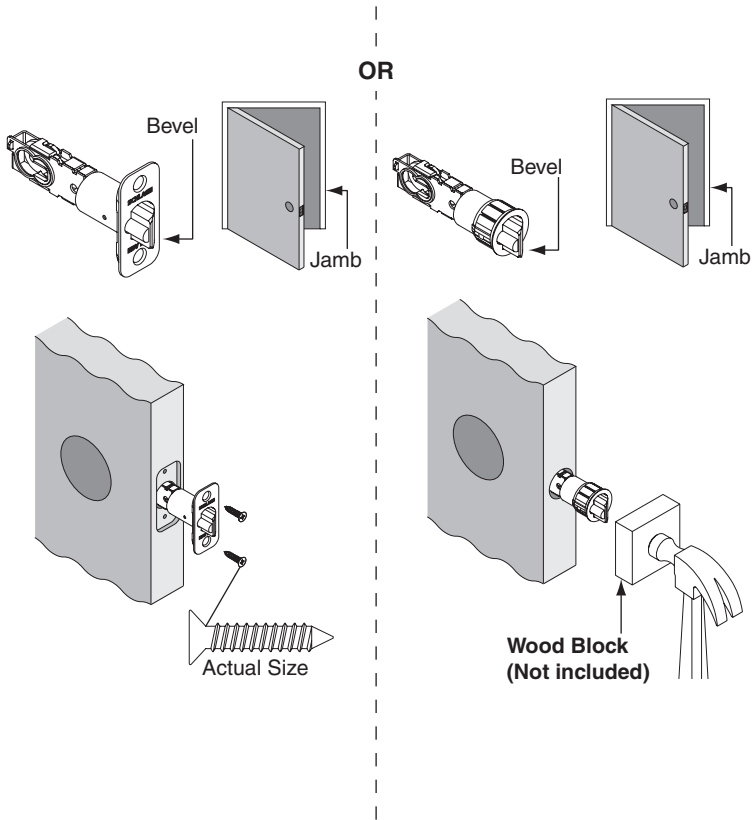


#### 3 Choose Deadbolt Faceplate

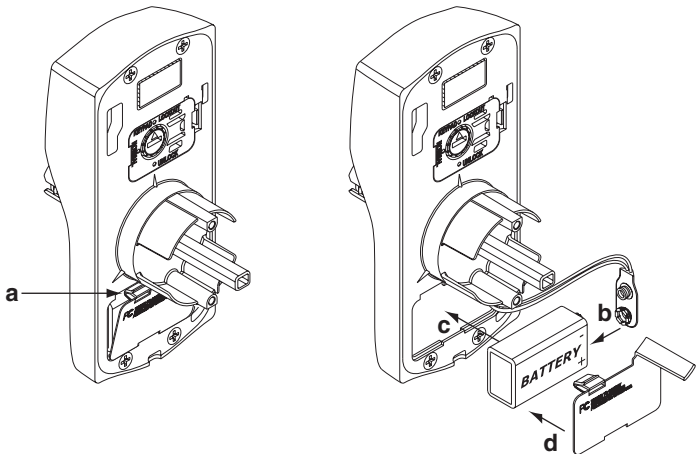


#### 4 Install Latch

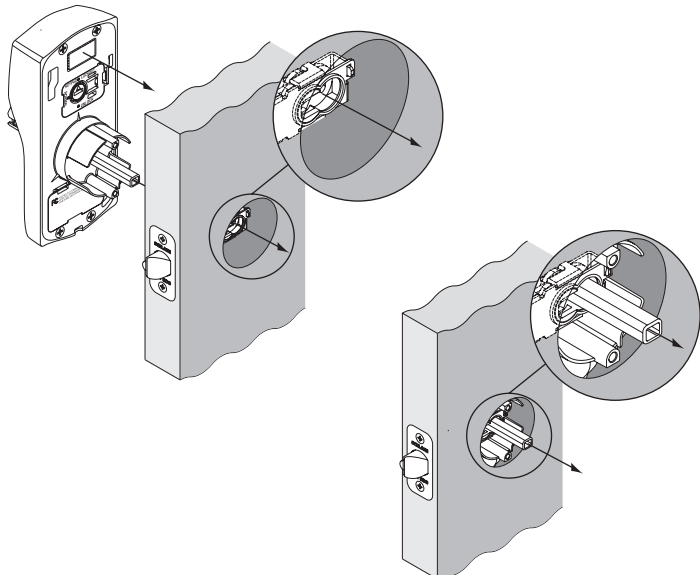
**IMPORTANT:** Latch bevel must face door jamb.



#### 5 Install Battery

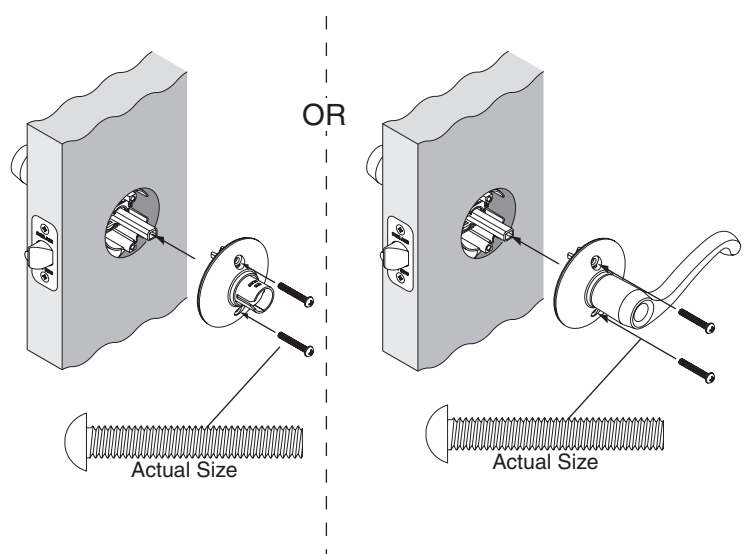


#### 6 Install Keypad Assembly

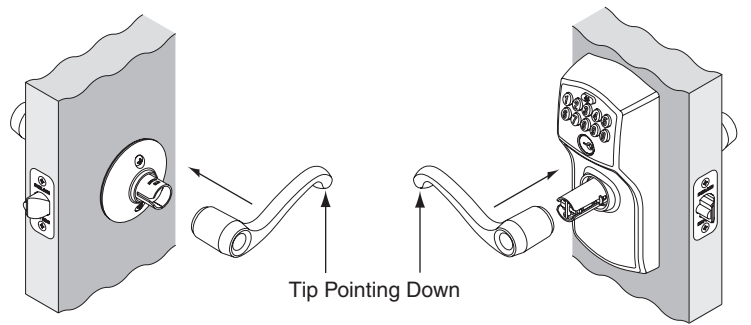


#### 7 Install Inside Assembly

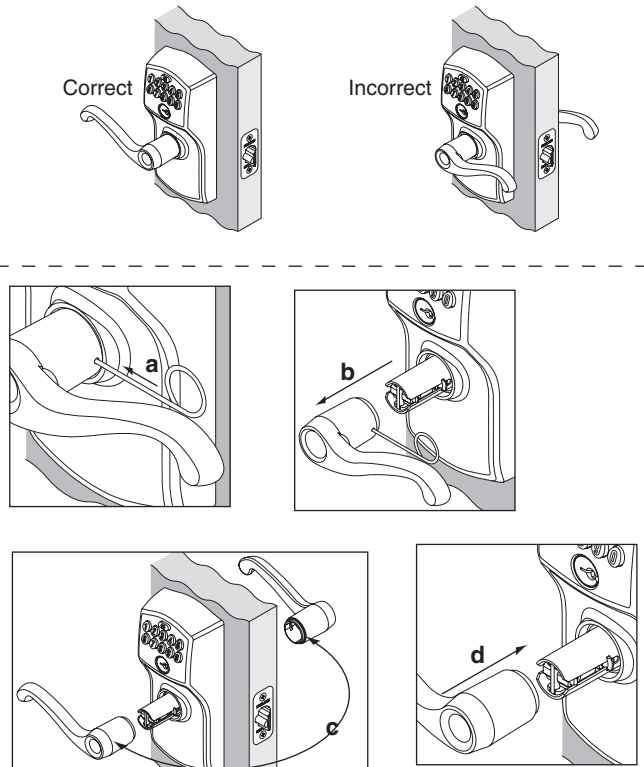
**Note:** Lock should be straight on door before tightening screws.



#### 8 If Needed, Install Knobs/Levers



#### 9 If Needed, Change Levers



#### 10 Install Strike onto Door Jamb

