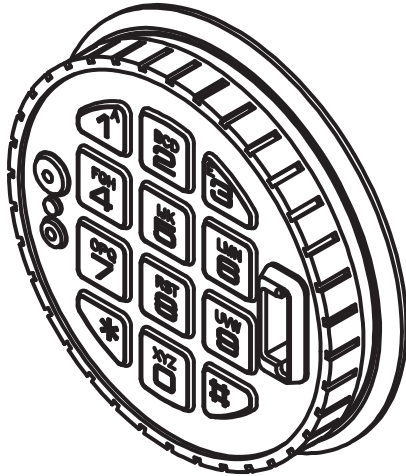


Electronic Entry Device

USER OPERATING INSTRUCTIONS



FEATURES

See Manager Instructions for additional features.

USER COMBINATION

- Open Lock
- Change Combination

WRONG TRY PENALTY

- Four (4) consecutive invalid combination initiates five (5) minute delay period.

LOW BATTERY WARNING

- Repeated LED flashing and beeping during opening indicates battery is low and needs immediate replacement.

AUDIO AND VISUAL SIGNAL

- Double signal - two (2) LED flashes and two (2) beeps - indicates entry is valid or accepted.
- Triple signal - three (3) LED flashes and three (3) beeps - indicates invalid or not accepted.

OPENING THE LOCK

1. Enter valid combination (and insert eKEY, if set up).
 2. The lock will signal a valid combination entry with a double signal.
 3. Within four (4) seconds, turn the keypad to the open position (clock-wise) if using a dead bolt style lock, or turn the handle to the open position if using a swing bolt style lock.
 4. Pull door open.
- **Invalid Code Entry** - Lock will signal three (3) times.

WRONG TRY PENALTY

- Entry of four (4) consecutive invalid combinations starts a 5-minute delay period.
 - LED flashes red at ten (10) second intervals.
- At the end of the delay period, two more consecutive invalid combinations will restart the five (5) minute delay period.

During delay period a single keystroke will respond with three signals.

CHANGING YOUR COMBINATION

ALWAYS PERFORM THIS OPERATION WITH THE DOOR OPEN

1. Enter existing code and **hold down the last digit until unit double signals twice and the LED stays on**. If eKEY is set up, enter existing combination, then insert and hold eKEY until unit double signals twice and the LED stays on.
2. Press the "0" key.
3. Enter your NEW combination two times (and insert eKEY, if set up).
4. If a mistake is made wait thirty (30) seconds and repeat steps **1 - 3**.
5. Test lock operation several times before closing the door.

CAUTION: When selecting a combination do not use birthday or other predictable data that could give correlation between the user and combination. Keep the combination secret.

- **Valid Combination Entry** - Double signal after valid combination is entered.
- **Invalid Combination Entry** - Triple signal indicates the old combination is still valid.

BATTERY LOW WARNING

Repeated LED flashing and beeping during an opening indicates that the battery is low and needs immediate replacement.

Use only alkaline batteries (Example: Duracell™ or Eveready™ alkaline batteries)

- Use one (1) 9-Volt alkaline battery in the Small Battery Box or six (6) “C” cell alkaline batteries in the Large Battery Box.

It is recommended that batteries be replaced at least once a year.

If the battery is depleted and will not allow the lock to open:

- Hold a new 9-Volt alkaline battery on the contact points located on the front of the keypad (large battery terminal to large keypad contact, small battery terminal to small keypad contact).
- Enter a valid combination to open the lock (see **OPENING THE LOCK**).

NOTE: You must maintain battery contact at all times throughout the procedure.

Change batteries as directed below.

The lock contains a non-volatile memory, and even with batteries removed, the lock will retain all programming.

CHANGING BATTERIES

Small Battery Box:

1. Open safe door.
2. Remove battery box cover by pulling the front portion away from the safe door.
3. Remove battery by unsnapping it from the connector.

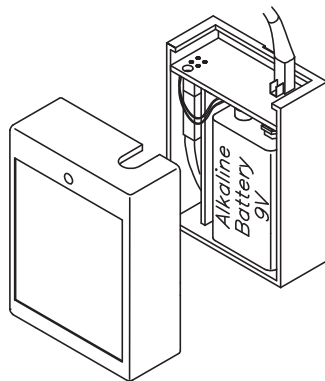
CAUTION! Hold onto the battery connector to avoid pulling the wires out of the board.

4. Connect a new 9-Volt alkaline battery to the battery connector.
5. Push the battery and the leads completely into the battery compartment.
6. Replace the cover and test the lock several times before closing the door.

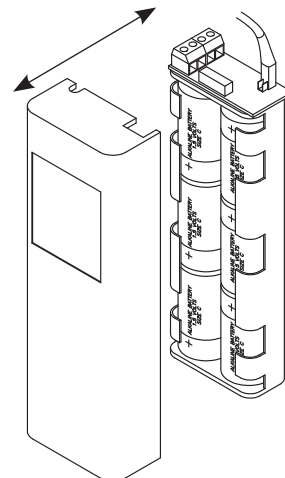
Large Battery Box:

1. Open safe door.
2. Remove battery box cover by pulling the front portion away from the safe door.
3. Remove the six old “C” cell alkaline batteries.
4. Insert six new “C” cell alkaline batteries
5. Replace the cover and test the lock several times before closing the door.

Mounting Instructions available at www.kaba-mas.com.



2788 Small Battery Box or
2789 Small Battery/Alarm Box



4001 Large Battery Box or
4002 Large Battery/Alarm Box