

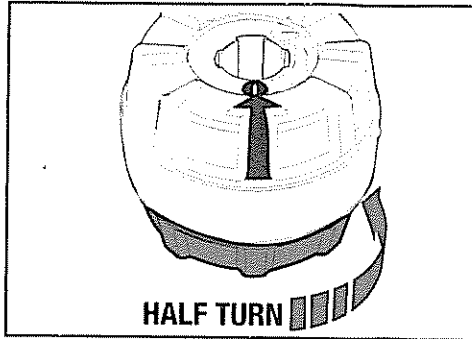
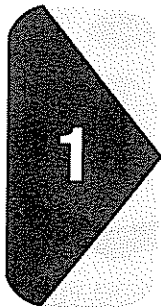
SMARTKEY

Customized Security™

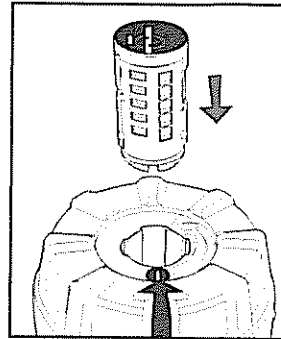
Seguridad Personalizada™



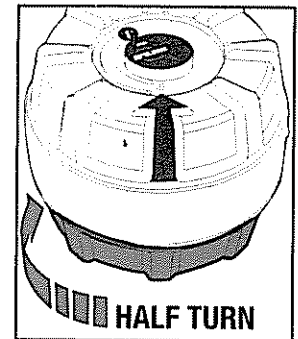
SMARTKEY RESET CRADLE



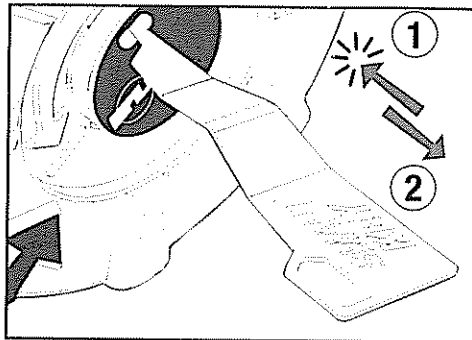
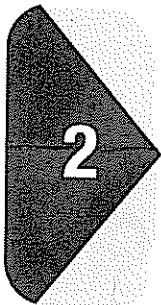
A Before you begin, rotate lower dial to the right till it stops to align arrow on upper grip with start point ① on inner dial.



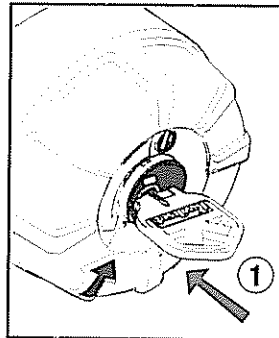
B Insert cylinder all the way into the inner dial



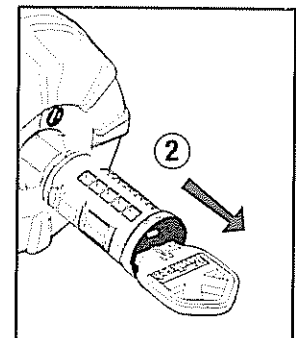
C Rotate lower dial half turn to the left till it stops, where the two arrows meet.



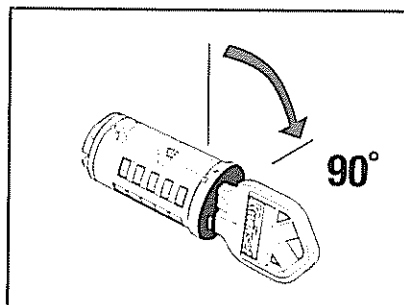
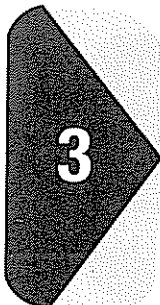
A Insert the SmartKey tool into the small hole (next to the keyway) on the cylinder face, and push with force till it goes all the way in, then remove the SmartKey tool.



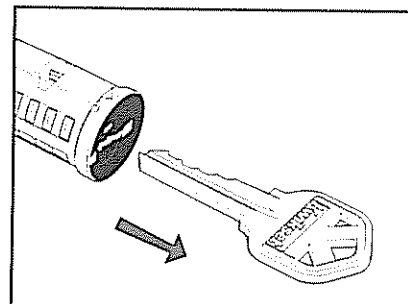
B Insert the key you want to learn in the plug, while being sure not to rotate the plug



C Remove the plug from the reset cradle by gently pulling on the key.



A While holding the cylinder body stationary, rotate the key back to the home position



B Remove the key.



C Reinstall cylinder in product

CAUTION To avoid risk of laceration injury, keep reset cradle out of the reach of children and DO NOT insert finger in the center dial hole.