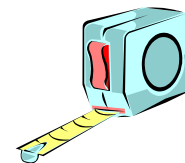




IMPORTANT



Templates must be printed without size modifications and verified for dimensional accuracy.

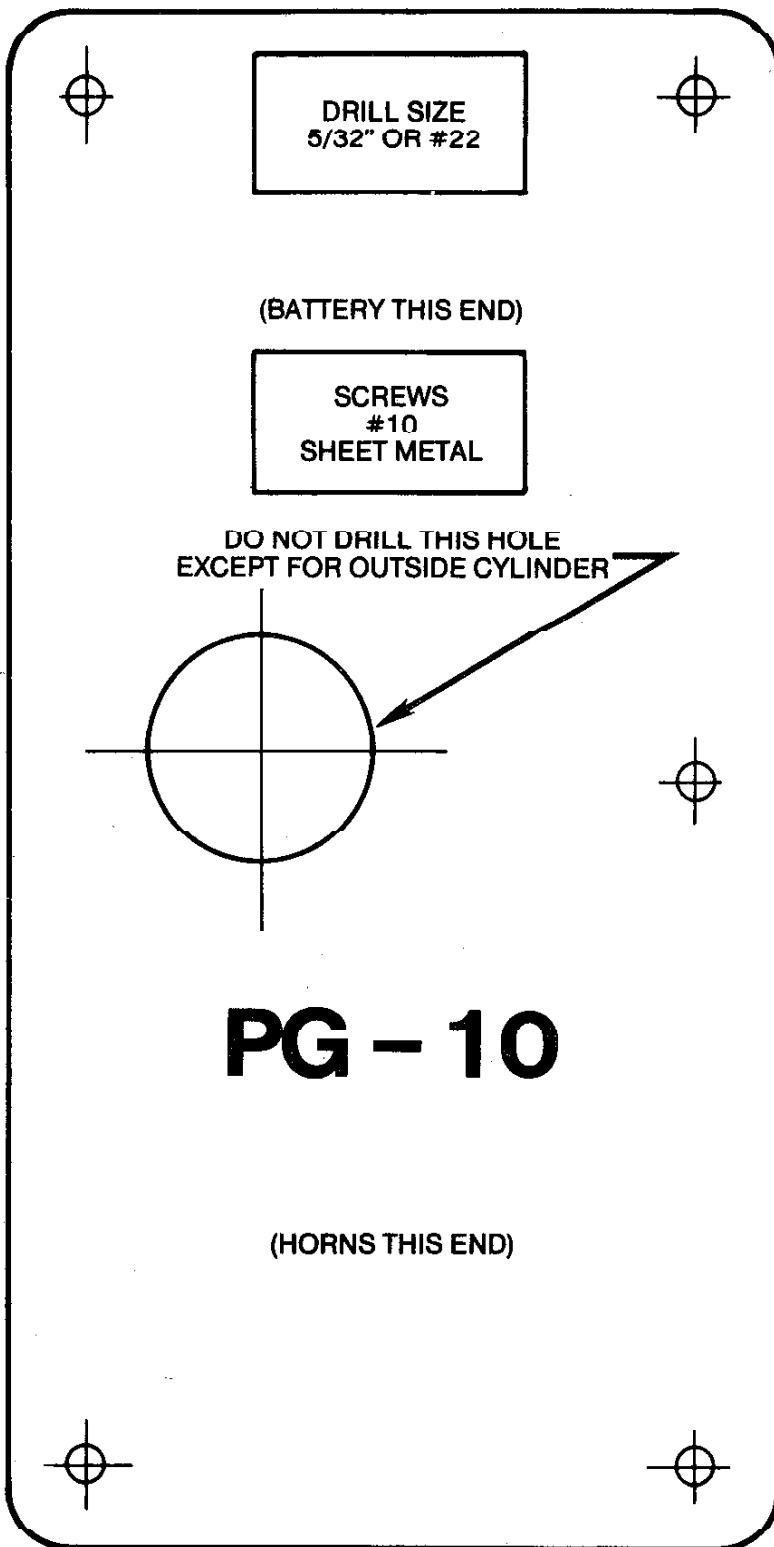
- Before printing, select the printing options necessary to ensure that copies are produced without size adjustments.
- After printing, measure the dimensions indicated on the template to ensure correct scale.

INSTALLATION TEMPLATE

ONLY 

FOR SINGLE OUTSWINGING DOORS
RIGHT OR LEFT HAND - ALSO TOP MOUNT

 **ONLY**



FOLD UP ON SOLID LINE AND
HOLD AGAINST DOOR AND STOP




MARK FOR ALARM
AND ACTUATOR



ALARM LOCK CORPORATION

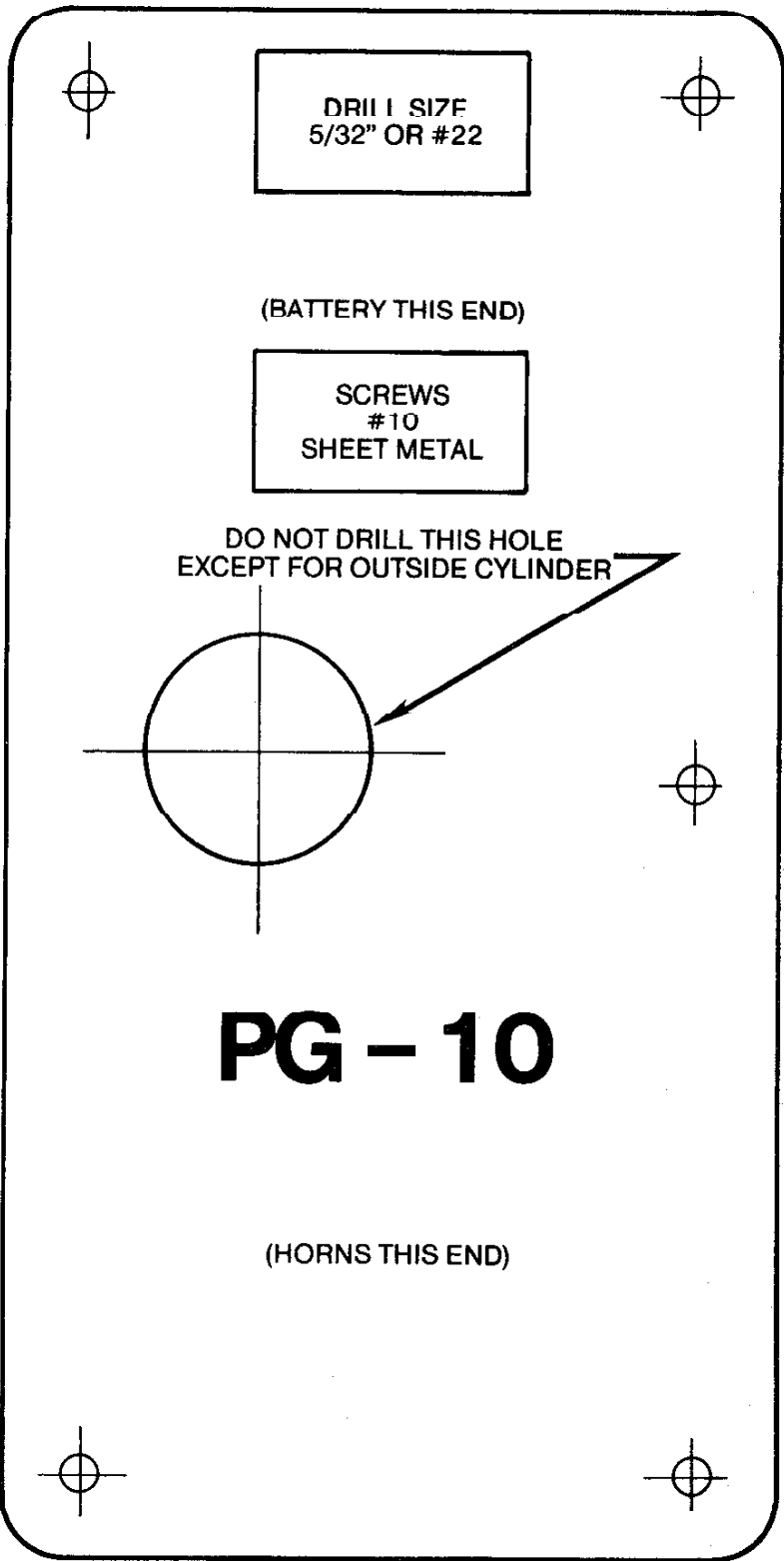
333 BAYVIEW AVE. AMITYVILLE, N. Y. 11701

INSTALLATION TEMPLATE

ONLY 

FOR PAIRS OF OUTSWINGING DOORS
FOR PAIRS OF INSWINGING DOORS
FOR SINGLE INSWINGING DOORS
RIGHT OR LEFT HAND

 **ONLY**



LAY FLAT ON DOOR WITH SOLID LINE
EDGE OF INACTIVE DOOR (OR DOOR FRAME)



DO NOT FOLD UP
USE FLAT ON DOOR