



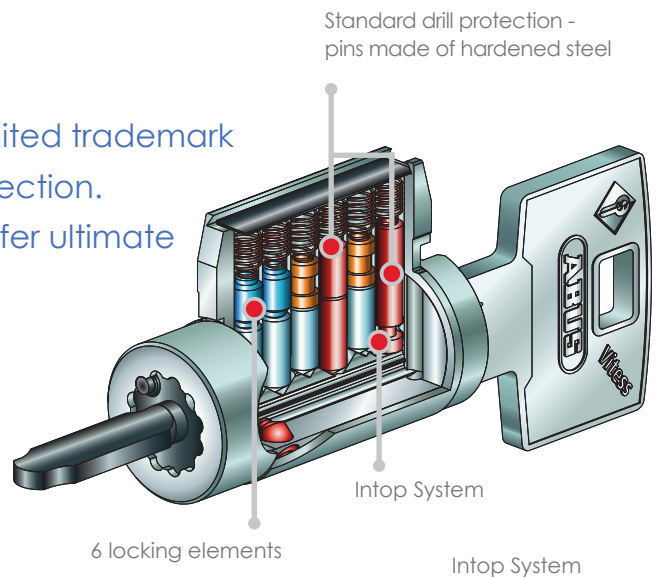
ABUS High Security Vitess Restricted Locking System

ABUS locking systems are ideal for programs of various sizes, from small to large master key systems. The range covers keyed alike cylinders, small and medium master key systems, as well as large grand master key systems. If requested, the planning and calculation of the grand master key system can be done by ABUS.

All cylinders have a core diameter of 14mm (0.55"). This increased diameter enables a very large number of combinations inside of the cylinder, making very large and complex grand master key systems with ABUS possible. These locking systems offer 1.5 million true key differs!

Features:

- Unique combination of patent protection, unlimited trademark protection and highest technical key copy protection.
- The curved precision profile and Intop system offer ultimate picking protection.
- Curved key profile offers increased stability.
- Patented Intop system.
- 6 locking elements.



Talk with an IML Representative for details

arizona - california - colorado - nevada - utah - washington

